

CATSKILL

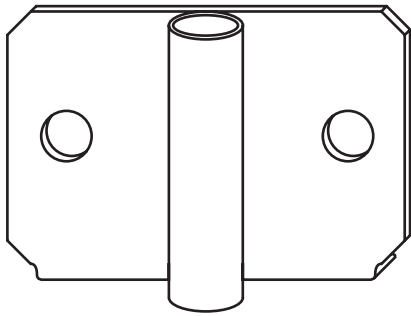
C R A F T S M E N , I N C .

Assembly Instructions
Rol-Rack/Bookmaster
Models:
3310 3311 3312 3313
3320 3321 3322 3323

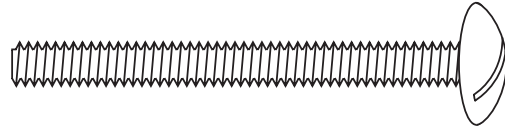


GENERAL: Sides are universal. Shelves are universal. Before beginning assembly , inspect the sides and determine if you have preference as to which side will face out. When tightening machine screws/nuts be careful not to mar the surface with the screwdriver.

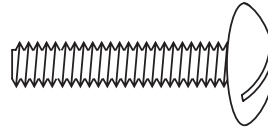
HARDWARE



Wheel Bracket (4)



2 1/2" Machine Screw (16)



1 1/4" Machine Screw (8)



1/4" Nut with Preattached washer (16)



1/4" Flange Nut (8)

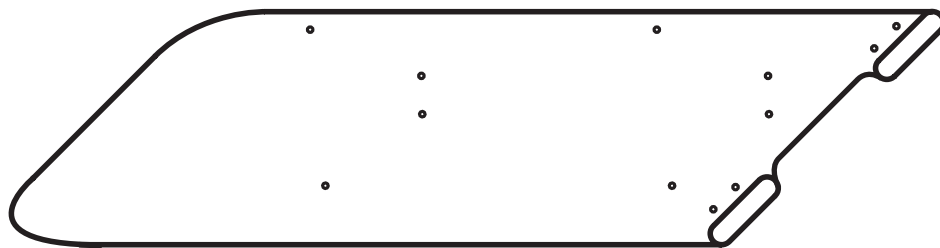


3" Wheel (4)

ROL_RACK/BOOKMASTER PARTS

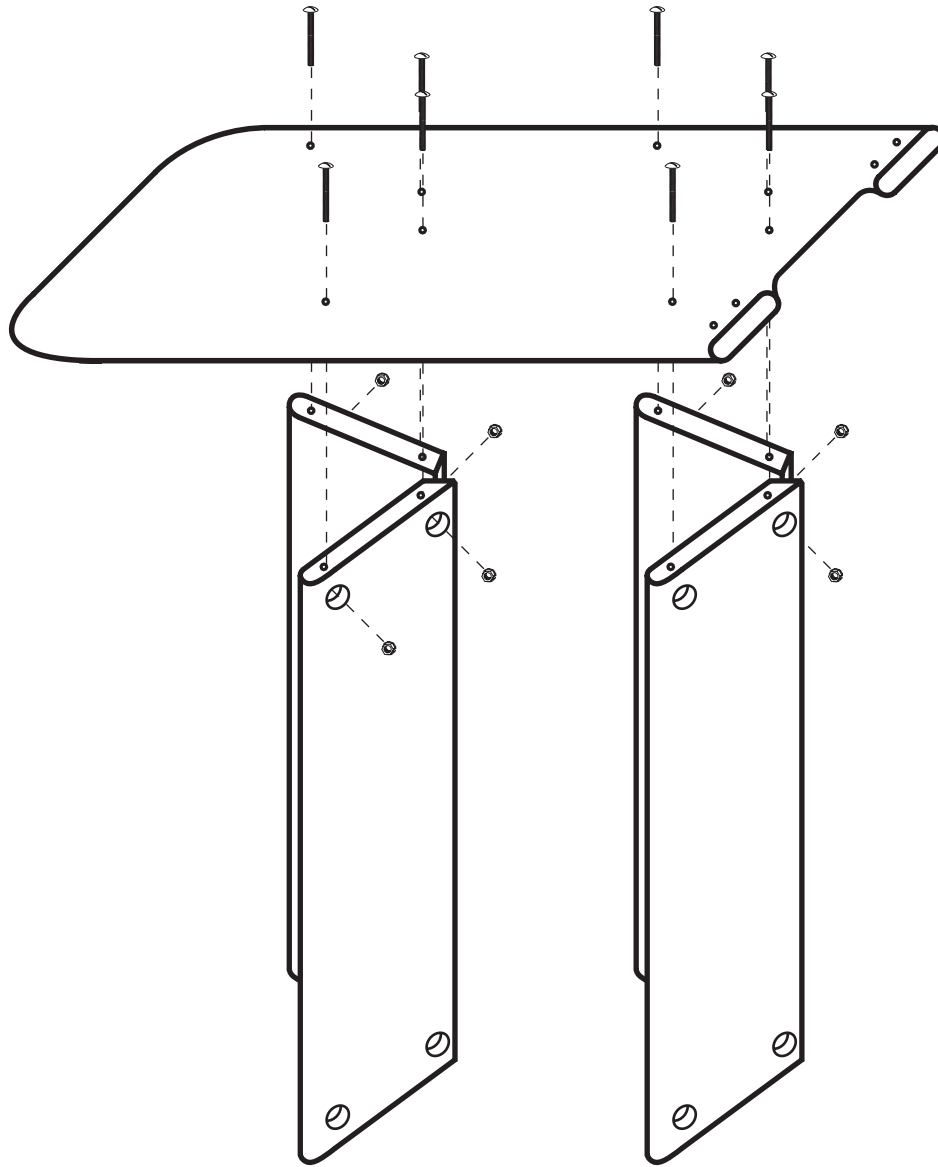


Rol-Rack/Bookmaster Shelf (4)

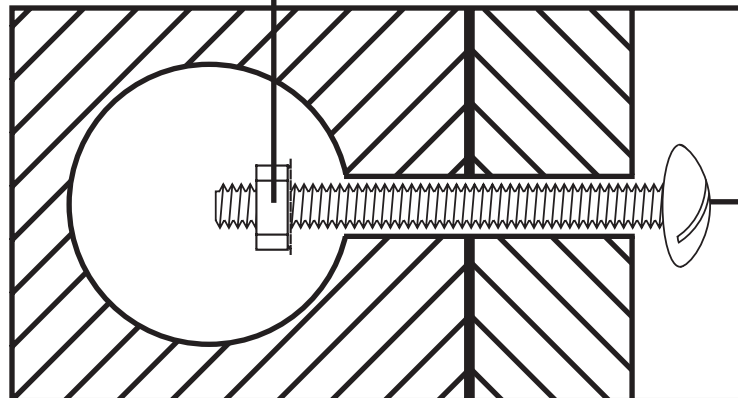


Rol-Rack/Bookmaster End (2)

STEP 1

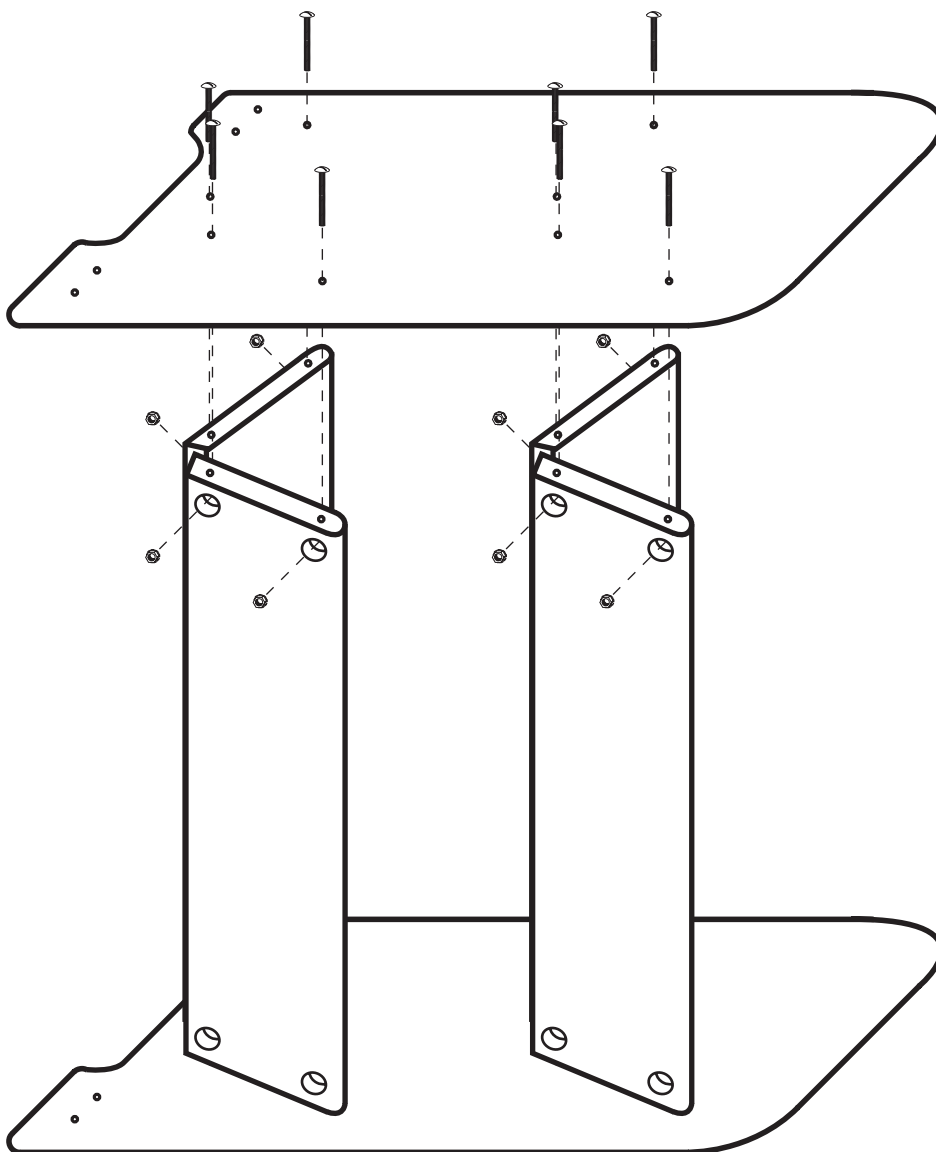
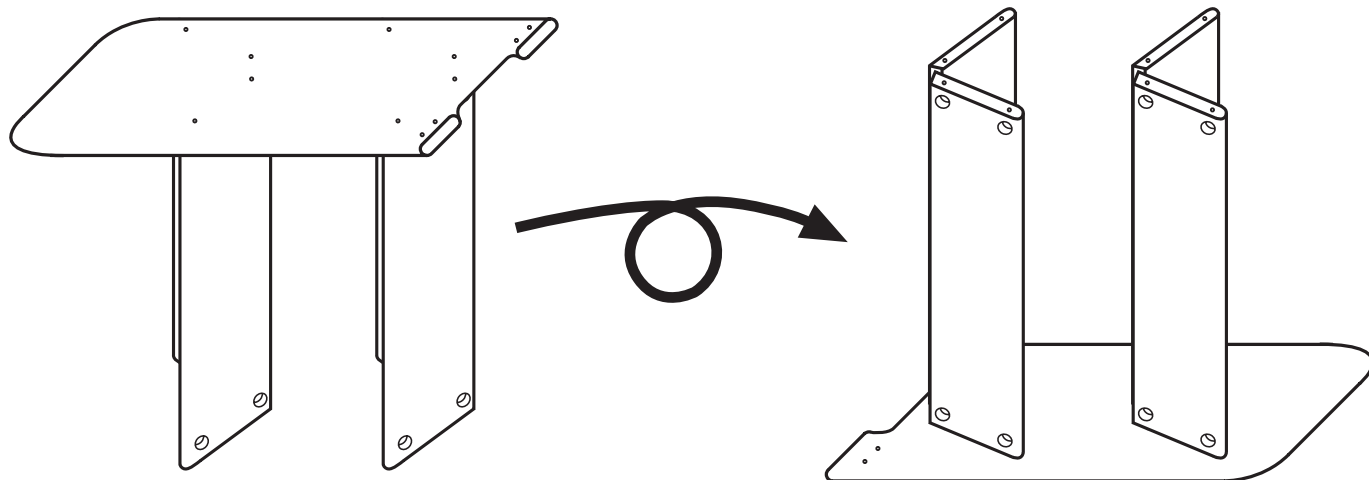


1/4" Nut with Pre-Attached Lockwasher

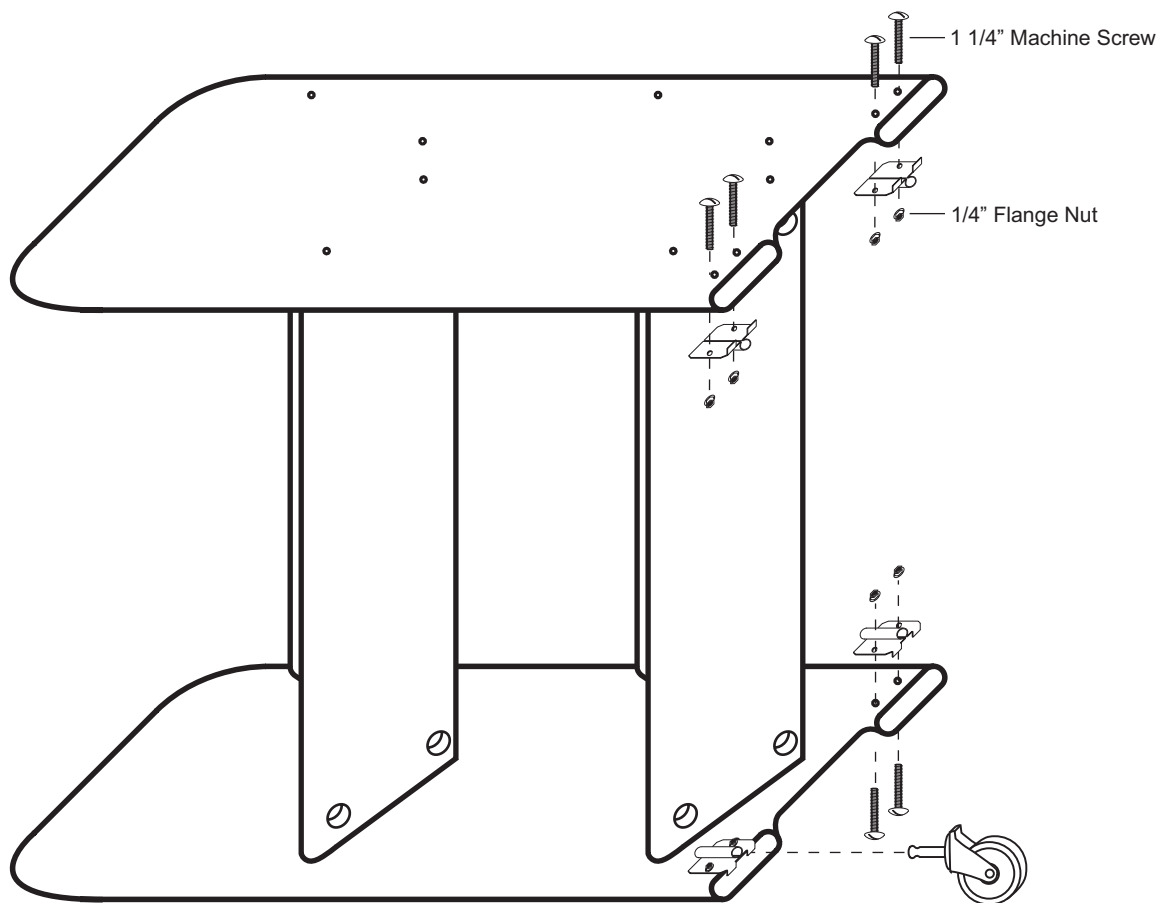


2 1/2" Machine Screw

STEP 2



STEP 3



FINISHED

110607

