

# CATSKILL

C R A F T S M E N , I N C .

## Assembly Instructions

### Book Truck

#### Models:

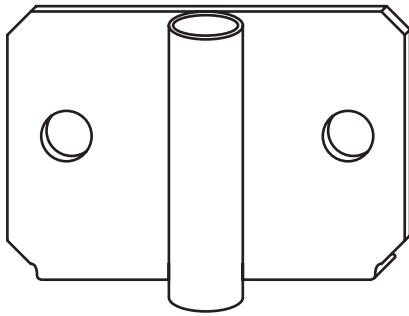
**3314 3315**

**3324 3325**

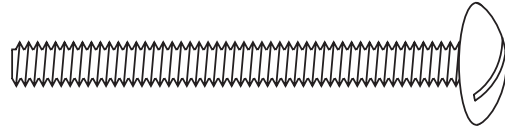


**GENERAL:** Sides are universal. Shelves are universal. Before beginning assembly , inspect the sides and determine if you have preference as to which side will face out. When tightening machine screws/nuts be careful not to mar the surface with the screwdriver.

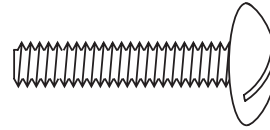
# HARDWARE



Wheel Bracket (4)



2 1/2" Machine Screw (12)



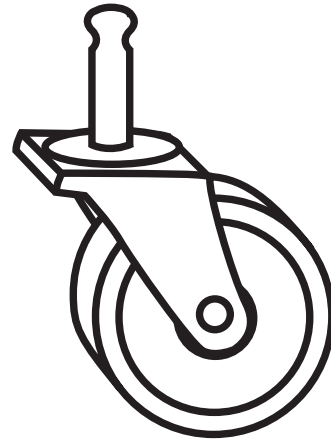
1 1/4" Machine Screw (8)



1/4" Nut with Preattached washer (12)



1/4" Flange Nut (8)

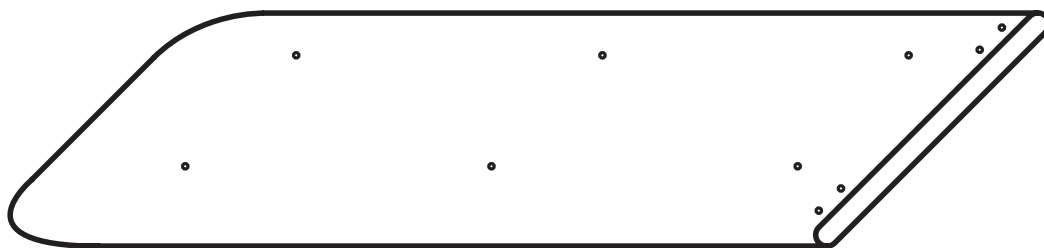


4" Wheel (4)

# BOOK TRUCK PARTS

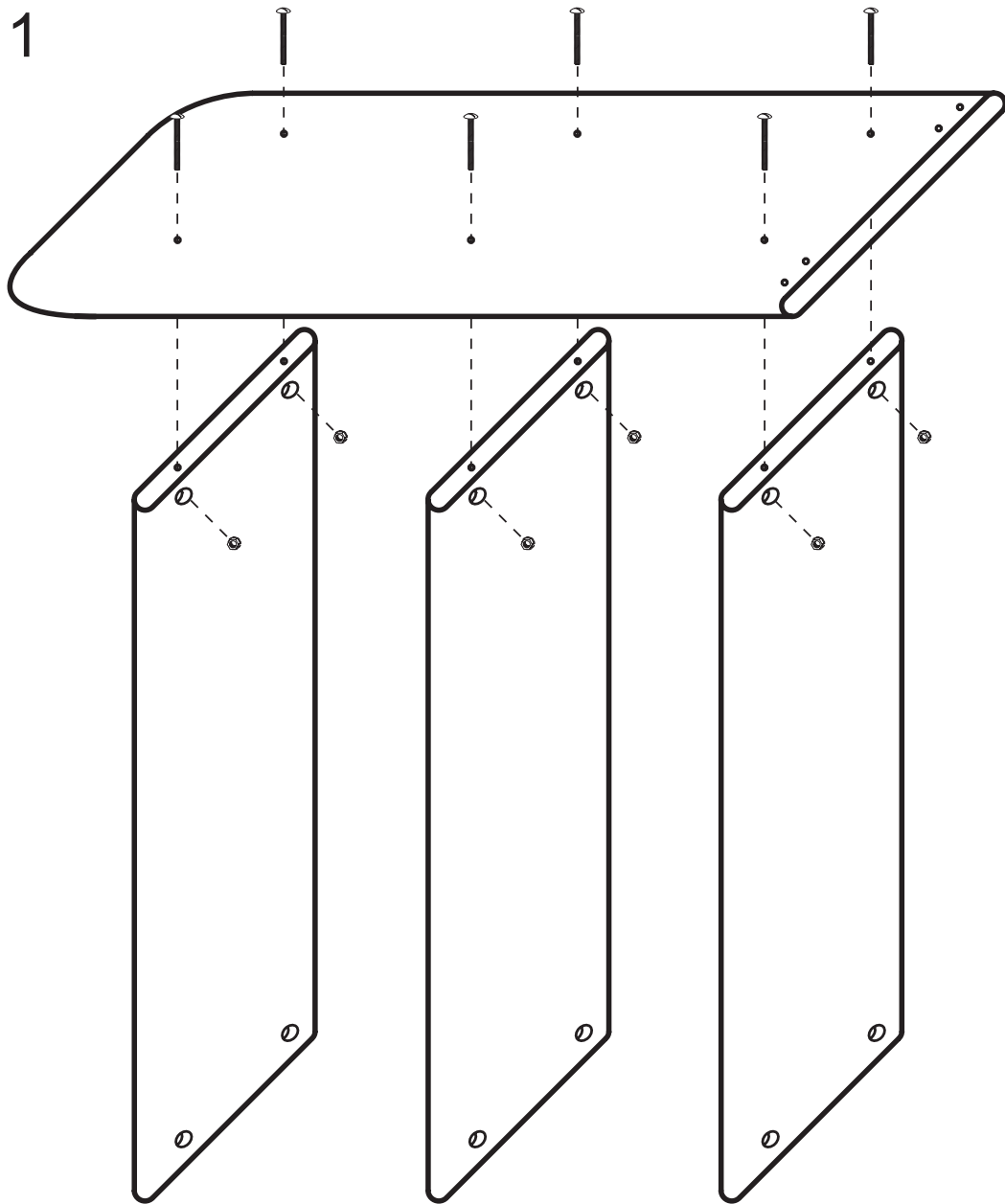


Book Truck Shelf (3)

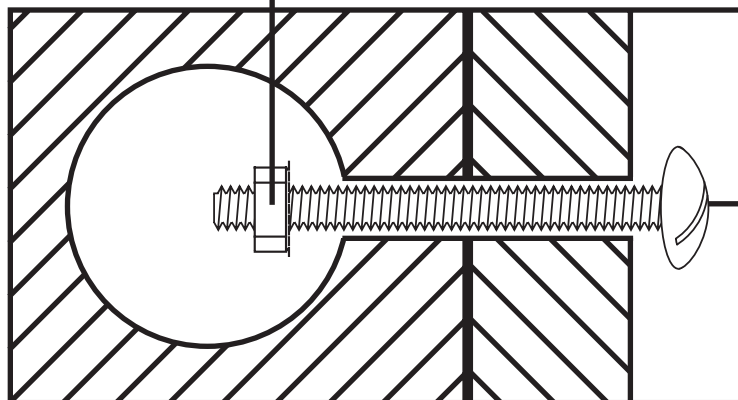


Book Truck End (2)

# STEP 1

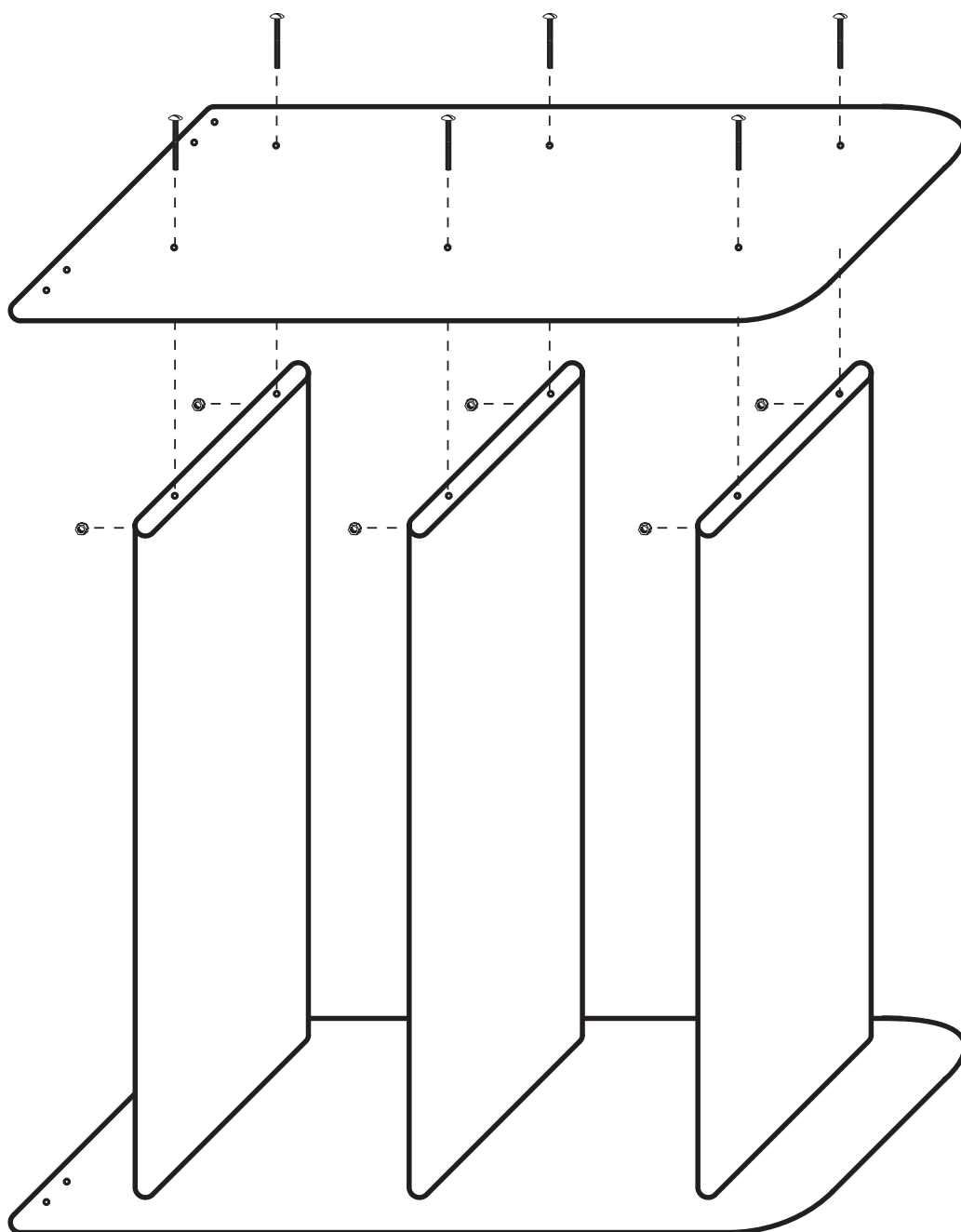
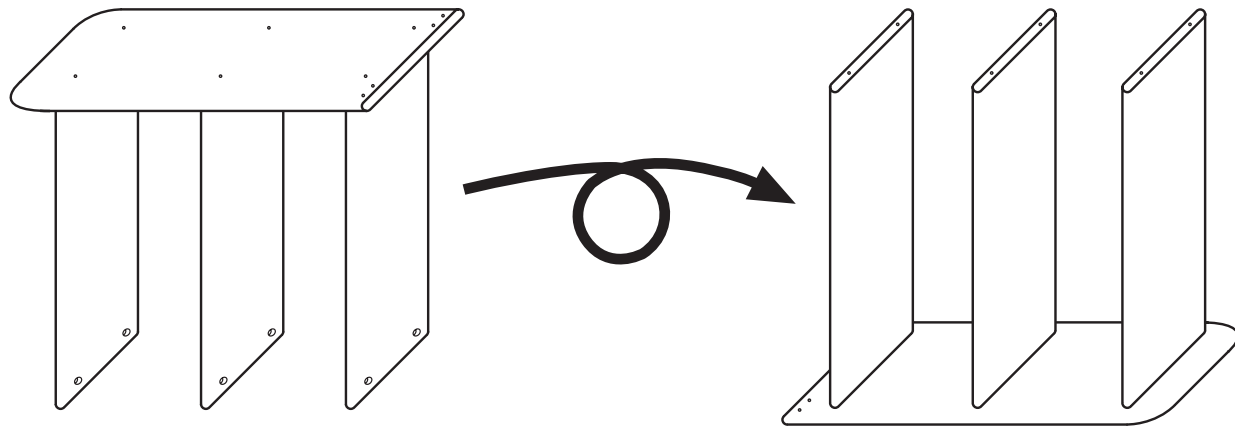


1/4" Nut with Pre-Attached Lockwasher

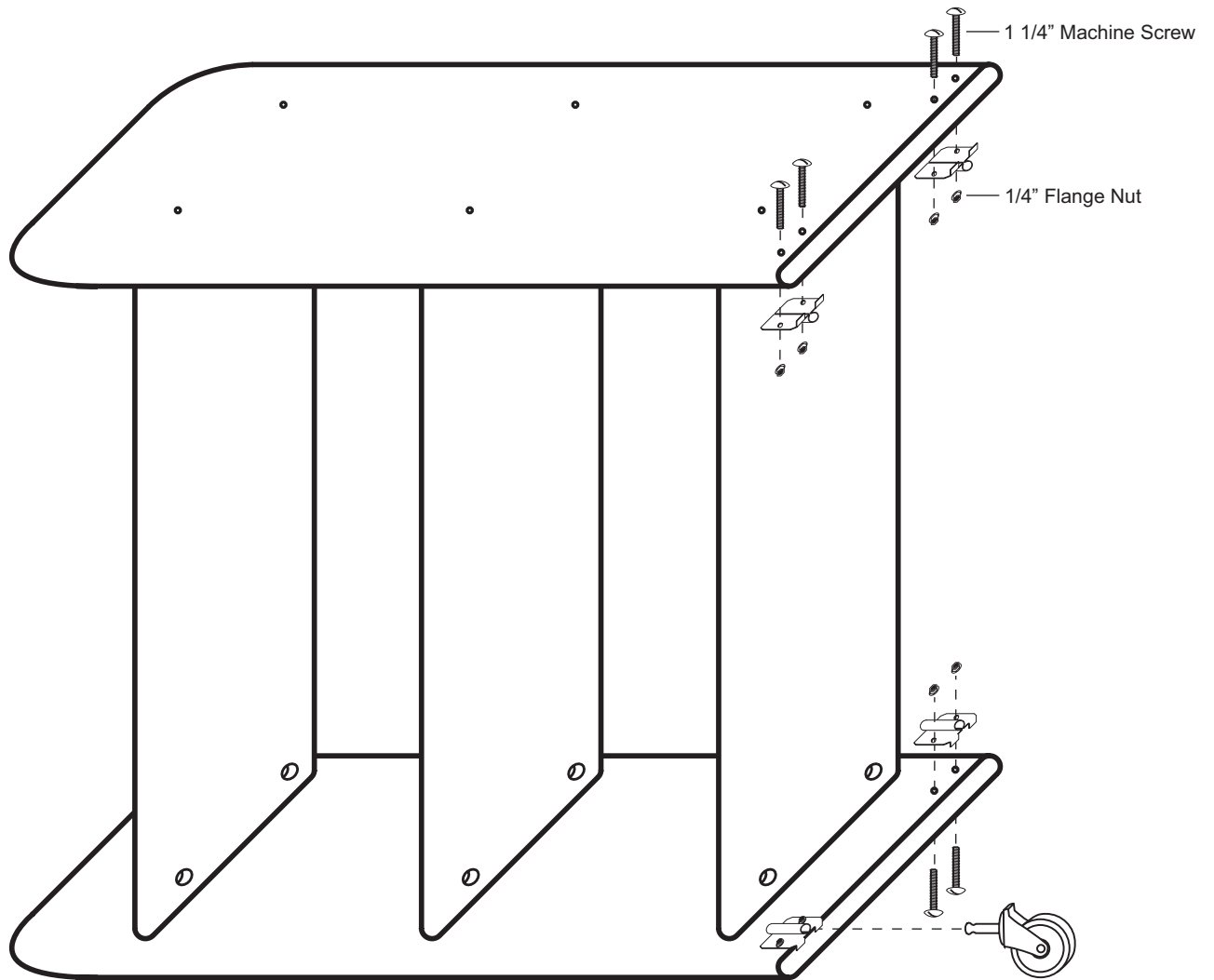


2 1/2" Machine Screw

# STEP 2



# STEP 3



FINISHED

102907

