

80030 Kitchen Utility Cart

Assembly Instructions

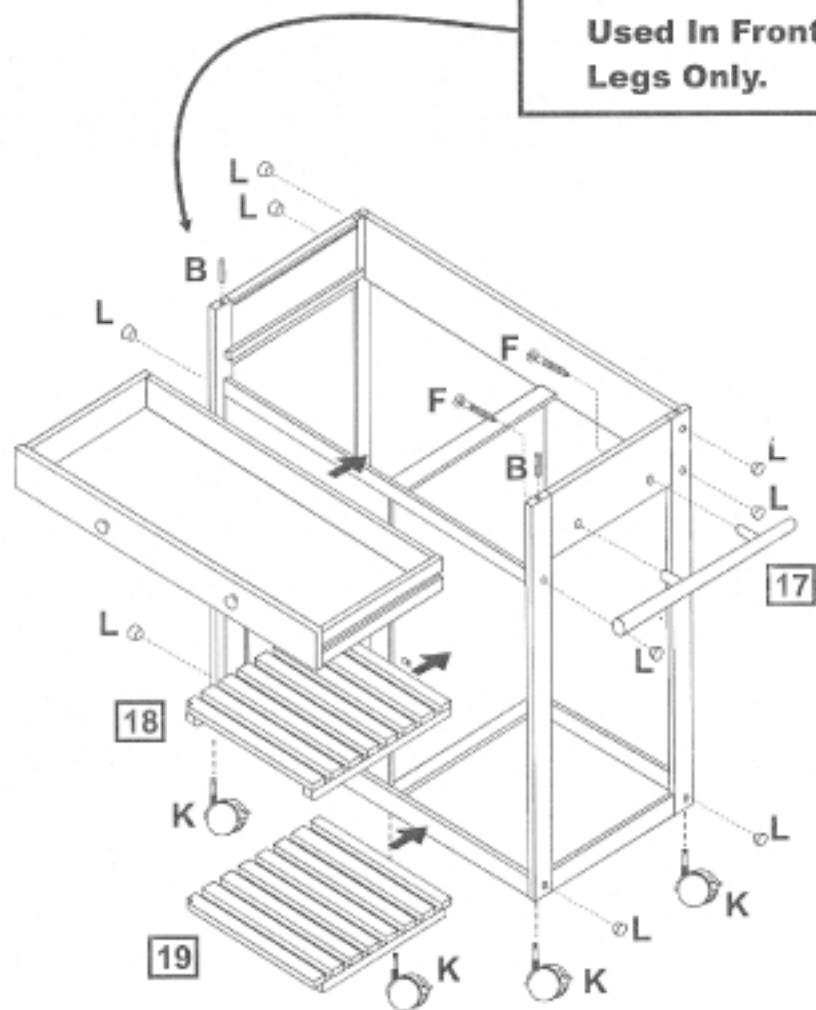
HARDWARE									
A	Allen Wrench M4 x1	1		7		11		16	
B	Wood Dowel M7.8 x 30mm x2	2		8		12		17	
C	JCBC M6 x 40mm x10	3		9		13		18	
D	THMS Screw M4 x 30mm x2	4		10		14		19	
E	THCB Screw M4 x 16mm x4	5		11		15		20	
F	Screw M4 x 30mm x14	6							
G	Metal Pin M6 x 38mm x8								
H	Door Hinge L-115 x2								
J	'Z' Bracket G-142 x4								
K	2" Locking Caster x4								
L	Wood Button M13.5 x10								
M	Knob 8701 x2								
N	Magnet x1								
P	PHCB Screw M3.5 x 15mm x2								
R	Wood Screw M4 x 25mm x4								
S	Drawer Front Block Left & Right x2								

IMPORTANT! DO NOT TIGHTEN SCREWS OR BOLTS UNTIL COMPLETELY ASSEMBLED!!

Customer Service 0607-6527321

9

B Positioning Dowel Are Used In Front Legs Only.



10

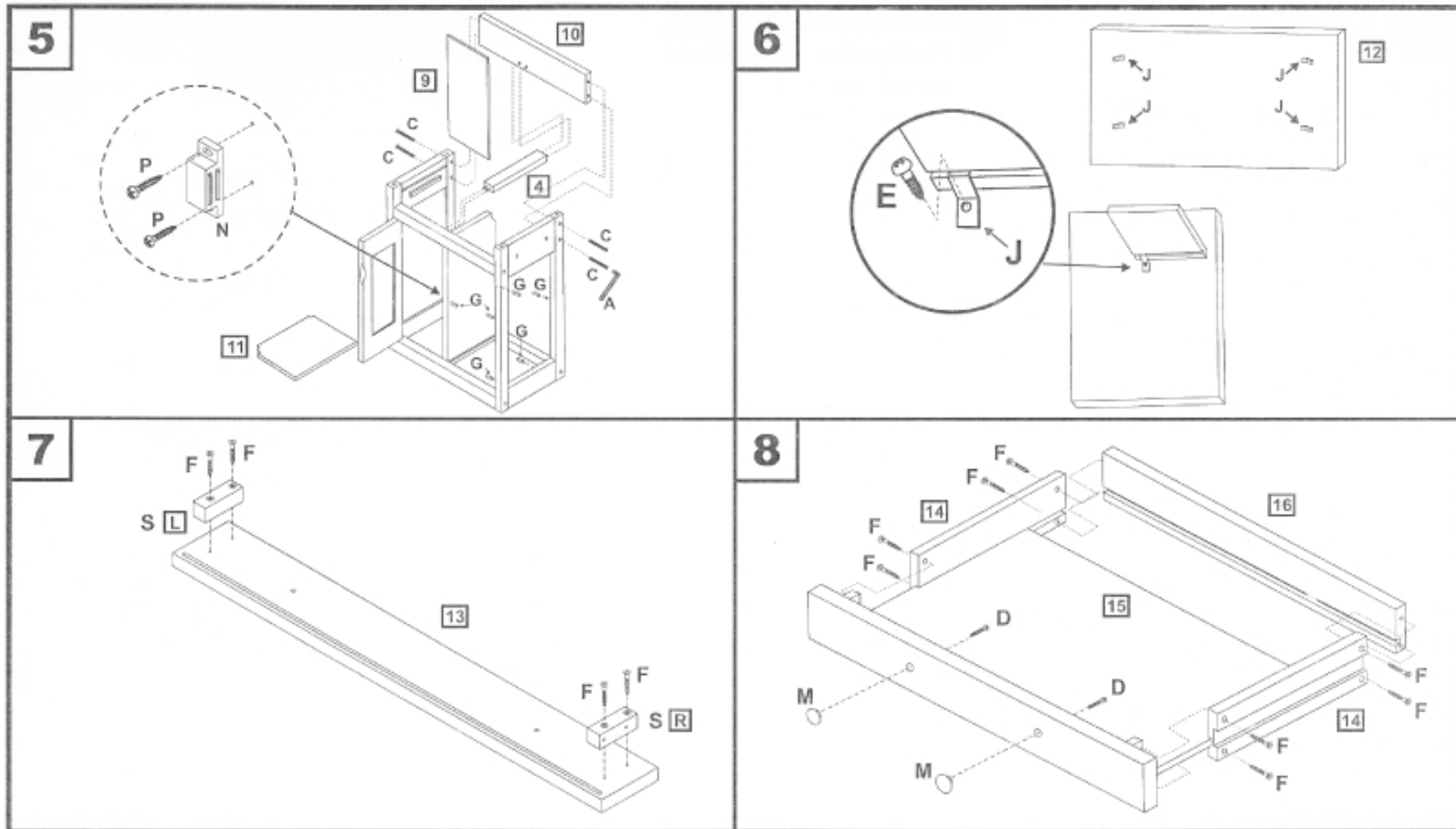


IMPORTANT! DO NOT TIGHTEN SCREWS OR BOLTS UNTIL COMPLETELY ASSEMBLED!!

Customer Service 0607-6527321

80030 Kitchen Utility Cart

Assembly Instructions

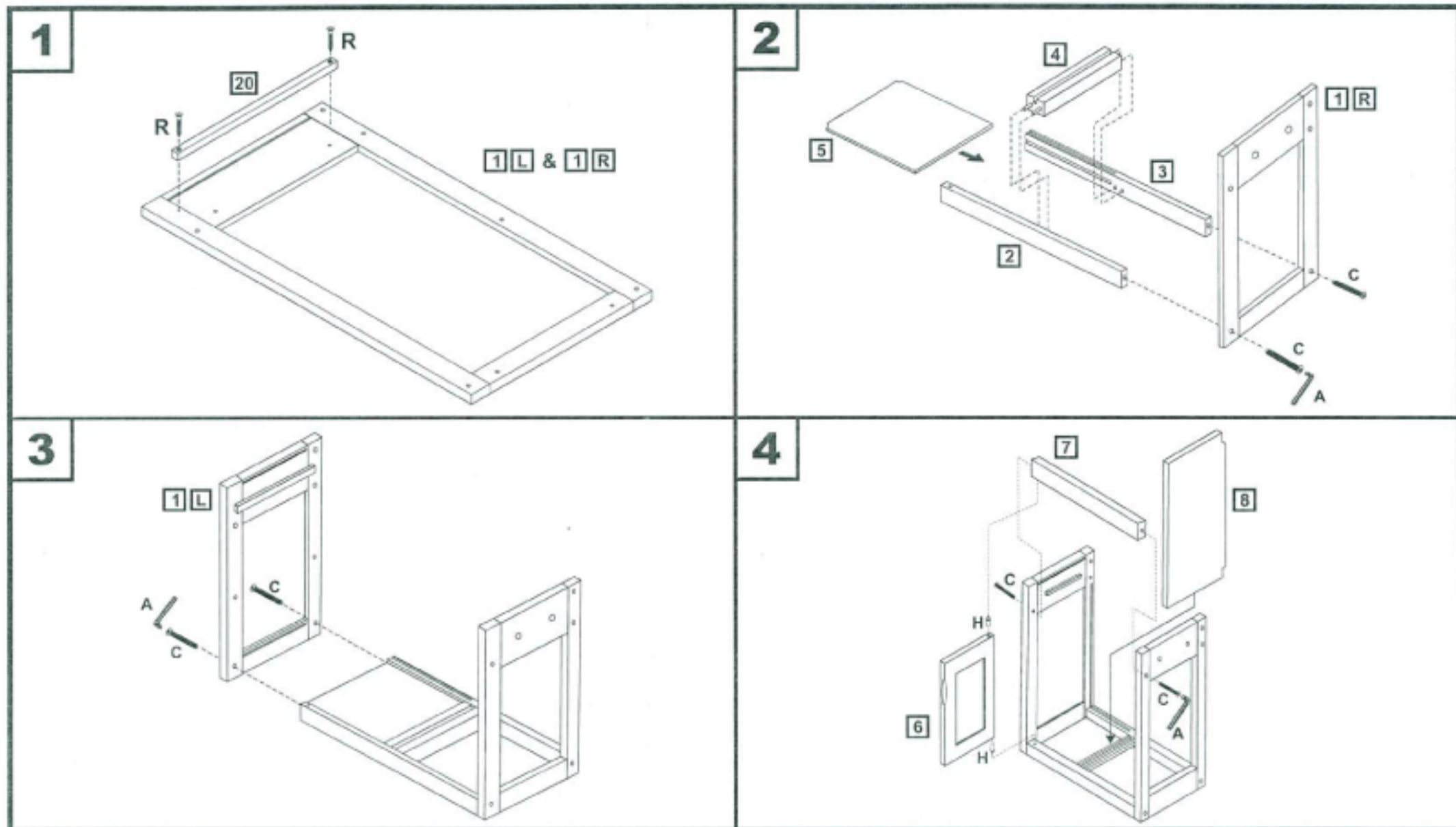


IMPORTANT! DO NOT TIGHTEN SCREWS OR BOLTS UNTIL COMPLETELY ASSEMBLED!!

Customer Service 0607-6527321

80030 Kitchen Utility Cart

Assembly Instructions



IMPORTANT! DO NOT TIGHTEN SCREWS OR BOLTS UNTIL COMPLETELY ASSEMBLED!!

Customer Service 0607-6527321