

CATSKILL

C R A F T S M E N , I N C .

Assembly Instructions Model 7237

36 Bottle Wine Rack



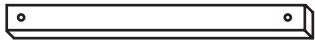
GENERAL:

1. You have purchased model 7237.
2. Should you need assistance or need to replace a damaged or missing part simply give us a call M-F at 607-652-7321 from 7:30 am - 4:30 pm EST and we'll send you the prepaid part via UPS usually that same day! You may also email us info@catskillcraftsmen.com.
3. Read the assembly instructions and the enclosed brochure before beginning assembly. Assembly is easy if you read and follow the instructions step by step. See our website for assembly tips and videos: www.catskillcraftsmen.com
4. The only tools needed are a Phillips screwdrivers, medium and small; medium flat blade screwdriver, pliers and a hammer. A power screwdriver will speed assembly, but is not required.

PARTS LIST



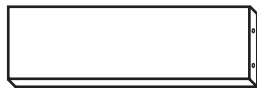
Rack Top 24" x 13"
TT-7200



Bottom Side Cleat 9" x 3/4" x 3/4" (2)
BSC-7237



Top Side Brace 7 1/2" x 3 1/2" (2)
B-TS-7237



Middle/Bottom Side Brace 7 1/2" x 2 1/2" (4)
B-TS-7237



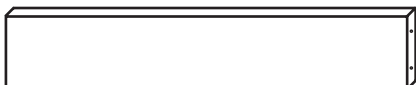
Table Top Stick 9 5/8" x 1 1/2" x 11/16" (2)
TTS-9 5/8-1 1/2-11/16



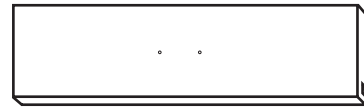
Bottle Neck Brace (6)
BNB-7200



Bottle Bottom Brace (6)
BBB-7200



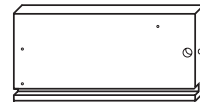
Top Back Brace 21 1/4" x 3 1/2" (1)
TBKB-7200



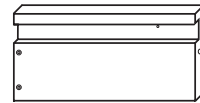
Drawer Front (1)
DF-7200



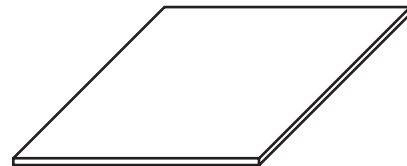
Drawer Back (1)
BBK-7200



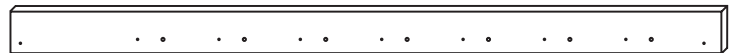
Drawer Side Right (1)
DS/R-7200



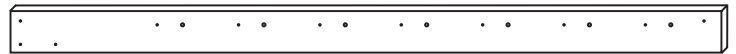
Drawer Side Left (1)
DS/L-7200



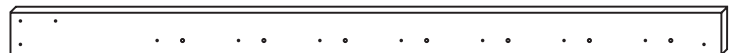
Drawer Bottom (1)
DBOT-7200



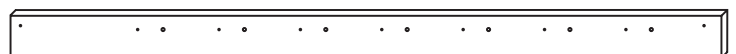
Right Front Leg-Rack Side (1)
LEG/RF-7237



Right Back Leg-Rack Side (1)
LEG/RB-7237

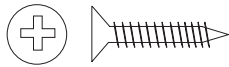


Left Back Leg-Rack Side (1)
LEG/LB-7237

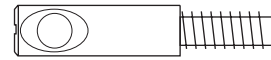


Left Front Leg-Rack Side (1)
LEG/LF-7237

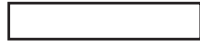
HARDWARE LIST



Small 7/16" Wood Screw (4)
SKRU 5/8" #6F



Bastion Post (2)
B-POST



1" Steel Pin (24)
PIN 1"



3/4" Steel Pins (28)
PIN 3/4"



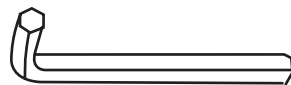
Small 3/8" Machine Screws (2)
SKRU-M4-10



Bastion Barrel Nut (2)
B-NUT



Pan Head Machine Screws (2)
SKRU 1" 8-32



Allen Wrench



Bastion Set Screw (2)
B-SET



Drawer Glide (2)
DGLIDE-7200



2" #8 Wood Screw (4)
SKRU 2" #8



Brushed Stainless Drawer Handle (1)
HANDLE



1 1/4" #8 Wood Screw (36)
SKRU 1 1/4" #8

TIPS ON HOW THE BASTION FASTENING SYSTEM WORKS

1. The Bastion fastening system consists of a steel post (threaded on one end with a hole through the shaft on the other end); a Barrel Nut (cylindrical barrel-shaped with threaded open end & holes through the sides); and a Set Screw (Phillips slot on one end, pointed on the other)

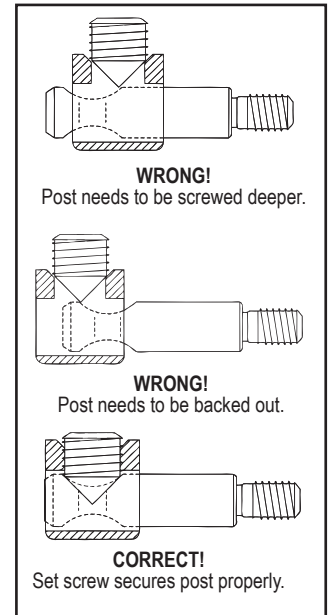
2. To attach Posts: A) Dip threads of Post in vegetable oil. B) Align threaded end of Post with hole in wood, tap on slotted end with hard hammer until threads enter, then tighten down using a flat head screw driver or the provided allen wrench (See the Illus. Bas. 3 for alternate seating methods). **DO NOT TRY TO HAMMER THE POST ALL THE WAY IN AS IT WILL STRIP THE POST HOLE.** C) When solid shaft of Post hits wood, back out approximately ½ turn until the hole in the posts is properly aligned as per step by step directions. For example: the holes in the posts on the inside of the drawer front will be parallel with the long length of the drawer front when properly seated.

3. A) Place a Barrel Nut into the nut access hole, so that the threads in the nut face out. The small notches on either side of the nut opening, indicate the location of the holes through the sides of the nut. B) Insert the posts through the end of the braces (or drawer sides); through the holes in the sides of the nut. When properly aligned, you will see the hole in the post inside the barrel nut. Post hole should be slightly off-center toward the wood.

4. Insert the Set Screw into the threaded end of the nut and tighten down. The tip of the Set Screw will seek the center of the hole in the Post as it is tightened down, forcing the Nut toward the main shaft of the Post. This is what tightens the wooden parts together. Set screws should thread easily – **DON'T CROSS THREAD!** If Set Screw doesn't thread easily, check position of the hole in Post.

5. If the wooden parts are not tight against each other, the Post needs to be screwed a half turn at a time until wood joints are tight.

Illustration Bas. 1



Step 1

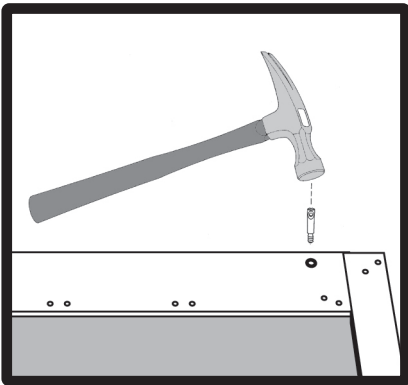
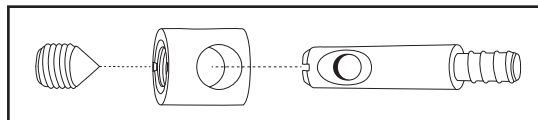
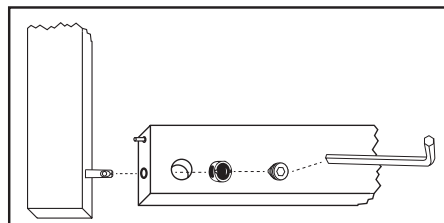


Illustration Bas. 2

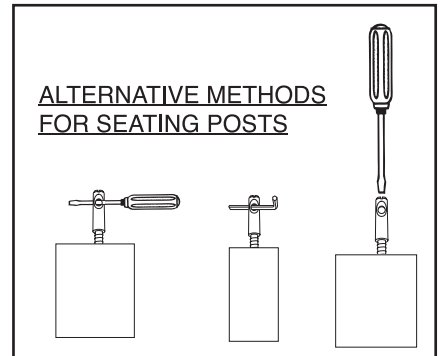


Step 2



Allen Wrench Provided

Illustration Bas. 3



See video on our website!

If you have any questions regarding assembly or missing or damage parts, call our customer support number:

607-652-7321 or 888-732-7321.

Customer Support Hours are 8am-5pm Mon. - Fri. Eastern Time zone.

STEP 1

Prep Bottle Bottom Braces

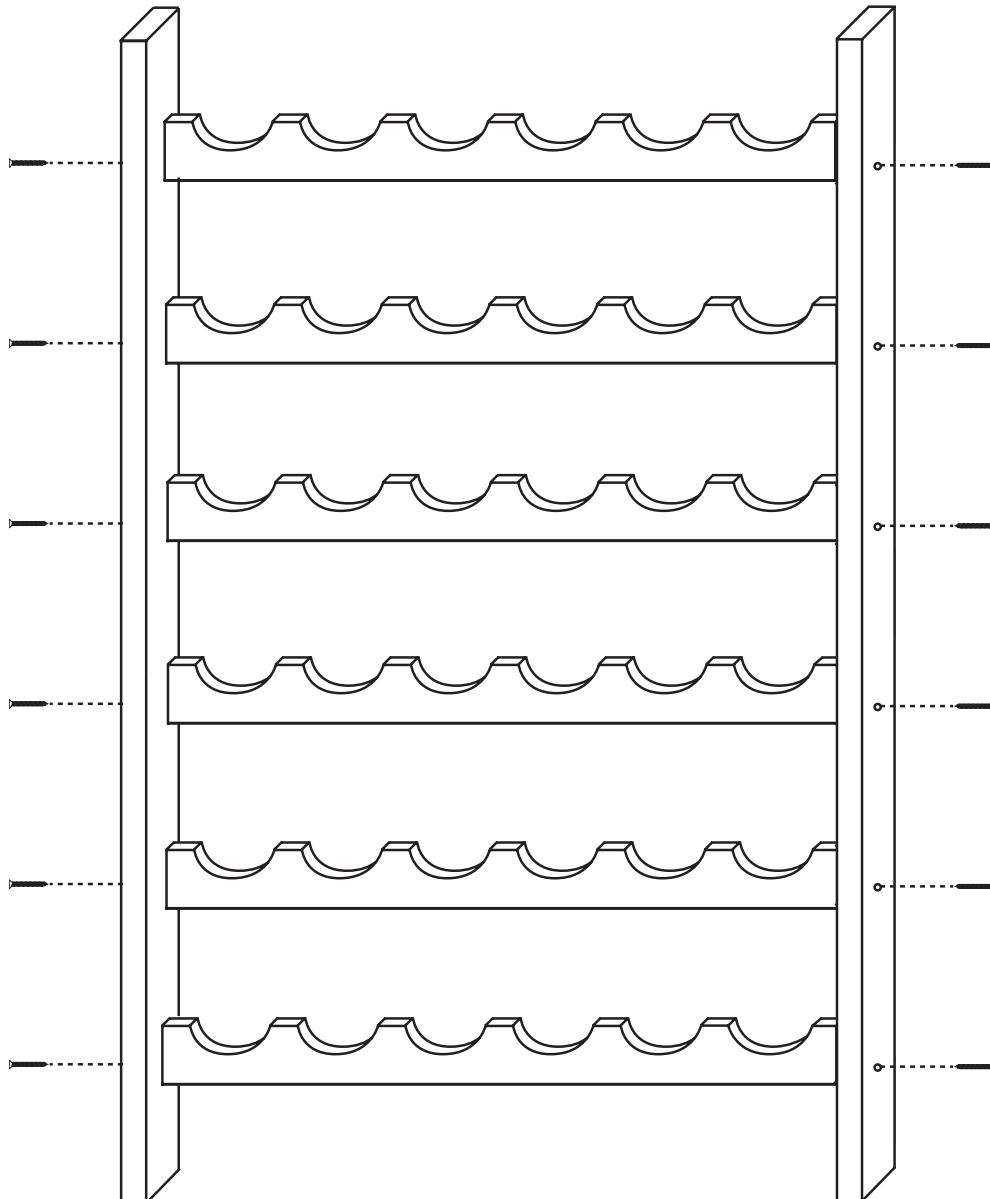
Take all 6 braces and tap one 3/4" pin into the ends of each. OK if pin is loose!



STEP 2

Attach Bottle Bottom Brace to Back Legs

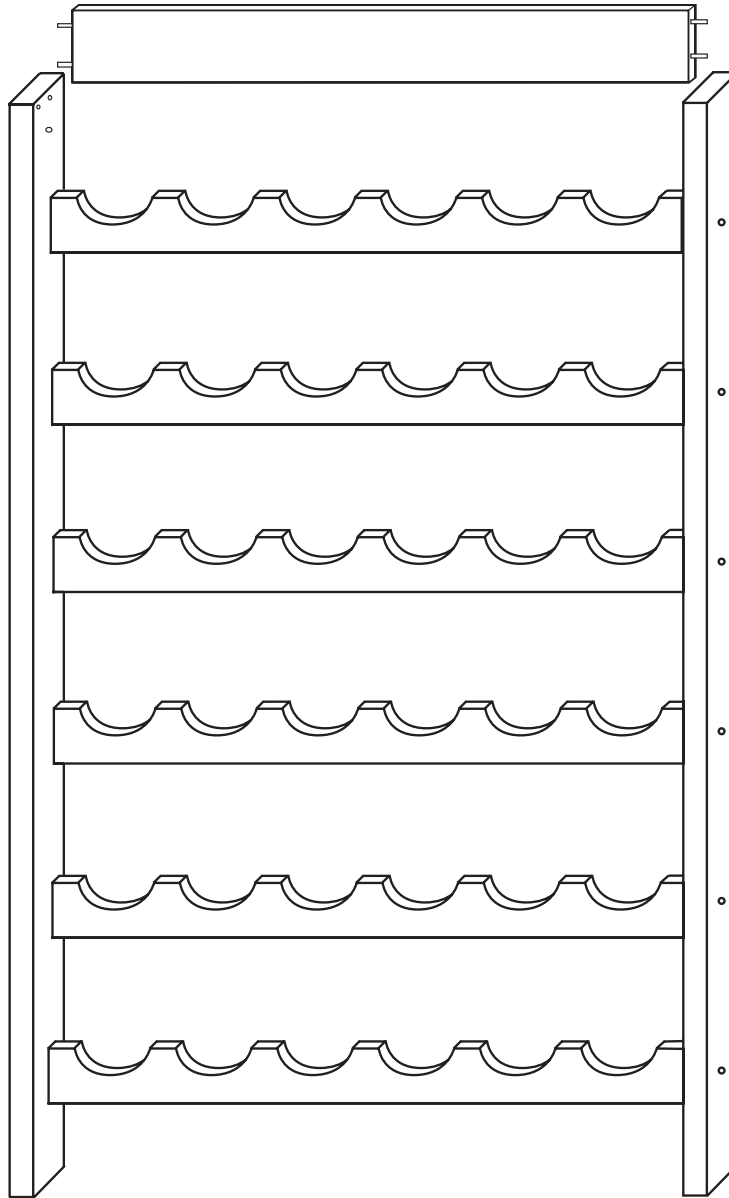
Attach Bottle Bottom Braces (6) to the Left Back Leg by aligning pins in brace ends with holes in leg. Secure braces with 1 1/4" #8 screws. Attach the other end of the braces to the Right Back Leg in the same manner but leave these screws loose. Make sure the smoother rounded bottle slots face the front.



STEP 3

Attach Top Back Brace

Tap two 3/4" pins into each end of the Top Back Brace. Insert pins into both Back Legs. You may need to slightly separate the legs at the top to allow room to seat the pins. When in place, tighten 1 1/4" #8 screws from Step 2.



STEP 4

Prep Bottle Neck Braces

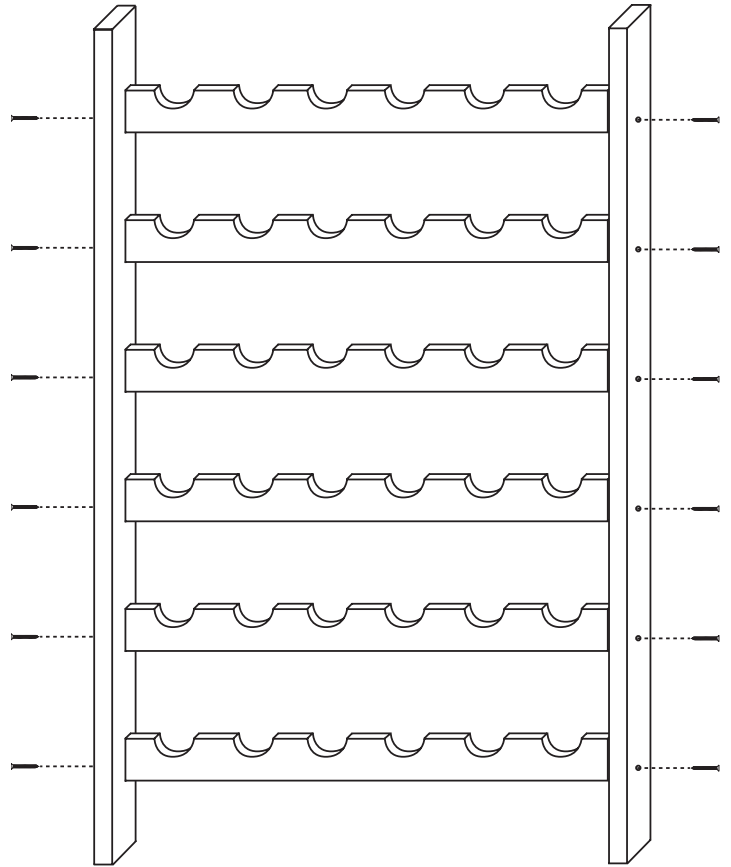
Tap two 3/4" pins into each end of the six Bottle Neck Braces.



STEP 5

Attach Bottle Neck Braces to Front Legs

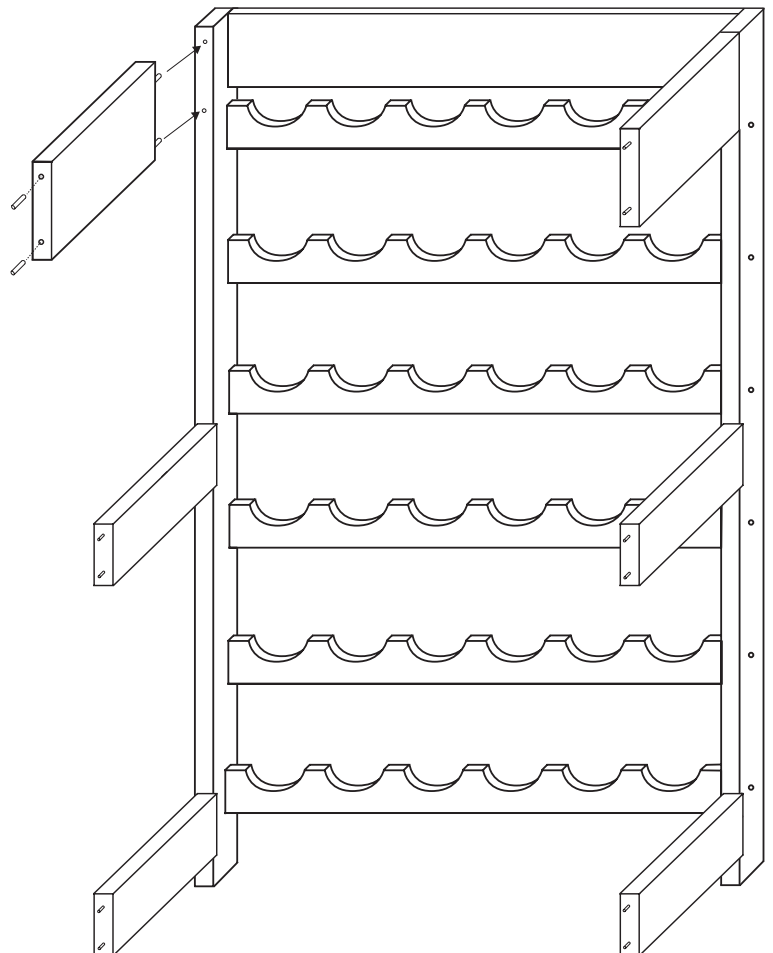
Attach braces to the Left Front Leg by aligning brace pins with holes in the leg. Secure with 1 1/4" #8 screws. Attach the other end of the braces to the Right Front Leg with 1 3/4" #8 screws. Tighten all screws. Tighten all screws. Make sure rounded edges of the slats face the front.



STEP 6

Attach Side Braces to Back Assembly

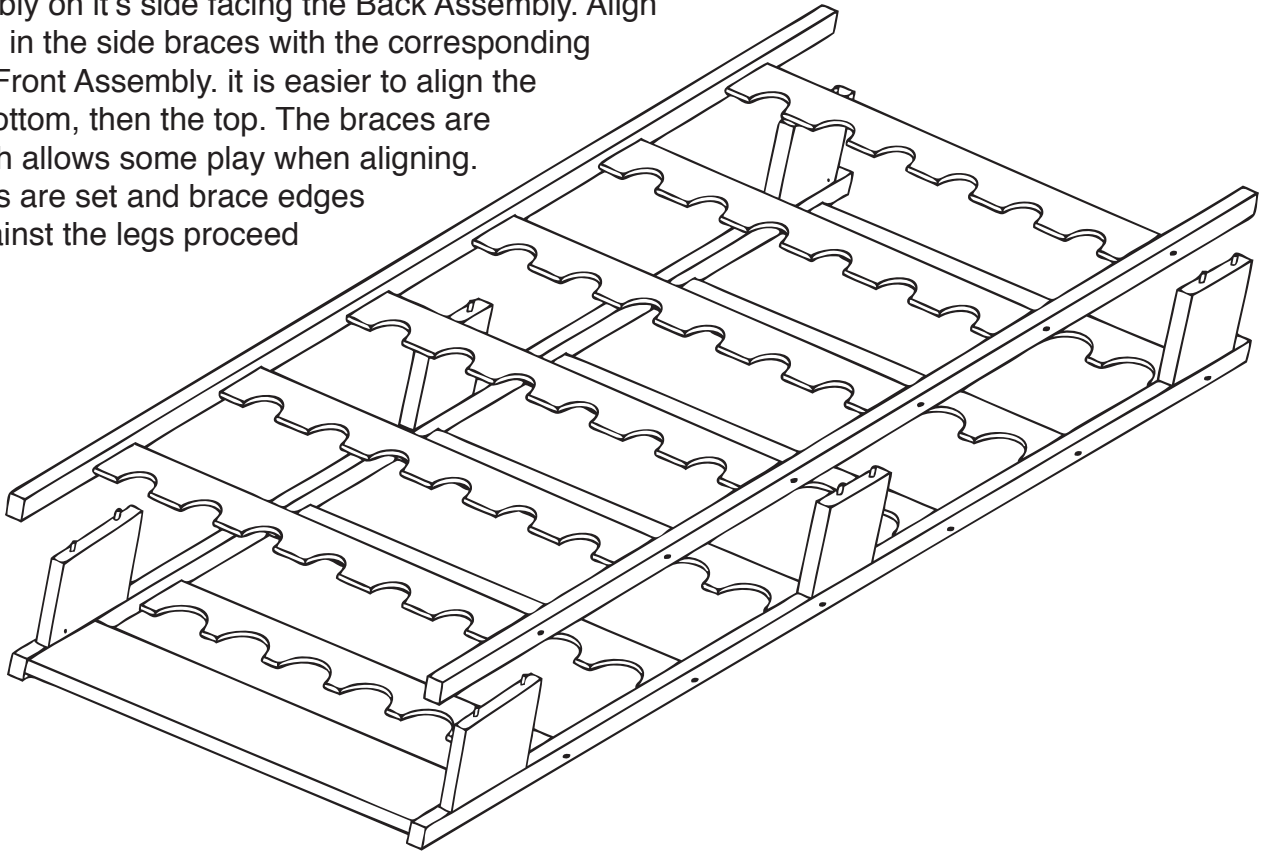
Take the Back Assembly and place it on a flat surface as illustrated, with pin holes up. Take the top/middle/bottom side braces and insert two 1" pins into both ends of each brace. Insert the pins in the braces, as illustrated, into the Back Assembly.



STEP 7

Attach Front Assembly to Back Assembly

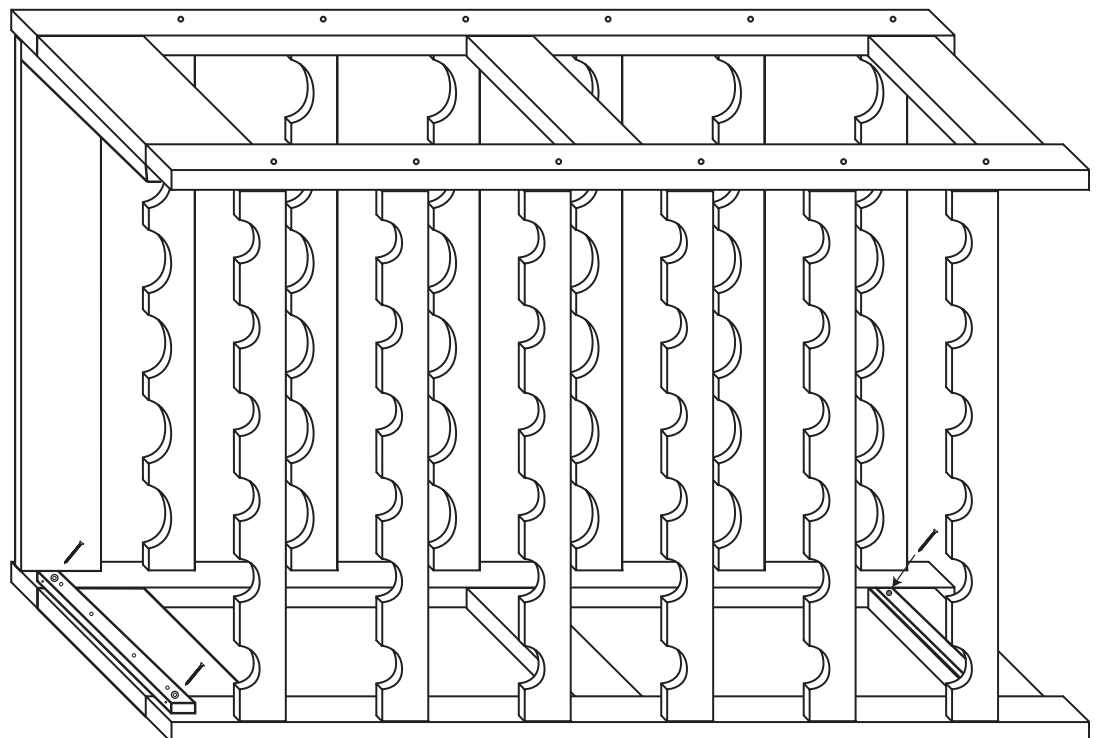
Turn the Back Assembly from Step 6 on it's side, place the Front Assembly on it's side facing the Back Assembly. Align the pin holes in the side braces with the corresponding holes in the Front Assembly. it is easier to align the pins in the bottom, then the top. The braces are on pins which allows some play when aligning. When all pins are set and brace edges are flush against the legs proceed to step 8.



STEP 8

Attach Table Top Sticks and Cleats

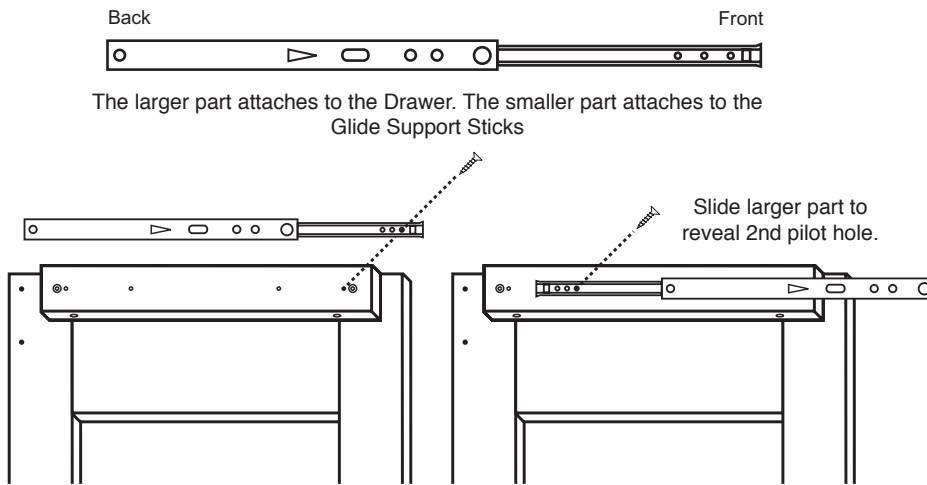
Lie unit on side as illustrated and attach Table Top Sticks to the Top Sides with 1 1/4" #8 screws. Make sure the three holes on the long edge has the counter sunk holes facing down. Attach bottom side cleats with 1 1/4" #8 screws.



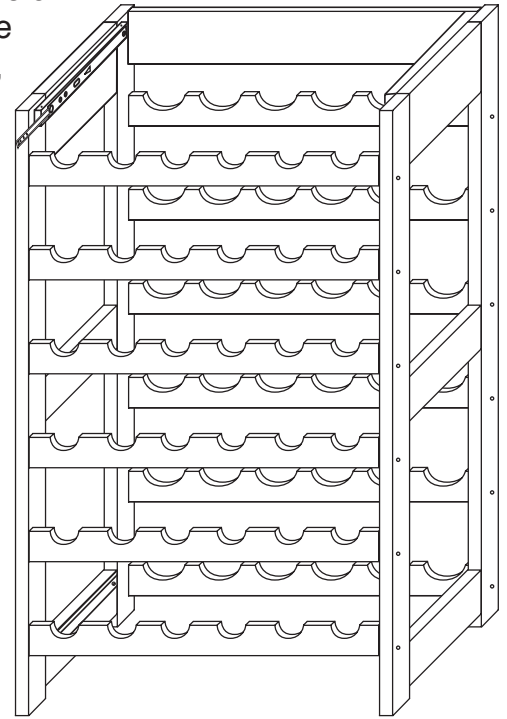
STEP 9

Attach Drawer Glides

Attach Drawer Glides to the Table Top Sticks using 7/16 wood screws. Use the 1st hole in the first set of 3 holes (from back) and the 3rd hole in the last set of 3 holes. You will have to slide the longer part of the glide to gain access to the front pilot hole. When in proper position, the small part of the glide will be almost flush with the back edge of the Table Top Stick. The arrow on the larger part of the glide points toward the front of the cart.



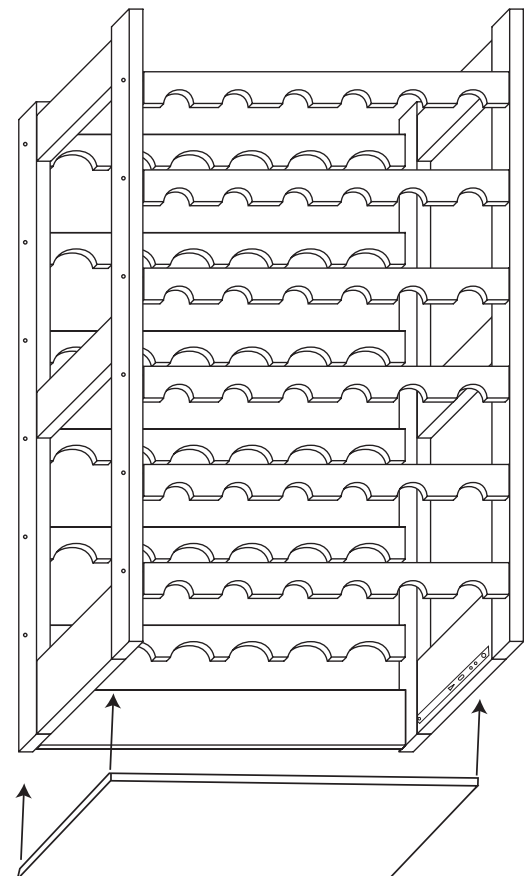
Braces Omitted In Illustration To Show Glide Placement



STEP 10

Attach Top

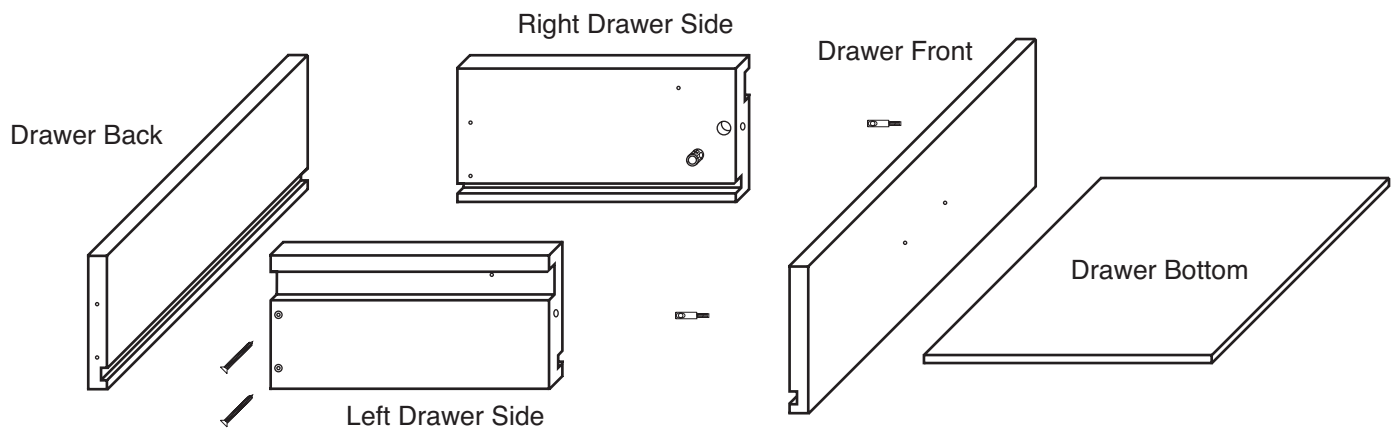
Invert the top on a smooth, flat surface (holes up). Invert the rack assembly so that the holes in the table top sticks align with the holes in the bottom of the Table Top. Secure with 2" #8 screws.



STEP 11

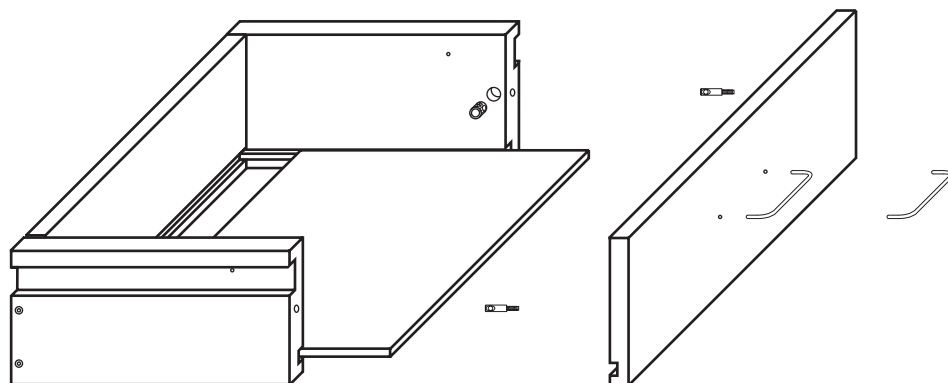
Drawer Assembly

Attach drawer back to the drawer sides with four 1 1/4" #8 screws. There are left and right sides. Make sure the slots that run the length of the sides are aligned with the slot in the drawer back to accept the drawer bottom. Slide in drawer bottom, best side up to inside of the drawer. Align the threaded end of the Bastion posts with the post holes located near the ends of the inside of the drawer front. Tap slotted end of posts with hammer until threads just end holes, then tighten posts down with flat blade screwdriver. Tighten post until the solid shaft of the post hits the wood. Back the post out about 1/2 turn, until the hole/screwdriver slot in the end of the post is parallel and are in direct line with the long edges of the drawer front.



Insert the Barrel Nuts into the nut access holes on the inside of the drawer sides with the threaded end of the nut facing out. The small slots on the outer lip of the nut show the position of the holes through the nut sides. Align these slots parallel with the long edges of sides. Take the drawer front and carefully insert the posts into the ends of the brace sides, through the sides of the nut until seated. When in proper position, you should see the hole in the post through the threaded end of the nut. Push nut snug up against the wood in the nut access hole toward the drawer front. Hole should be slightly off-center toward the drawer front. Insert the set screw and tighten down. Don't cross-thread set screws. Set screw should turn easily then engage the side of the post hole. As the set screw is tightened, the tip will seek the center of the hole in the post and tighten. The ends of the drawer sides should be tight against the inside drawer front.

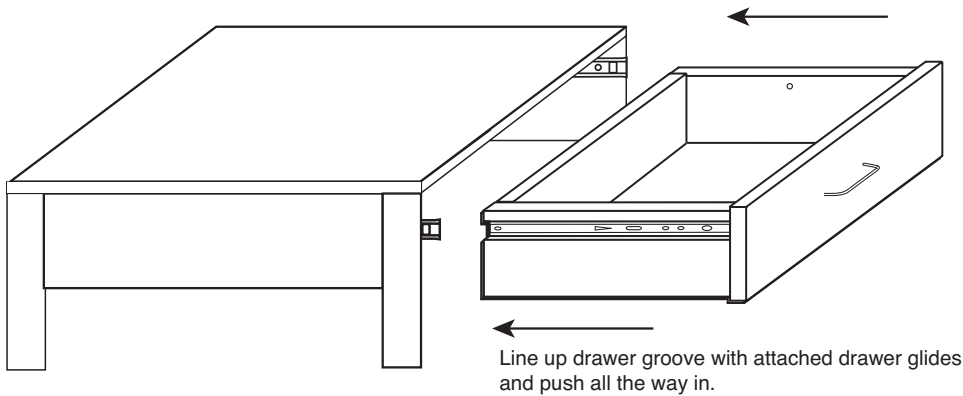
Attach the handle with two 1" #8-32 MM Pan Head Machine Screws.



STEP 12

Attach Drawer

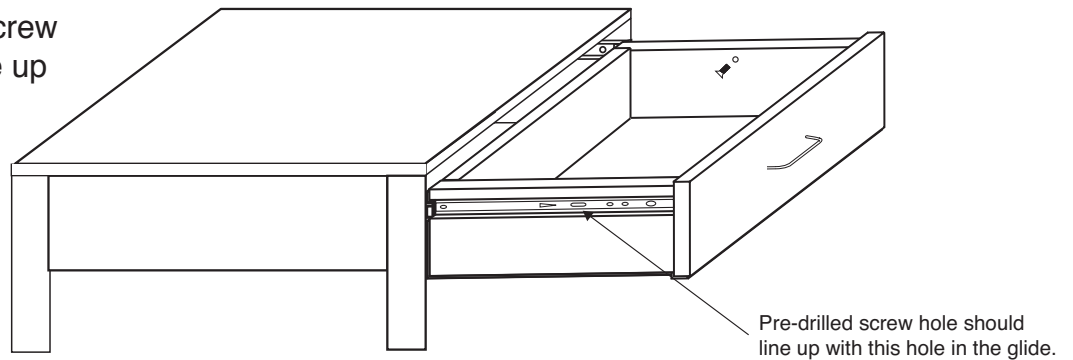
With the unit upright, align the slots on the outside of the Drawer Sides with Drawer Glides attached to the Table Top Sticks. When both sides are aligned, push the drawer all the way in until it hits the Top Back Brace. This will “set” the glides. Slowly pull the drawer out, the large part of the glide will pull out with the drawer. You will see where the holes line up to the pre-drilled hole in the drawer side. Secure the glide to the Drawer Side with one small 3/8” Machine Screw per side.



TIP: if holes are not lined up, try closing the drawer all the way, then opening again.

Pull drawer out slowly to align holes in drawer with the glides.

Screw in 1 3/8” Machine Screw on each side. Glide will line up with the pre-drilled hole. Screws are inserted from the inside of the drawer out through the glide.





For continued beauty and long life of your Catskill Craftsmen cart, we recommend Catskill Craftsmen's Butcher Block Oil. Our Butcher Block Oil is available directly from Catskill Craftsmen's factory. For one eight ounce (8 fl. oz.) bottle, which is sufficient for two applications, simply send \$7.95 along with the completed coupon to the address below. Visit us online at www.catskillcraftsmen.com to browse our assortment of butcher block care products. Visa and Mastercard are accepted online.



Catskill Craftsmen, Inc.
15 West End Ave.
Stamford, NY 12167-1296



BUTCHER BLOCK OIL COUPON

Please send me _____ # of bottle(s) of the Catskill Craftsmen Butcher Block Oil at \$7.95 per bottle. My check or money order is enclosed for a total of \$_____.

Item code: 7237

Name _____

Address _____

City _____

State _____ Zip _____

Please make checks payable to Catskill Craftsmen Inc.
15 West End Ave., Stamford, NY 12167-1296