

# CATSKILL

C R A F T S M E N , I N C .

## **Assembly Instructions** **Model 7226**

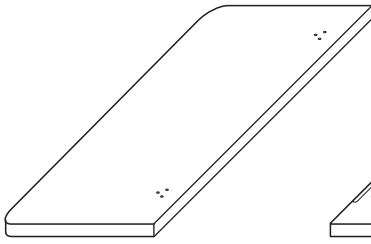
### *Contemporary Basket Cart with Drop Leaves*



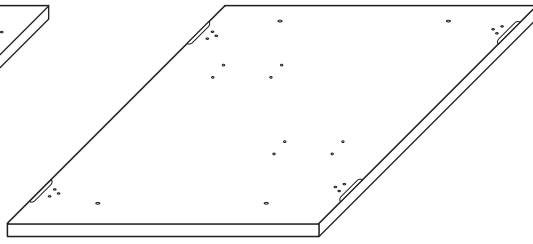
#### **GENERAL:**

1. You have purchased model 7226. Overall dimensions of an assembled unit is 44" x 20" x 34.5" when drop leaves are up.
2. Should you need assistance or need to replace a damaged or missing part, DO NOT RETURN THE UNIT TO THE STORE where you purchased it, simply give us a call at 607-652-7321 from 7:30 - 4:00 PM Eastern time and we'll send you the prepaid part via UPS usually that same day!
3. Read the assembly instructions and the enclosed brochure before beginning assembly. Assembly is very easy if you read and follow the instructions step by step.
4. Tools required: Phillips screwdrivers, medium and small; medium flat blade screwdriver, pliers and a hammer.

# CABINET PARTS



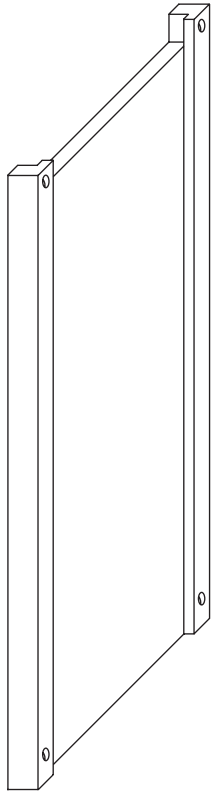
Drop Leaf (2)  
P/N DL-7226



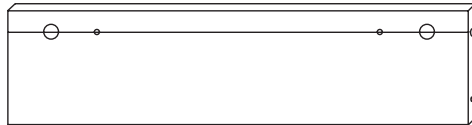
Cart Top (1)  
P/N TT-7226



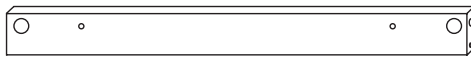
Drawer Bottom (1)  
P/N DB-7221



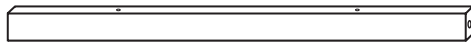
Side Panel (2)  
P/N SP 7226



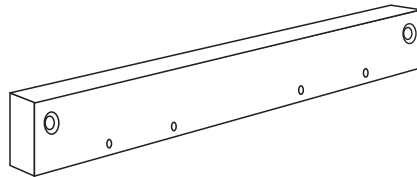
Top Back Brace (1)  
P/N B-15 7/8-5 3/8-TB



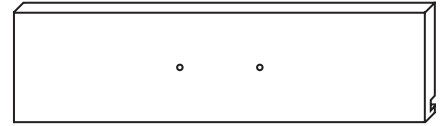
Bottom Brace (2)  
P/N B-15 7/8-2-MB



Top Front Brace (1)  
P/N B-15 7/8-1 1/4-TF



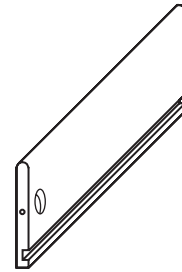
Drawer Glide Support Stick (2)  
P/N DSS 7226



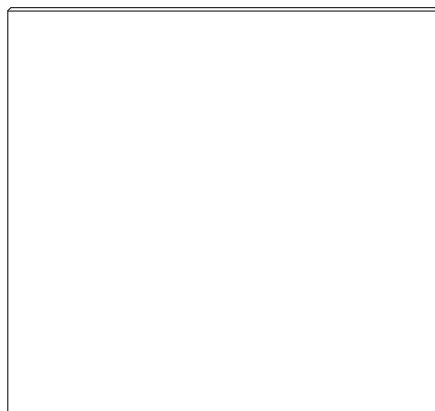
Drawer Front (1)  
P/N DF-7226



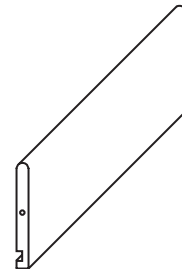
Drawer Back (1)  
P/N DBK-7221



Drawer Side/Left (1)  
P/N DS-7221/L



Bottom Shelf (1)  
P/N BS-7226



Drawer Side/Right (1)  
P/N DS-7221/R



Basket Rails (6)  
P/N BR-17-1 5/8

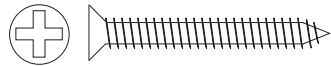
# CABINET HARDWARE



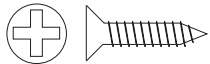
1 3/4" Phillips Flat Head Bolt (8)



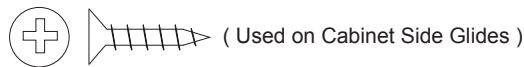
1 3/4" Phillips Flat Head #8 Screw (2)



1 1/4" Phillips Flat Head #8 Screw (16)



5/8" Phillips Flat Head #8 Screw (34)



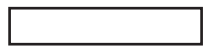
5/8" Phillips Flat Head #6 Screw (4)



5/8" Phillips Flat Head #5 Screw (4)



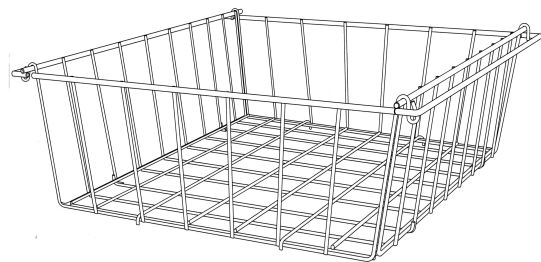
1" Truss Head Machine Screw (2)



1" Long 3/16" DIA. Steel Pin (4)



3/4" Long 3/16" DIA. Steel Pin (6)



Wire Basket (3)



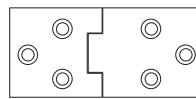
5/8" Wooden Disk (8)



10-24 Hex Nut (8)



"Z" Bracket (4)



Hinge (4)



Drawer Handle (1)



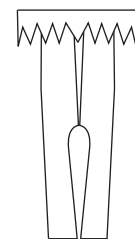
Bastion Barrel Nut (2)



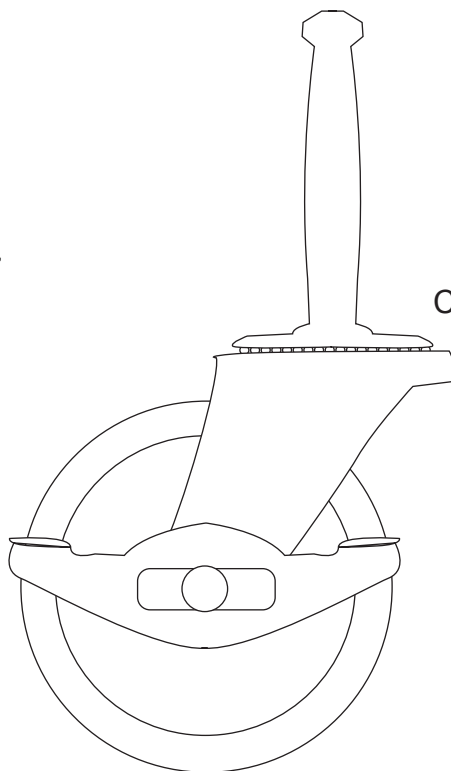
Bastion Set Screw (2)



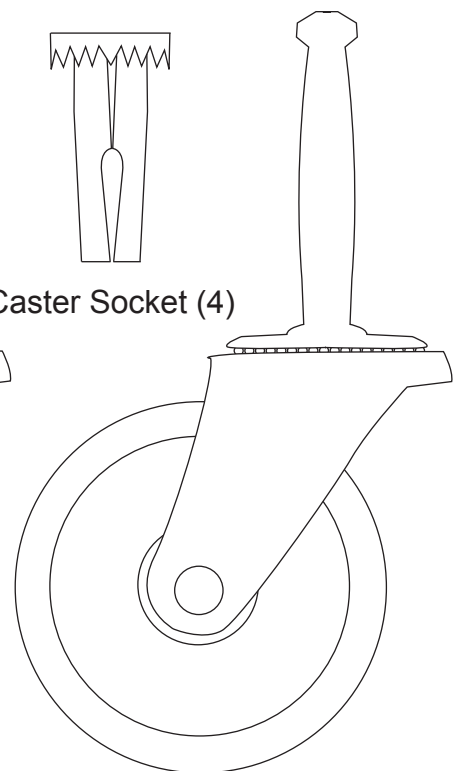
Bastion Post (2)



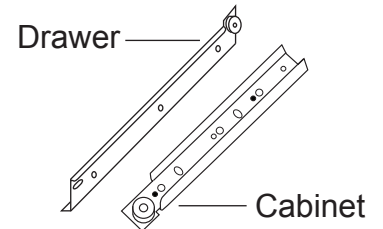
Caster Socket (4)



Locking Wheel Casters (2)

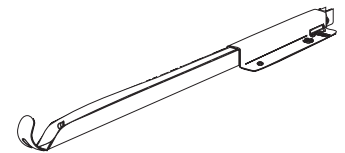


Wheel Casters (2)



Drawer Glide (2 Sets)

Note: The glides look almost alike however, the right glide (as you face the cart) has a rolled lip at the top of the glide that keeps the drawer glide wheel in place.



P/N Drop Leaf Support (2)

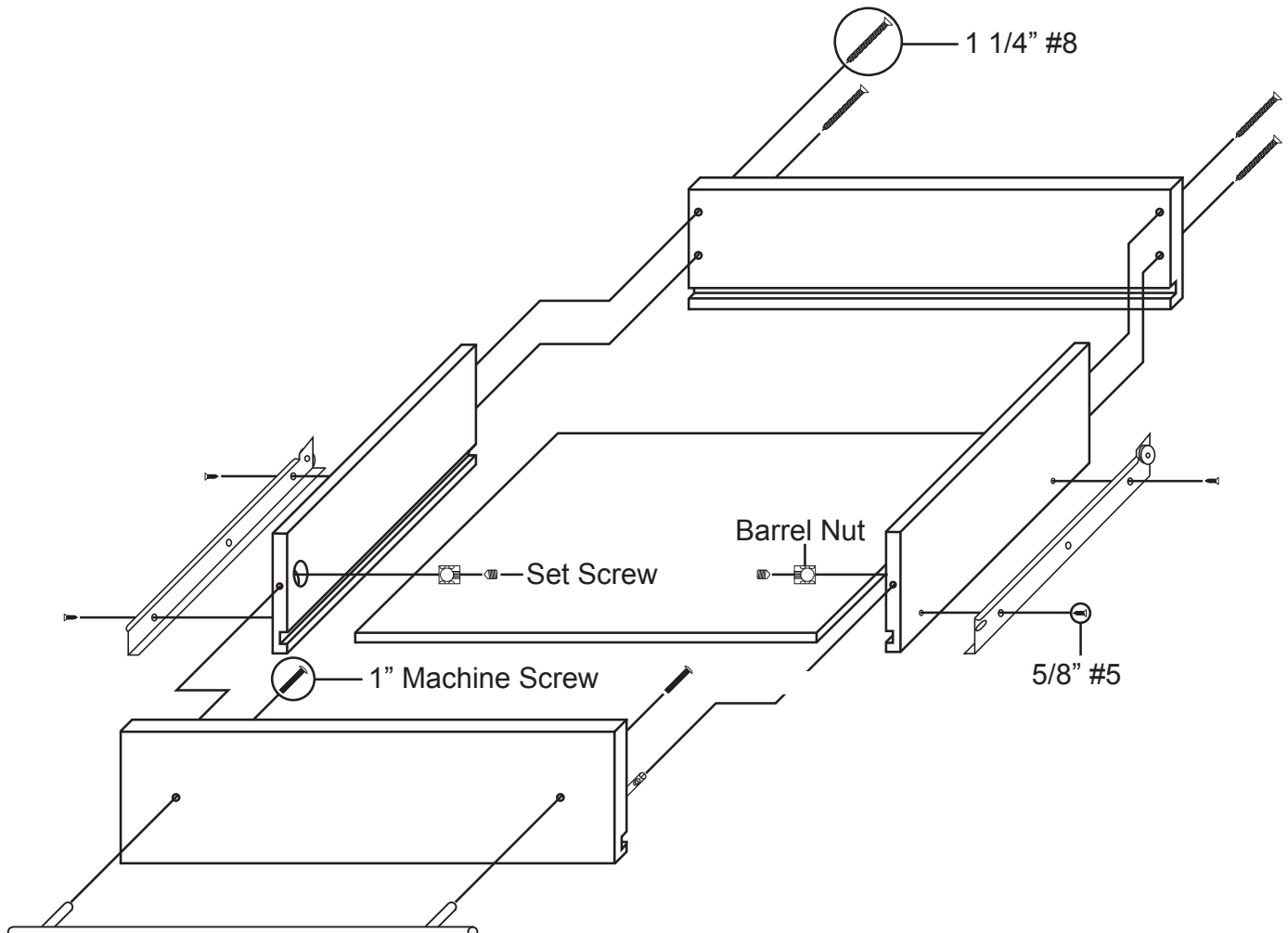
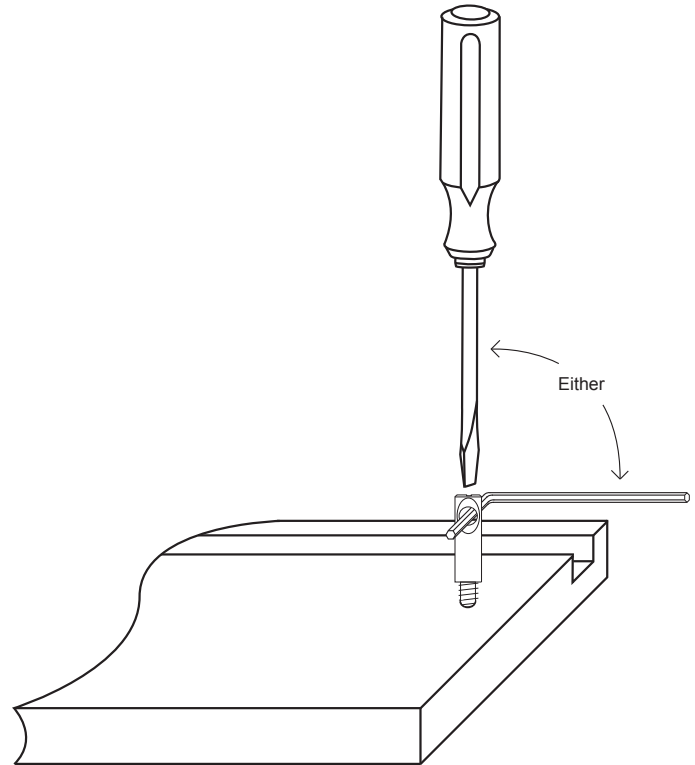
# STEP 1

## Drawer Assembly

Tap in post with a hammer to start and screw down with a screwdriver or with a small allen wrench until the shoulder of the post hits the wood. Then unscrew until the hole is parallel with the groove on the bottom of the Drawer Front.

To understand how the bastion fastening system works see "Tips on how the Bastion System Works" or visit [www.catskillcraftsmen.com](http://www.catskillcraftsmen.com) and click on our instructional video.

- A. Fasten Drawer Back to Sides with 1 1/4" #8 screws
- B. Slide Drawer Bottom in - best side up.
- C. Attach Front with Bastions
- D. Attach Drawer Handle with 1" Machine Screws
- E. Attach Drawer Handles



# TIPS ON HOW THE BASTION FASTENING SYSTEM WORKS

1. The Bastion fastening system consists of a steel post (threaded on one end with a hole through the shaft on the other end); a Barrel Nut (cylindrical barrel-shaped with threaded open end & holes through the sides); and a Set Screw (Phillips slot on one end, pointed on the other)

2. To attach Posts: A) Dip threads of Post in vegetable oil. B) Align threaded end of Post with hole in wood, tap on slotted end with hard hammer until threads enter, then tighten down using a flat head screw driver or the provided allen wrench (See the Illus. Bas. 3 for alternate seating methods). **DO NOT TRY TO HAMMER THE POST ALL THE WAY IN AS IT WILL STRIP THE POST HOLE.** C) When solid shaft of Post hits wood, back out approximately ½ turn until the hole in the posts is properly aligned as per step by step directions. For example: the holes in the posts on the inside of the drawer front will be parallel with the long length of the drawer front when properly seated.

3. A) Place a Barrel Nut into the nut access hole, so that the threads in the nut face out. The small notches on either side of the nut opening, indicate the location of the holes through the sides of the nut. B) Insert the posts through the end of the braces (or drawer sides); through the holes in the sides of the nut. When properly aligned, you will see the hole in the post inside the barrel nut. Post hole should be slightly off-center toward the wood.

4. Insert the Set Screw into the threaded end of the nut and tighten down. The tip of the Set Screw will seek the center of the hole in the Post as it is tightened down, forcing the Nut toward the main shaft of the Post. This is what tightens the wooden parts together. Set screws should thread easily – **DON'T CROSS THREAD!** If Set Screw doesn't thread easily, check position of the hole in Post.

5. If the wooden parts are not tight against each other, the Post needs to be screwed a half turn at a time until wood joints are tight.

Illustration Bas. 1

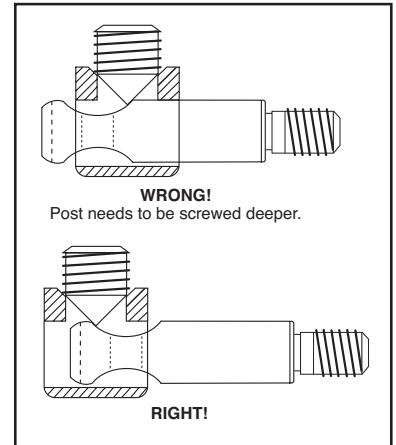
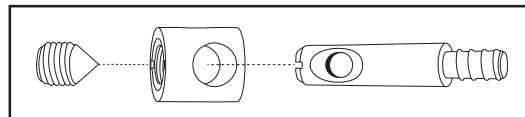
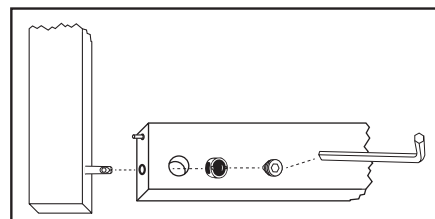


Illustration Bas. 2

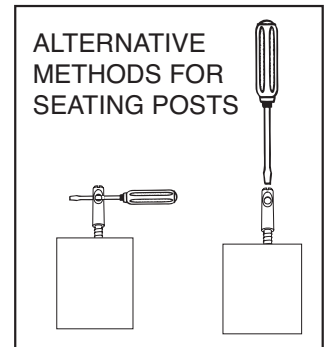


Step 2

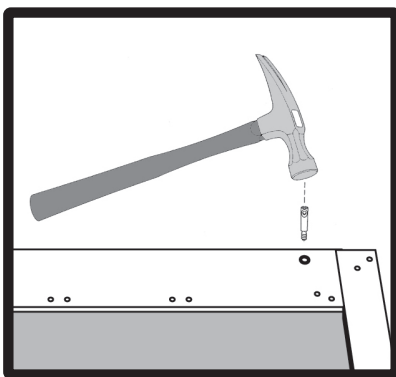


Allen Wrench Provided

Illustration Bas. 3



Step 1



See video on our website!

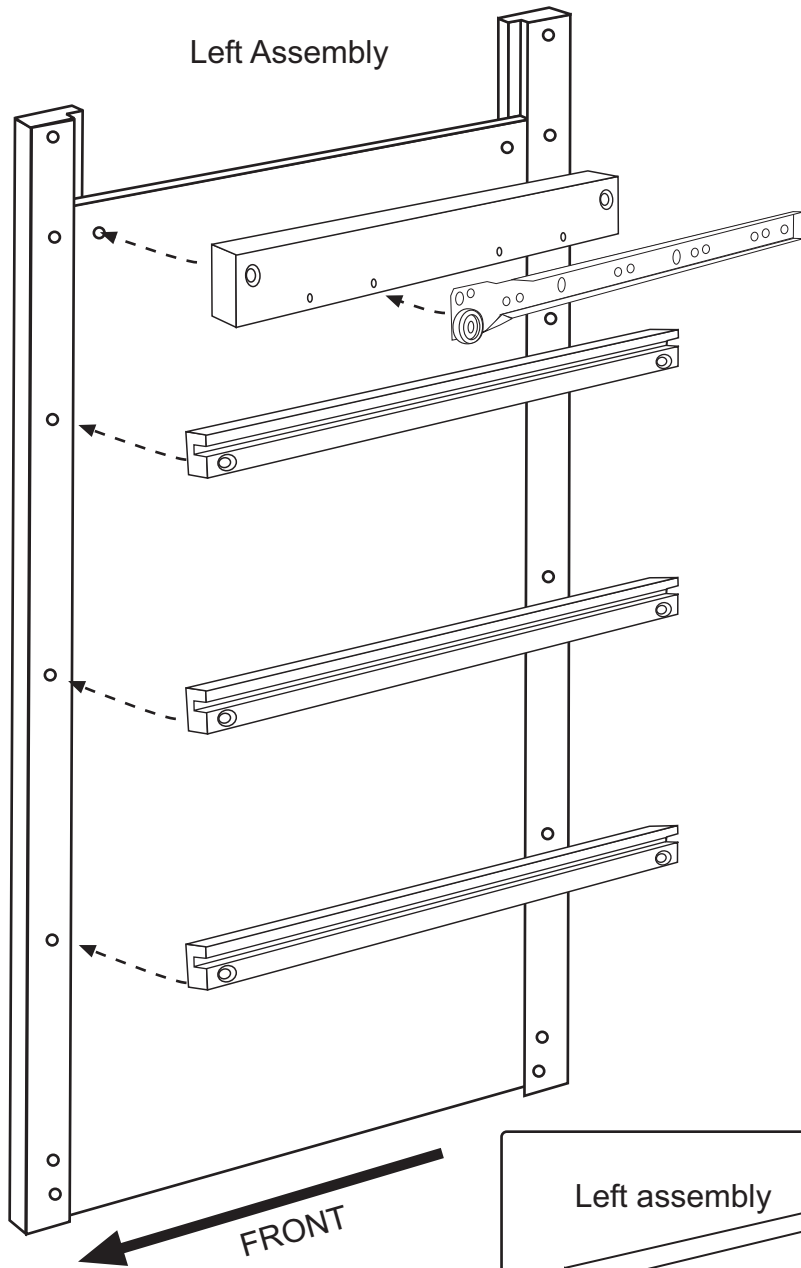
If you have any questions regarding assembly or missing or damaged parts, call our customer support number:

607-652-7321 or 888-732-7321.

Customer Support Hours are 8am-5pm Mon. - Fri. Eastern Time zone.

## STEP 2

### Attach Drawer and Basket Supports to Side Panels



A. Using 1" Phillips Flat Head #8 screw attach the basket supports to the side panel.

B. Using 1 1/4" Phillips Flat Head #8 screw attach the drawer glide support stick to the side panel. (See Illustration 2B)

C. Using 5/8" Phillips Flat Head #6 screw attach the drawer glide to the drawer glide support stick. (See Illustration 2B)

D. Repeat for other side panel.

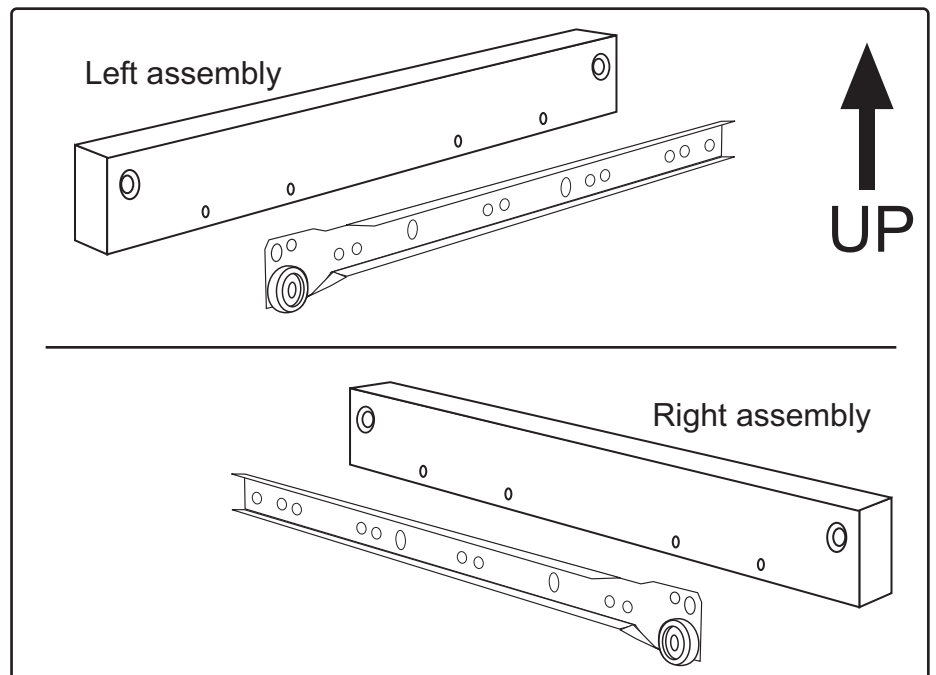


Illustration 2B

### Step 3

## Attach Front and Back Braces

A. Tap 3/4" steel pins into front and back braces. Align pins with pilot holes on side panels.

B. Using 1-3/4" Phillips flat head bolt and hex nut, attach the top and bottom back braces. Insert the nut into the large hole, aligning it with the bolt as shown in illustration 3-B. Hold the nut in place with your finger while tightening the bolt.

C. Using 1-3/4" Phillips flat head bolt and hex nut, attach the top and bottom front braces.

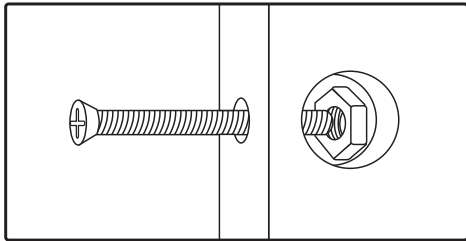


Illustration 3B

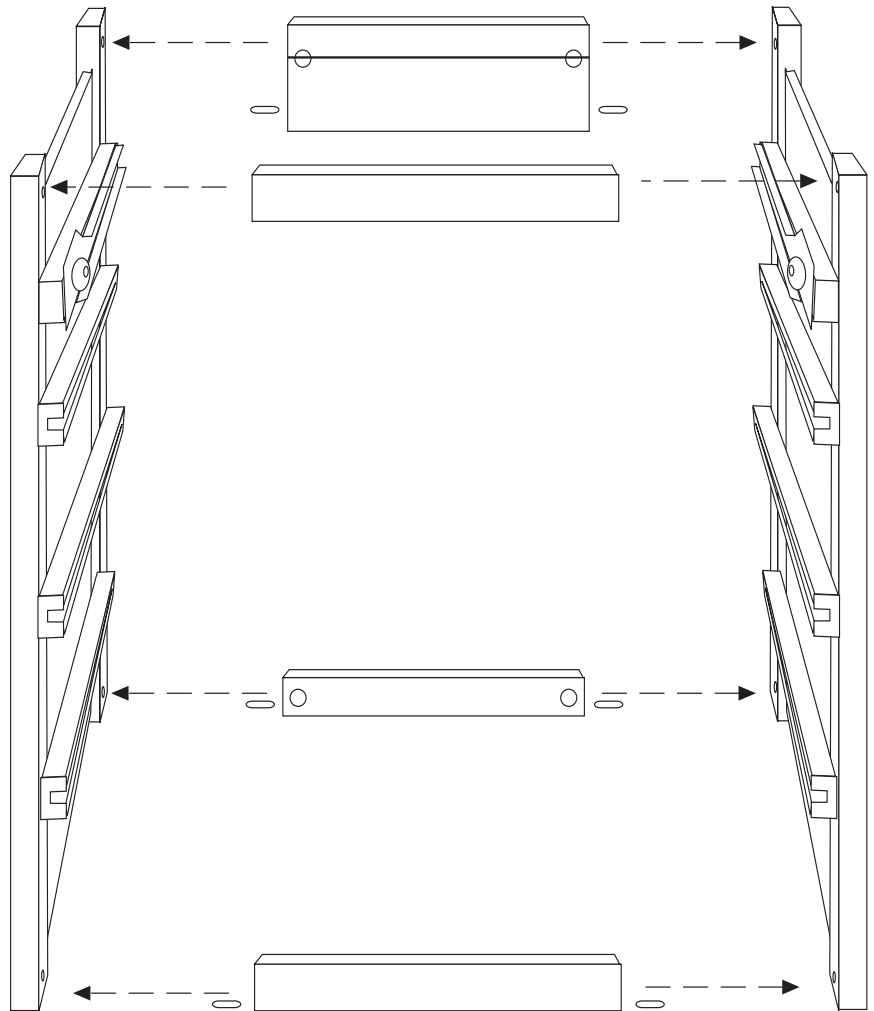


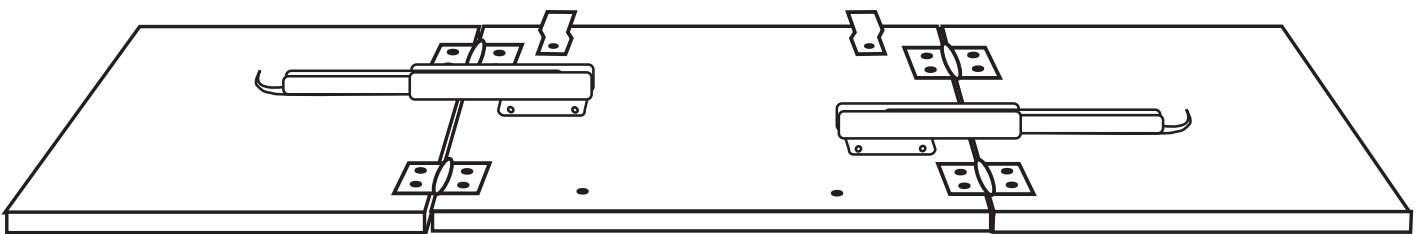
Illustration 3A

---

## STEP 4

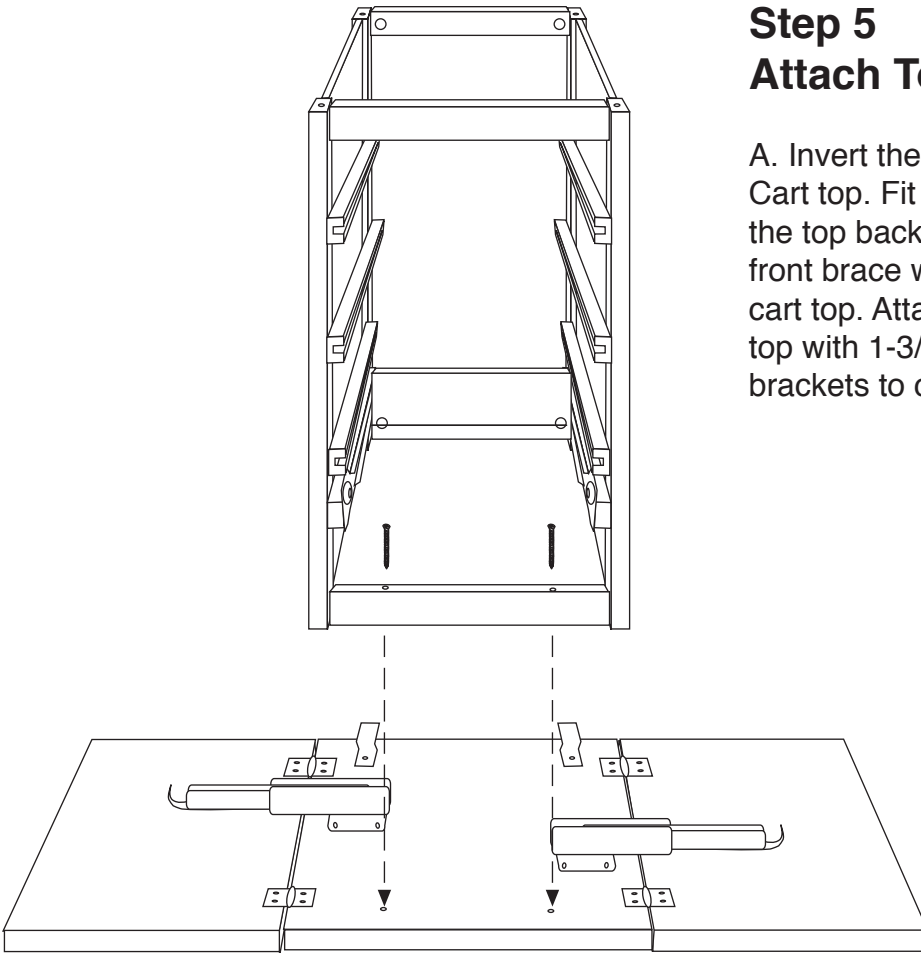
### Top Assembly

A. Place the top and 2 drop leaves upside down on a flat surface. Install hinges using 5/8" #6 screws. Fasten the Drop Leaf supports using 5/8" #8 screws. Loosely attach the "Z" brackets to the set of holes near the back edge of the cart top with 5/8" #8 screws. (Use the set of holes that are further apart than those on the front edge.) The "Z" brackets will be tightened when the top is attached to the cart in the next step.



## Step 5 Attach Top to Cart

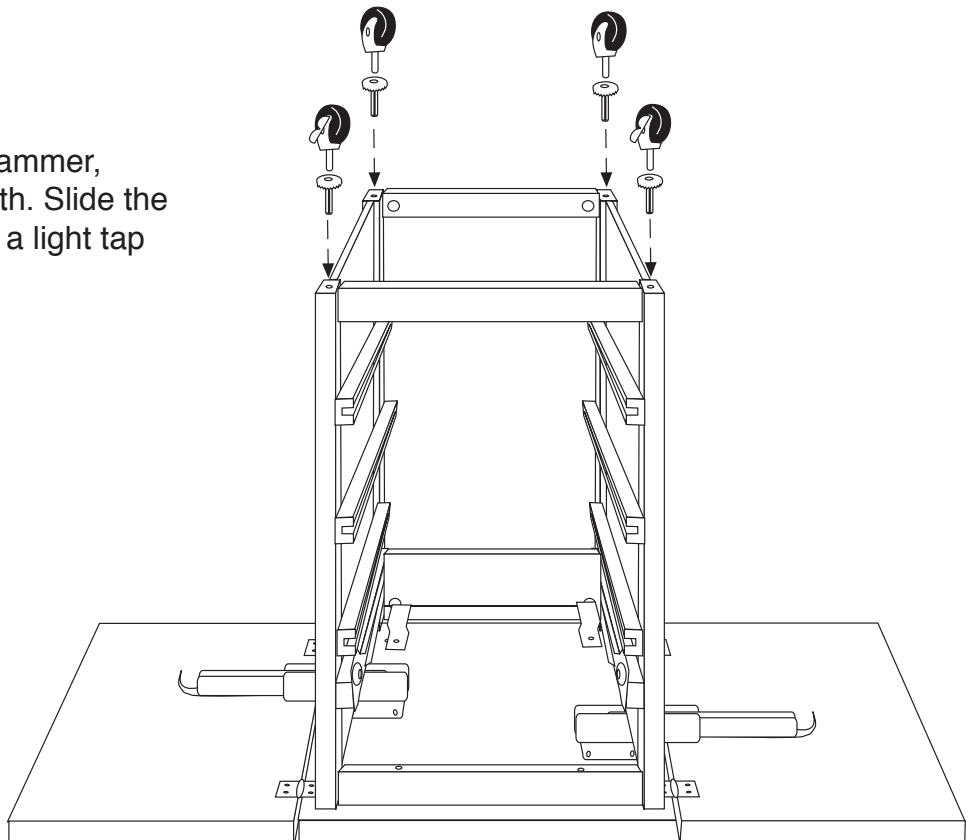
A. Invert the Cart Base and position onto the Cart top. Fit the “Z” brackets into the slot across the top back brace. Align the holes in the top front brace with the pilot holes at the front of the cart top. Attach the top front brace to the cart top with 1-3/4” #8 Wood Screws. Tighten the “Z” brackets to complete top attachment.



---

## Step 6 Attach the Casters

A. Tap in Caster Sleeves with a hammer, careful not to bend the sleeve teeth. Slide the Casters into the sleeves and give a light tap to snap into place.





## Step 7 Baskets, Drawer and Bottom Shelf

A. After you assemble the baskets it may be necessary to pinch the ends with pliers to hold them together better. See our video for detailed instructions.

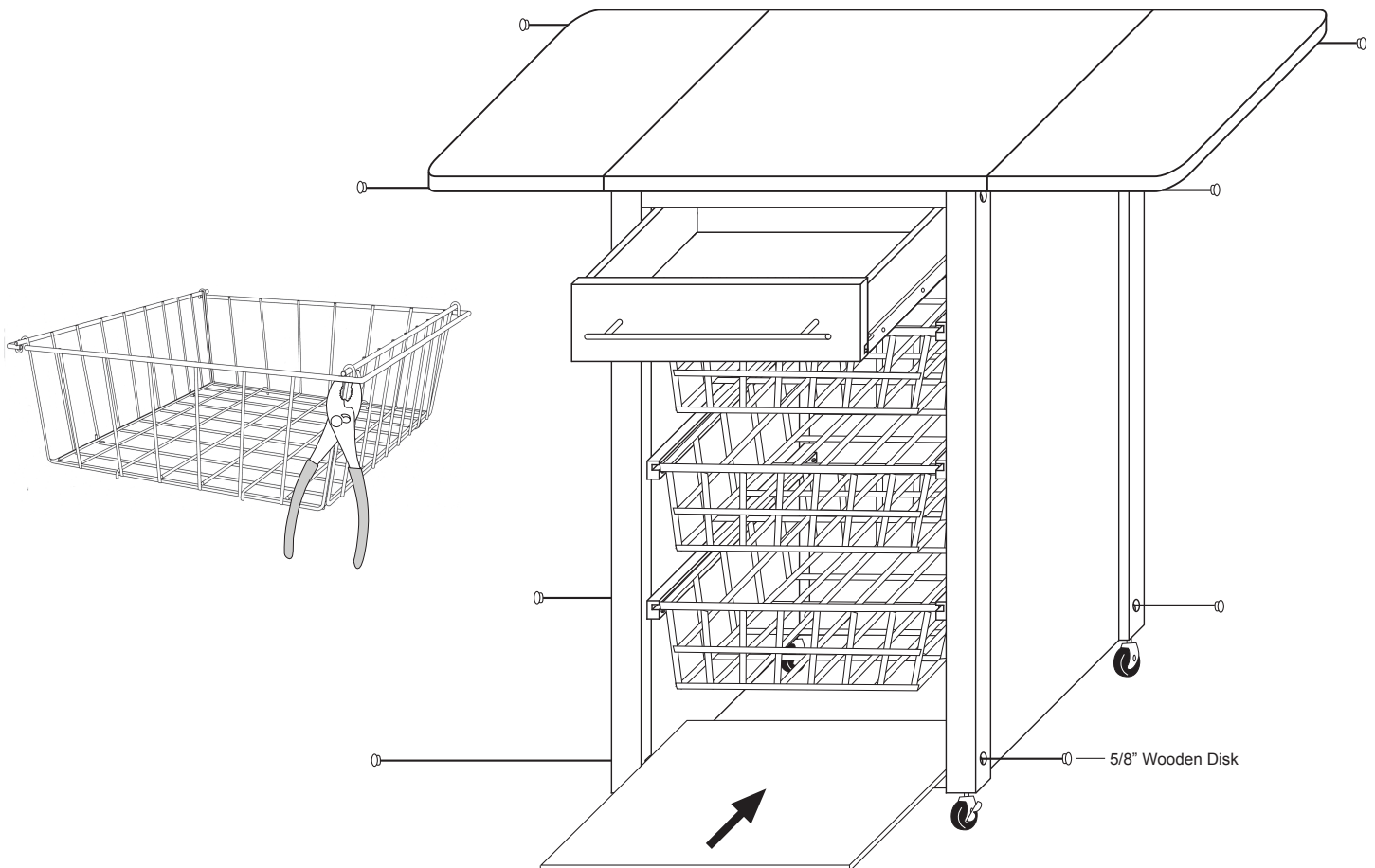
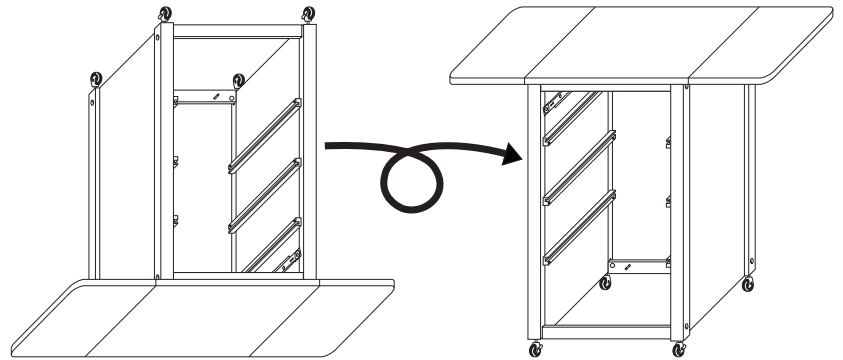
B. Insert the Bottom Shelf onto the shelf support pins.

C. Insert the Wire Baskets into the Basket Rails.

D. Insert the wooden disks into the 8 machine screw holes. Tap in with a hammer.

NOTE: It may be a good idea to tighten all machine screws prior to inserting the wooden disks.

E. Insert the drawer by tilting downward and aligning the wheels on the drawer over top of the wheels on the cabinet glides. Tilt upward and push straight in.





For continued beauty and long life of your Catskill Craftsmen cart, we recommend Catskill Craftsmen's Butcher Block Oil.

Our Butcher Block Oil is available directly from Catskill Craftsmen's factory. For one eight ounce (8 fl. oz.) bottle, which is sufficient for two applications, simply send \$6.95 along with the completed coupon to the address below. Visit us online at [www.catskillcraftsmen.com](http://www.catskillcraftsmen.com) to browse our assortment of butcher block care products. Visa and Mastercard are accepted online.



### BUTCHER BLOCK OIL COUPON

Please send me \_\_\_\_\_ # of bottle(s) of the Catskill Craftsmen Butcher Block Oil at \$6.95 per bottle. My check or money order is enclosed for a total of \$\_\_\_\_\_.

Item code: 7226

Name \_\_\_\_\_

Address \_\_\_\_\_

City \_\_\_\_\_

State \_\_\_\_\_ Zip \_\_\_\_\_

Please make checks payable to Catskill Craftsmen Inc. 15 West End Ave., Stamford, NY 12167-1296



Catskill Craftsmen, Inc.  
15 West End Ave.  
Stamford, NY 12167-1296