

# CATSKILL

C R A F T S M E N , I N C .

## **Assembly Instructions** **Model 61532**

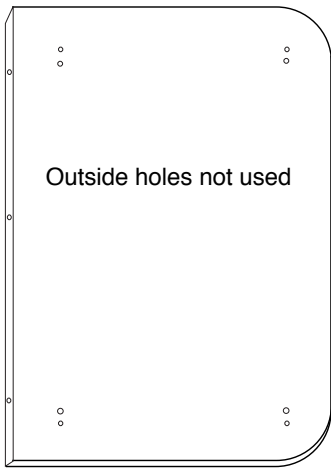
### *Deluxe Butcher Block Cart with Raised Panels & Backsplash*



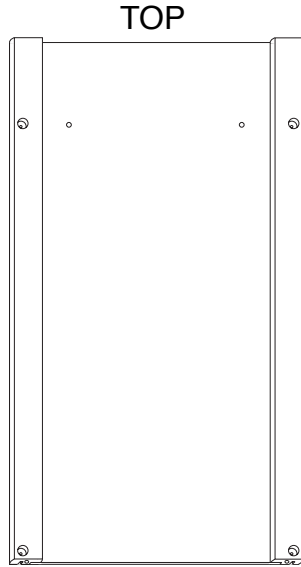
#### **GENERAL:**

1. You have purchased model 61532. This cart is made of the finest Northeastern Hardwood and matching veneer.
2. Should you need assistance or need to replace a damaged or missing part, **DO NOT RETURN THE UNIT TO THE STORE** where you purchased it, simply give us a call at 607-652-7321 from 7:30-4:00 PM Eastern time and we'll send you the prepaid part via UPS usually that same day! Please have model number and part description ready when you call.
3. Read the assembly instructions and the enclosed brochure before beginning assembly. Assembly is easy if you read and follow the instructions step by step. See our assembly video on our website: [www.catskillcraftsmen.com](http://www.catskillcraftsmen.com).
4. The only tools needed are a hammer, a small and a medium Phillips head screwdriver and a medium flat blade screwdriver. A pencil is also needed. A power screwdriver will speed assembly, but is not required. Place a few drops of vegetable oil on the threads of wood screws before screwing into hardwood parts.
5. Drawer glides are sometimes pre-packed with screws, these are not used.

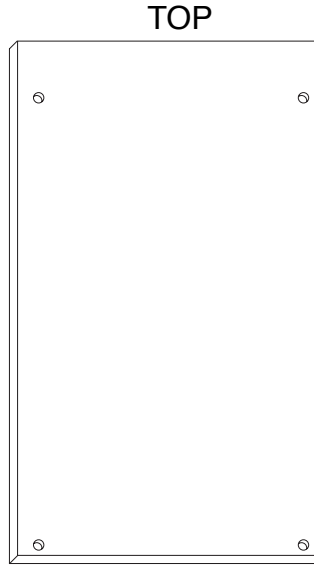
# CABINET PARTS 61532



**Table Top (1)**  
P/N: TT-61532/51424



**Side Panel (2)**  
P/N: SP-61532



**Back Panel (1)**  
P/N: BP-61532



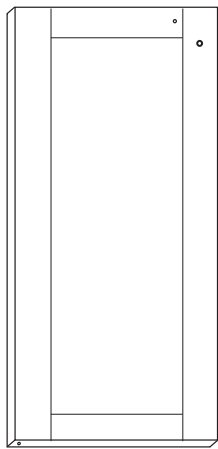
**Glide Support Sticks (2)**  
P/N: GLD SUP - 61532



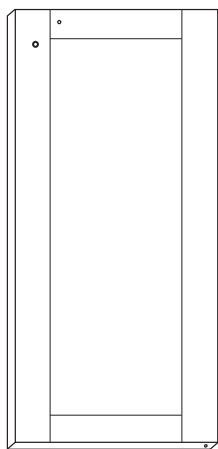
**Drawer Side Left (1)**  
P/N: DS - 61532/L



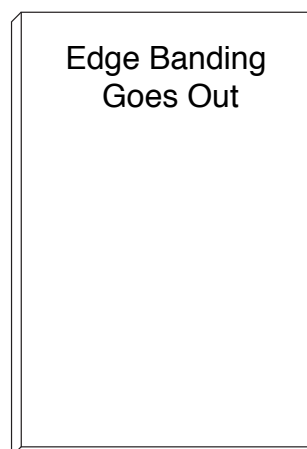
**Drawer Side Right (1)**  
P/N: DS - 61532/R



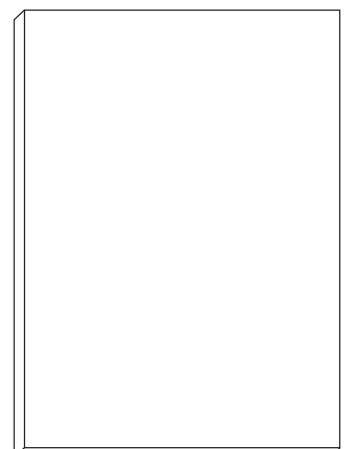
**Right Door (1)**  
P/N: DOR-61532/RP/R



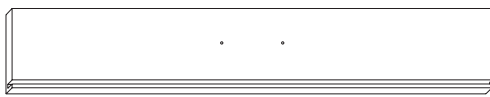
**Left Door (1)**  
P/N: DOR-61532/RP/L



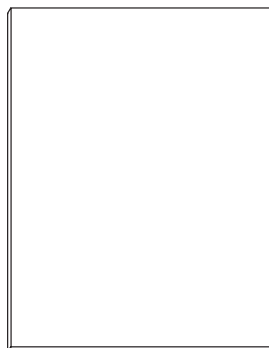
**Middle Shelf (1)**  
P/N: MS - 61532



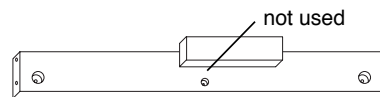
**Bottom Shelf (1)**  
P/N: BS - 61532



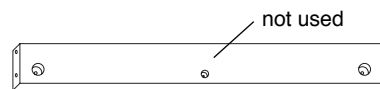
**Drawer Front (1)**  
P/N: DF - 61532



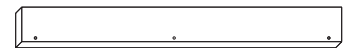
**Drawer Bottom (1)**  
P/N: DB - 61532



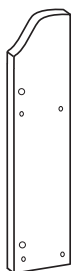
**Top Brace (1)**  
P/N: B-20 1/2 - TF - 61532



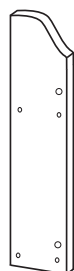
**Bottom Brace (1)**  
P/N: B-20 1/2 - BF - 61532



**Back Splash (1)**  
P/N: BSP - 61532



**Spice Rack  
Left Side (1)**  
P/N: SR - 61532L



**Spice Rack  
Right Side (1)**  
P/N: SR - 61532R



**Spice Rack Shelves (2)**  
P/N: SRS - 61532



**Drawer Back (1)**  
P/N: DBK - 61532

# HARDWARE 61532



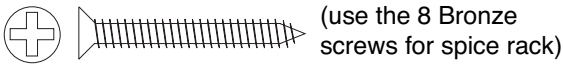
1" Phillips Flat Head #8 Screw (4)



1 3/4" Phillips Flat Head Bolt (8)



Cam Posts (2) (used on drawer front)



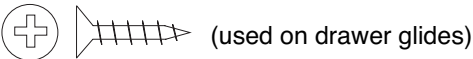
1 1/4" Phillips Flat Head #8 Screw (23)



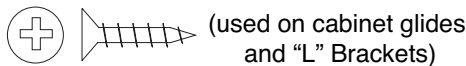
7/8" Truss Head Machine Screw (4)



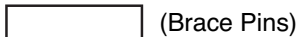
1" Truss Head Machine Screw (2)



5/8" Phillips Head #5 Screw (4)



5/8" Phillips Head #7 Screw (12)



3/4" Long 3/16" DIA. Steel Pin (4)

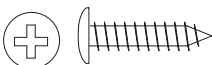


1" Long 3/16" DIA. Steel Pin (8)



1 1/2" Long 3/16" DIA. Steel Pin (4)

Magnet Packs (2)



5/8" #6 Pan Head Screw (4)



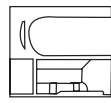
1/2" Phillips Flat Head #4 Screw (2)



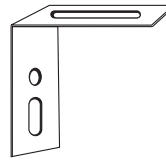
Magnet (2)



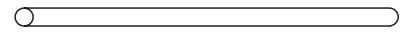
Magnet Plate (2)



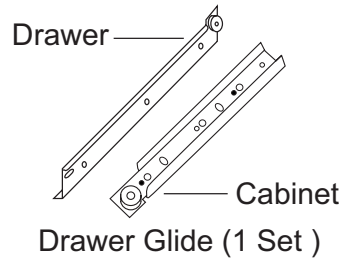
Cam (2)



L-Bracket (4)



Retainer Rods for Spice Rack (2)



Drawer Glide (1 Set)



5/8" Wooden Disk (8)



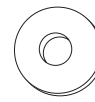
10-24 Hex Nut (8)



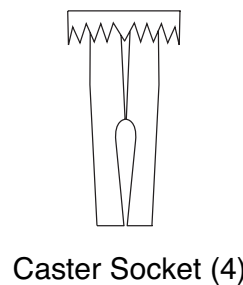
Nickel Handle (3)



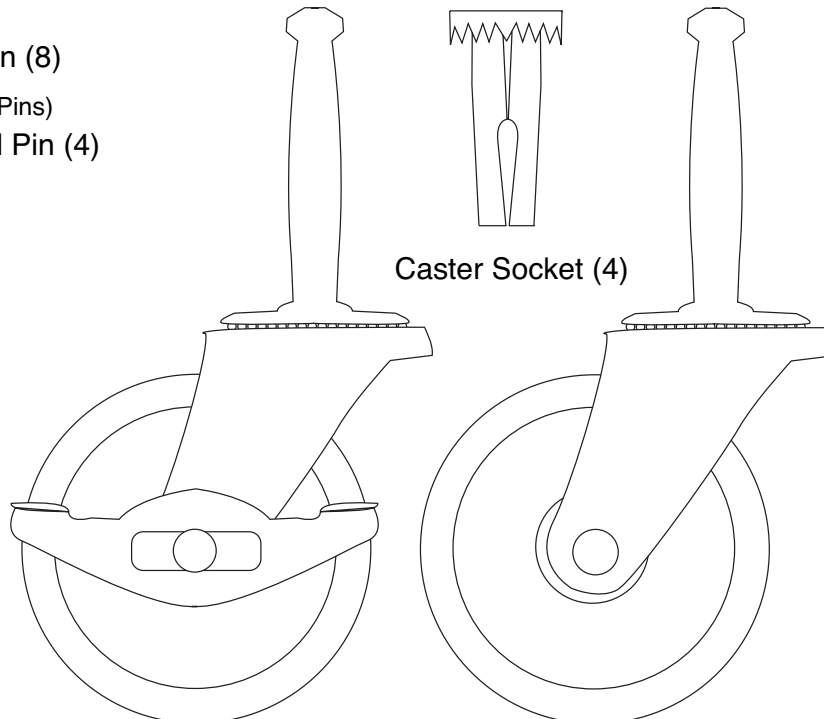
Towel Bar Post (2)



3/16" Flat Washer (6)



Caster Socket (4)



Locking Wheel Caster (2)

Non-Locking Wheel Caster (2)

Towel Bar (1)

# STEP 1

A. Tap/insert ONE 1 1/2" pin into each end of both doors. DON'T OVERDRIVE PINS! Pins should stick up about 1/2" when seated.

B. Attach the magnet plates (may be stuck to magnet!) with the small flat head screw to the top of the right door. Bumps toward wood.

C. Attach door handles with four 7/8" truss head machine screws.

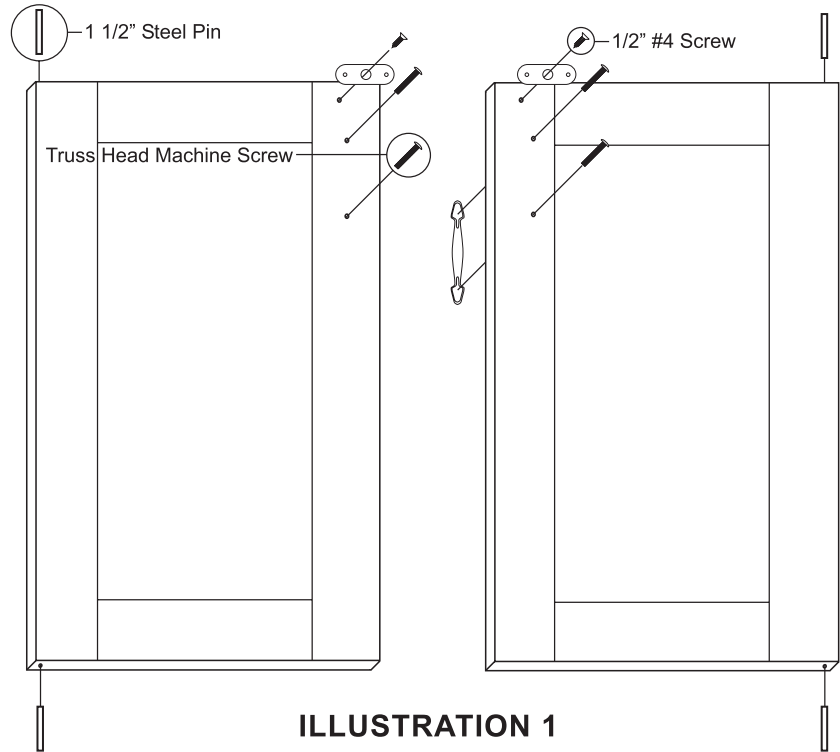

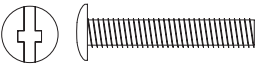


ILLUSTRATION 1

 4 used in this step  
1 1/2" Long 3/16" DIA. Steel Pin

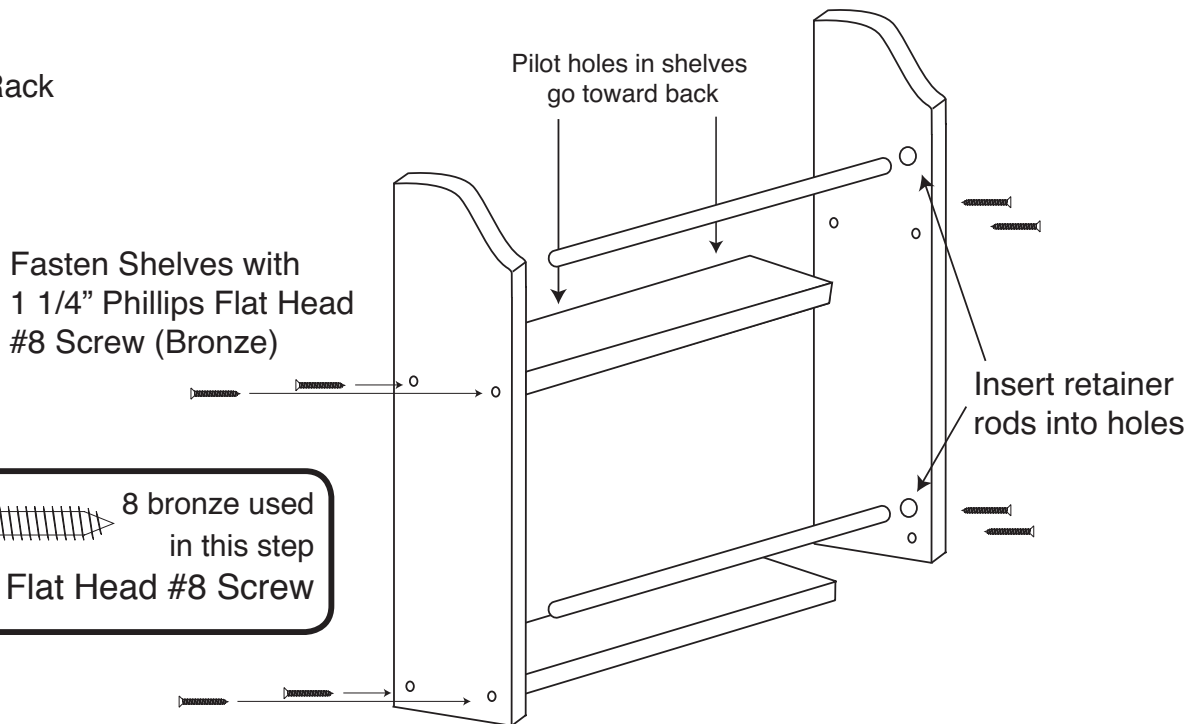
 4 used in this step  
7/8" Truss Head Machine Screw

 Magnet Plate

 2 used in this step  
1/2" Phillips Flat Head #4 Screw

# STEP 2

Assemble Spice Rack



### STEP 3

A. Attach the drawer back to the drawer sides with four 1 1/4" #8 screws. Make sure parts are aligned as in illustration 3A.

B. Insert drawer bottom into the slots in the drawer sides, best side to inside of drawer. Slide down until seated in the slot in the drawer back. See illustration 3B.

C. Screw the cam posts into the two outside holes on the inside face of the drawer front until seated. Only 3/8" of the post goes into the wood, leaving the 4 larger guide rings/head exposed. See illustration 3C. Visit us at [www.catskillcraftsmen.com](http://www.catskillcraftsmen.com) to view our cam video.

D. Insert the posts into holes in the drawer sides until seated against the front end of the drawer sides. Insert cams so that slot in the cam fits over the post and turn with Phillips screwdriver until seated. Don't over-torque! See illustration 3D.

E. Attach drawer handle with the two 1" Truss Head screws. (no illustration).

F. Attach drawer glides to drawer sides using 5/8" #5 screws. See illustration 3E

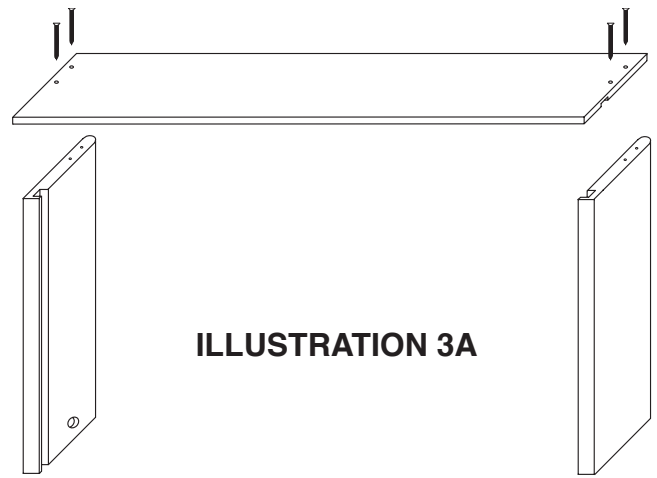


ILLUSTRATION 3A

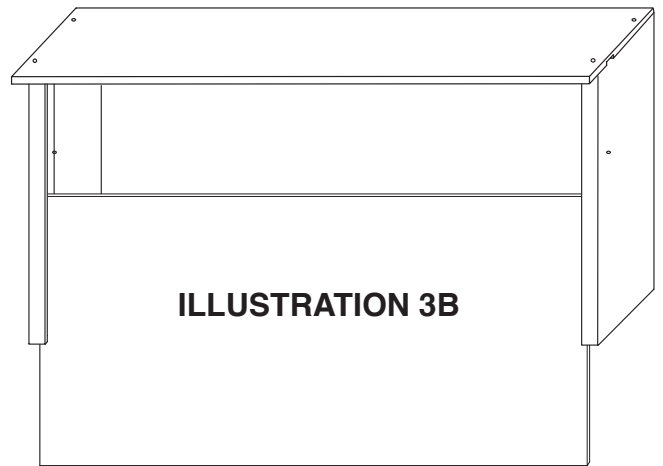


ILLUSTRATION 3B

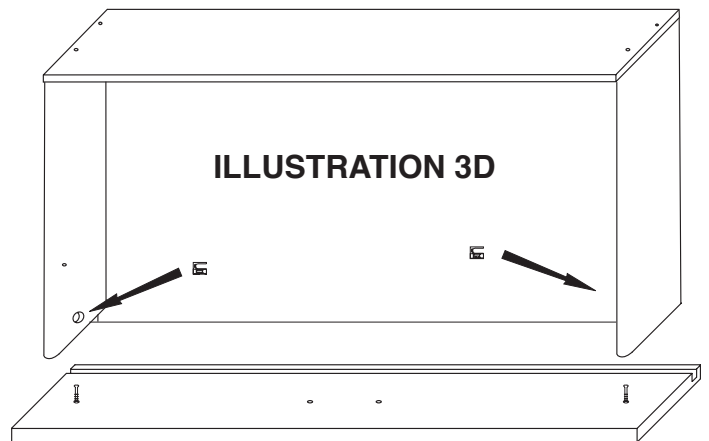


ILLUSTRATION 3D

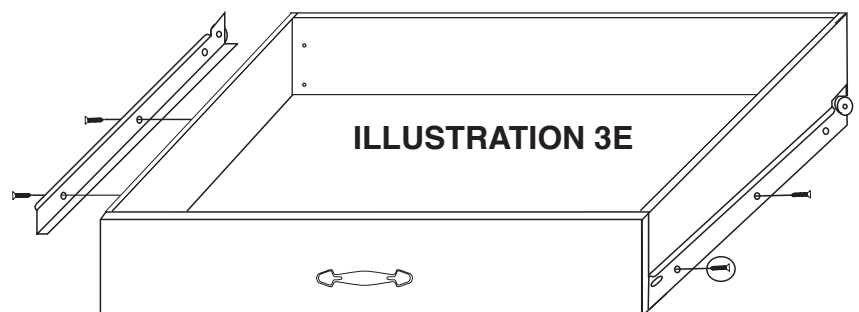
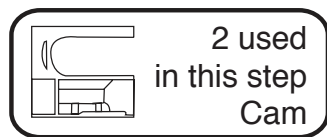
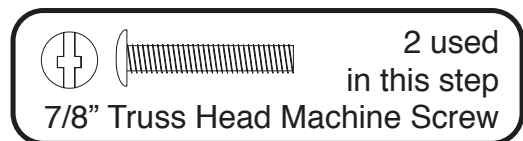
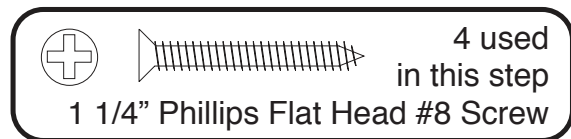
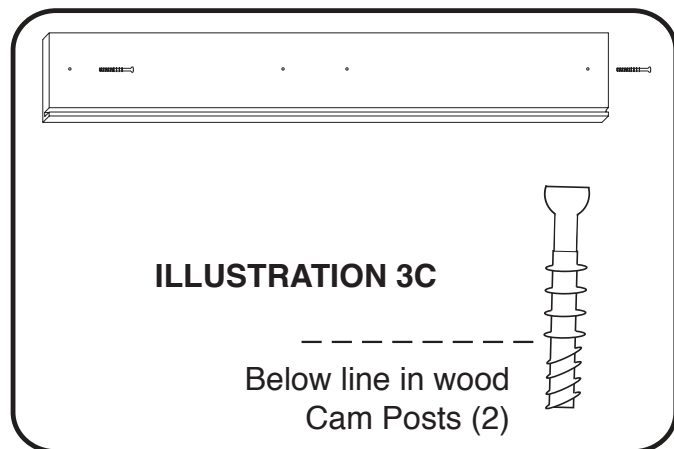


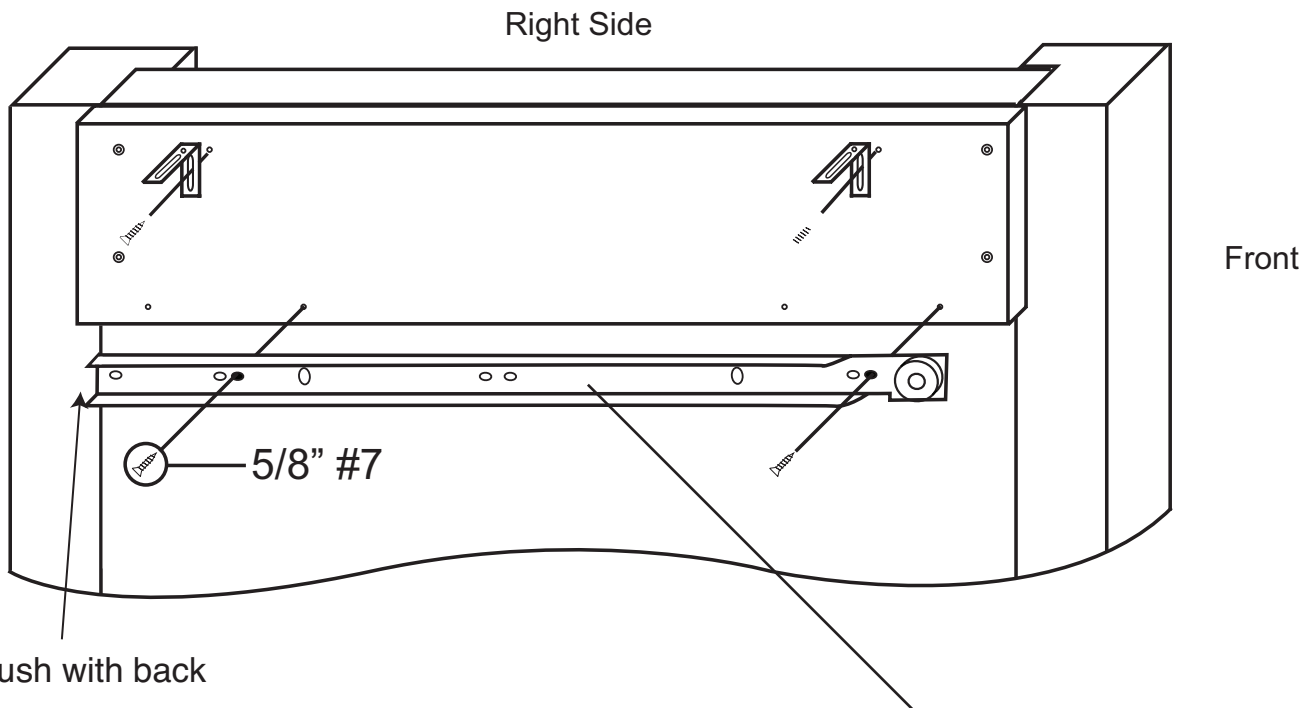
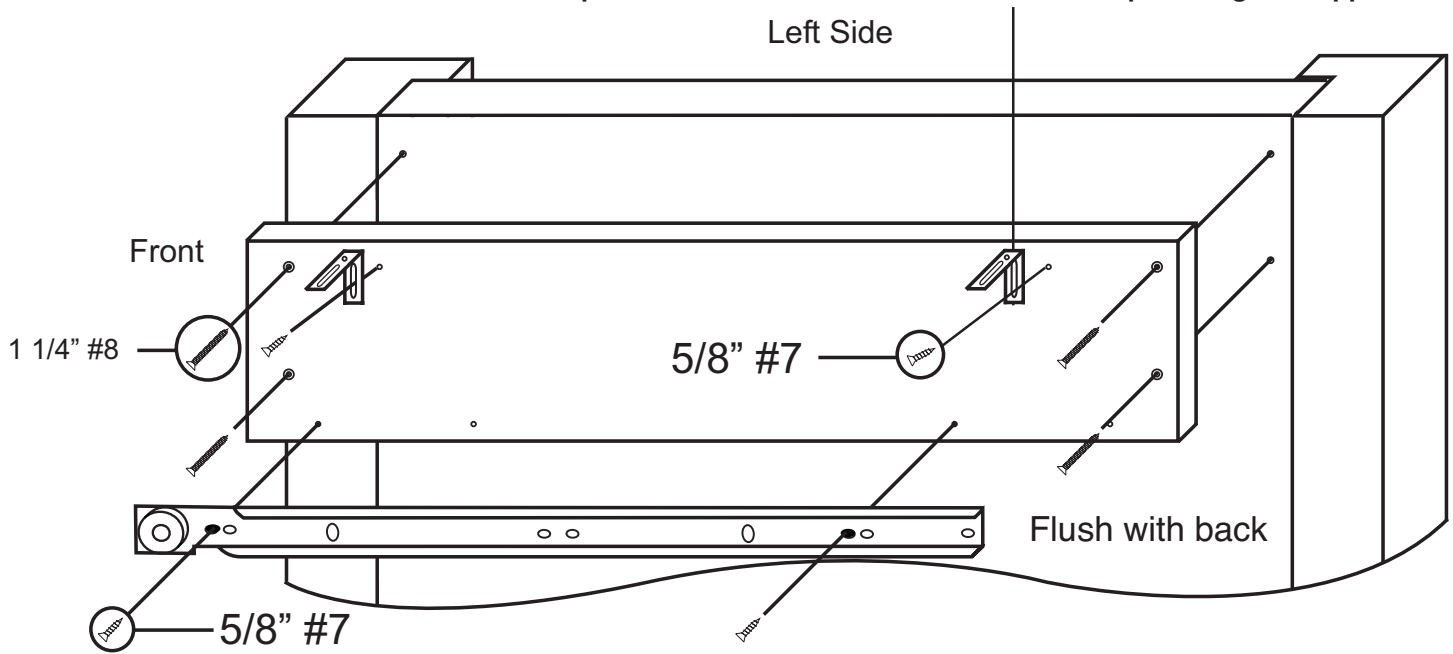
ILLUSTRATION 3E

# STEP 4

## Glide Support Assembly

The "L" brackets are attached to the Glide Support using the large slot in the "L" bracket. The Hole will be used to attach the table top.

**Top of "L" Bracket should be even with the top of the glide support**



Note: Glide holes sometimes change, just make sure the cabinet glides are flush with the back of the glide supports & pilot holes will line up - only 2 holes are used!

The glides look almost alike; however, they are stamped CR for cabinet right and CL for cabinet left.

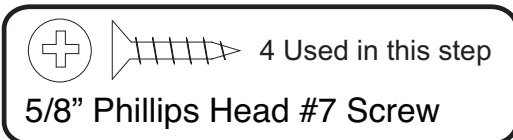
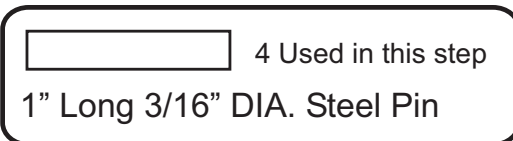
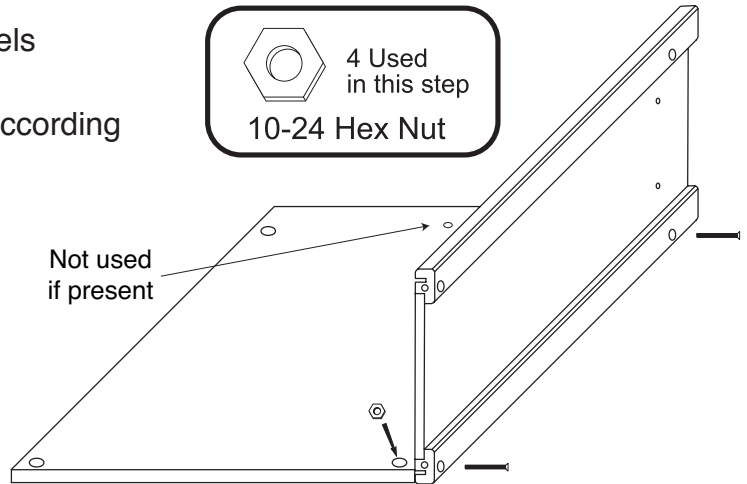
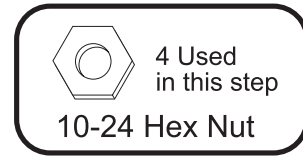
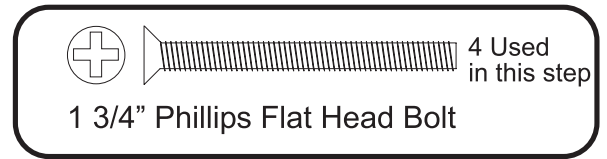
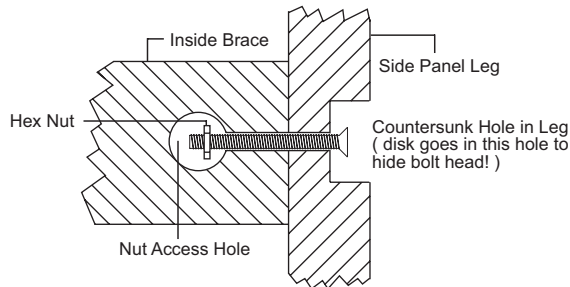
## STEP 5

A. Lay back panel flat on a smooth surface with holes up.

B. Attach both side panels with 1 3/4" machine screws (bolts) and hex nuts. After inserting bolt(s) through the holes in the side panels, through the holes in the long edges of the back panel, place a hex nut on the tip of your finger, align nut with bolt and tighten.

C. Look ahead to step 7 which shows side panels attached to back panel.

Note: Make sure you position the side panels according to drawer side (left or right).

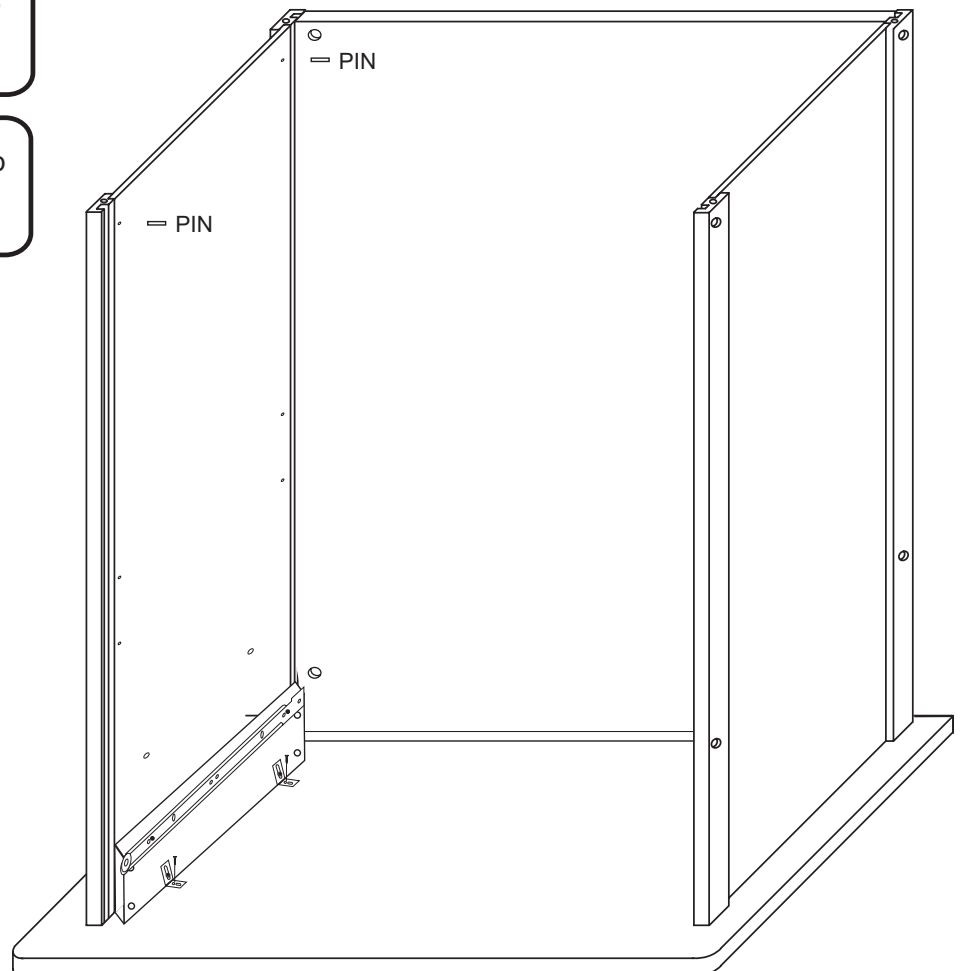


## STEP 6

A. Turn the side/back assembly (from step 2) upside down (invert) on top of the inverted table top.

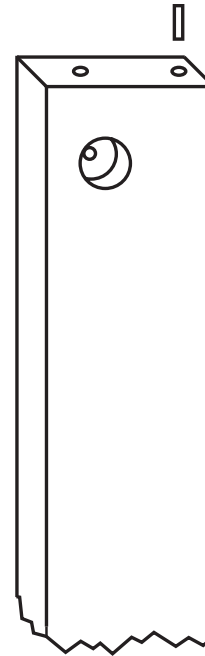
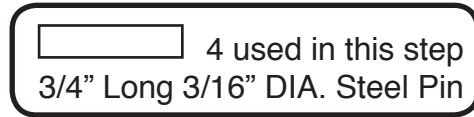
B. Align the "L" brackets with the 4 inside pilot holes in the table top and secure with 5/8" #7 screws. The outer pilot holes will not be used with this model.

C. Tap two 1" pins into each side panel. These pins will hold the bottom shelf. See illustration 7.



## STEP 7

Take the 2 front braces and tap/insert one 3/4" steel pin into each end of both braces until seated. About 3/8" will stick out when seated. Ok if loose.



## STEP 8

A. Take the top front brace (with magnet block), insert the pins in the brace ends into the slots of the inside of the front legs and slide down until the holes in the brace ends align with the holes in the front legs as in the illustration. The pin holes for the door pins will be up as will the magnet block.

B. Secure brace with 1 3/4" bolts and hex nuts.

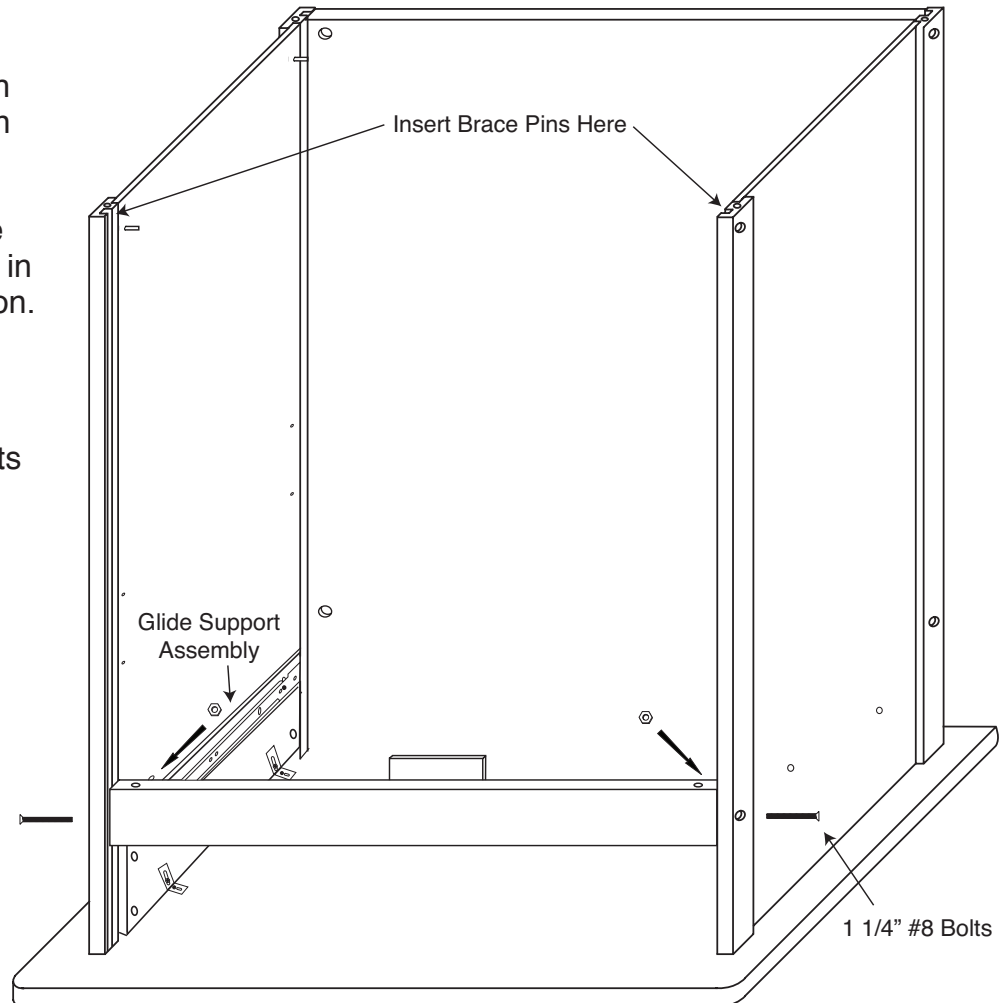


ILLUSTRATION 8



2 used in this step  
1 3/4" Phillips Flat Head Bolt



2 used in this step  
10-24 Hex Nut

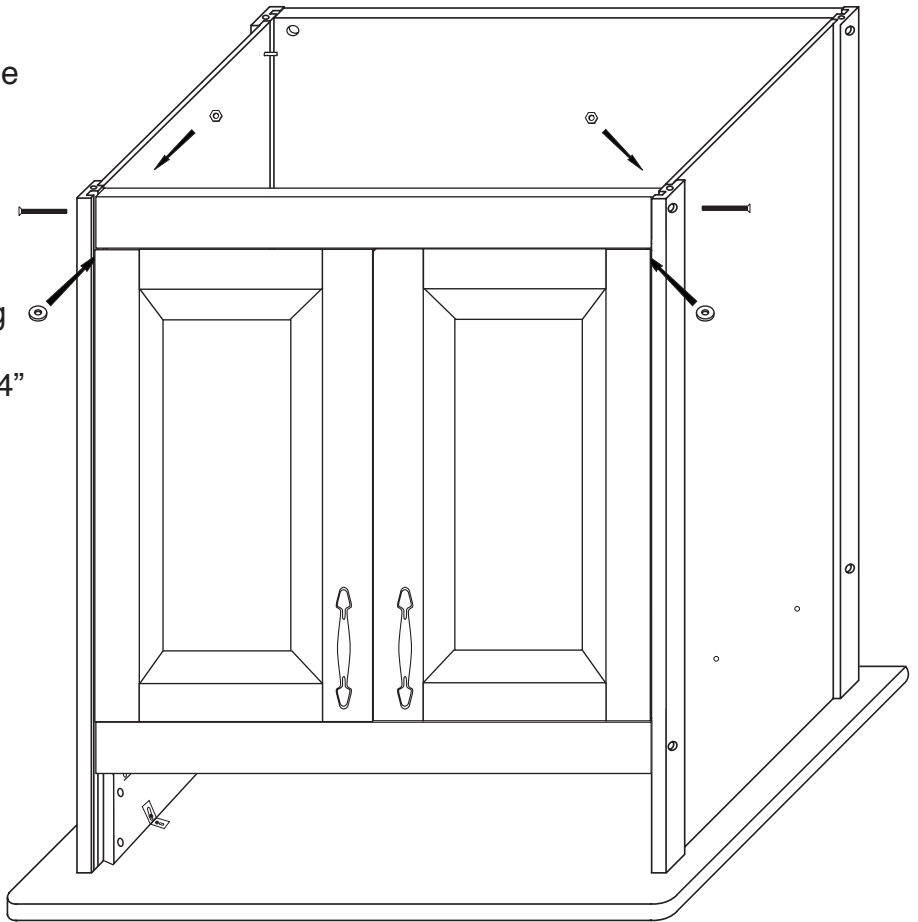


## STEP 9

A. Install doors by inserting pins in the door tops into the holes in the long edge top front brace.

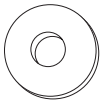
B. Place one washer on each pin in the door bottoms.

C. Take the bottom front brace, align pins in door bottoms with holes along top long edge of brace (are washers on pins?) and secure brace with 1 3/4" bolts/hex nuts as before.



2 Used  
in this step

10-24 Hex Nut



2 Used  
in this step

3/16" Flat Washer



1 3/4" Phillips Flat Head Bolt

2 Used in this step

## STEP 10

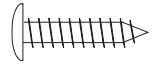
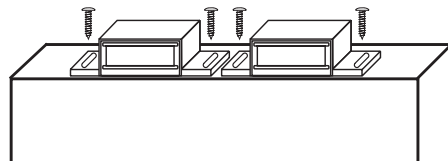
A. Stick magnet to magnet plate on right door.

B. With left door open, close the right door. The magnet should be positioned over the wooden block on the bottom of the top front brace. Hold the magnet in place with your thumb, and open the right door. The magnet will be in the correct position on the block.

C. Secure magnet with the two pan head screws in the magnet packet. Center screws in the slots in the magnet. This will allow adjustment later, if needed.

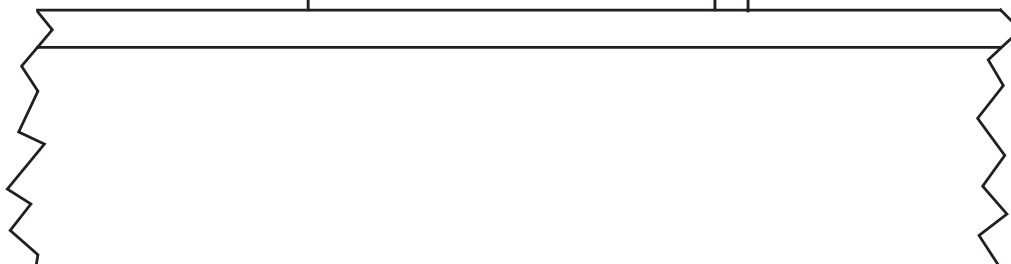
NOTE: No pilot holes in block as softwood!

D. Repeat with left door.



4 Used  
in this step

5/8" Pan Head Screw



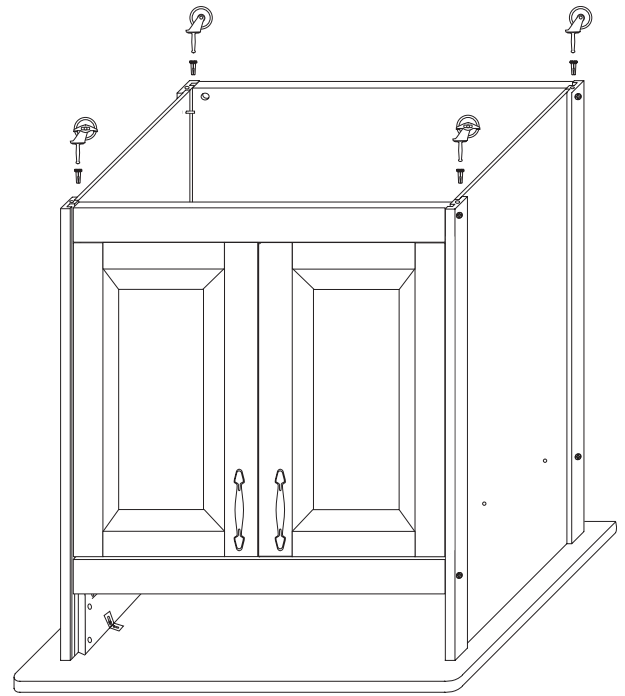
Magnet (2)

## STEP 11

A. Insert and tap caster sockets with hammer until the teeth grab the wood. **DON'T POUND SOCKET FLAT OR CASTER SHAFT WILL NOT ENTER.**

B. Insert casters and seat by pushing straight downward with heel or your hand, or tap into place with a hammer. Don't be afraid to give them a good downward whack on the solid metal part of the caster!

C. Locking wheels usually go on back, but can go diagonally or on the front if cart is moved a lot.



## STEP 12

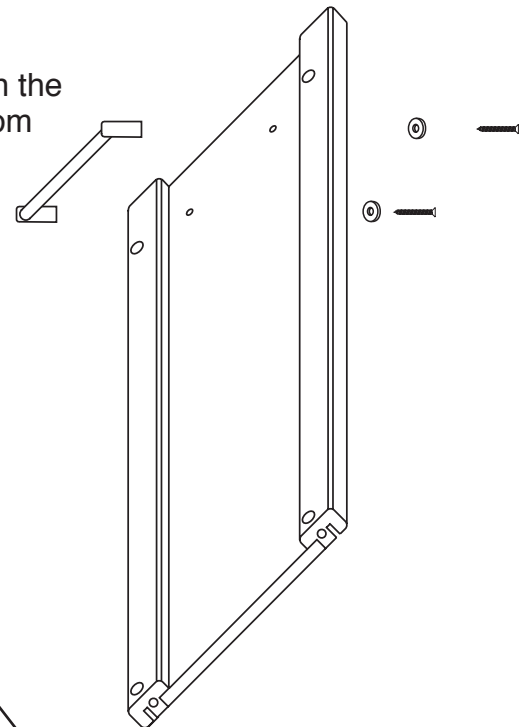
Decide which side you want the towel bar on. Place a washer on the 1" #8 screws and attach handle/towel bar to either side panel from inside the side panel.



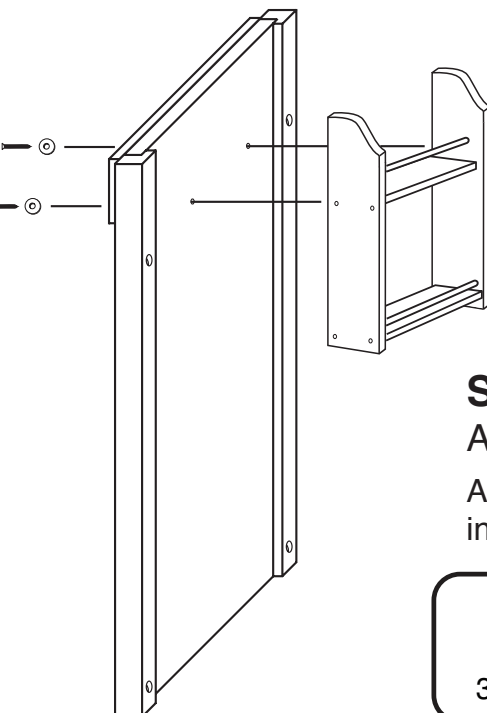
2 used in this step  
1" Phillips Flat Head #8 Screw



2 used in this step  
3/16" Flat Washer



Phillips Flat Head  
1" #8 Screw



## STEP 13

Attach Spice Rack to Side Panel

Attach the spice rack to the other side using 1" #8 screws into pilot holes in top shelf. Place washer over screws first.



2 used in this step  
3/16" Flat Washer



2 used in this step  
**PHILLIPS FLAT HEAD 1" #8 SCREW**

## STEP 14

A. Upright unit. Take bottom shelf (no edge banding) and place it on the set of back pins. Close doors and shelf will drop into place.

B. Decide on position of middle shelf, then tap two 1" pins into each side panel, making sure the pins on both sides are in the same relative position. To remove a pin, use pliers or claw hammer.

C. Place middle shelf, edge banding out, on pins.

D. Insert drawer.

Note: If the top edge of the drawer front hits the underside of the cart top or the top edge of the top front brace, loosen the machine screws in the top front brace a little and adjust brace down until drawer opens/closes freely - check to make sure doors open/close freely.

E. Re-tighten all bolts/nuts. Tap wooden disks into sides.

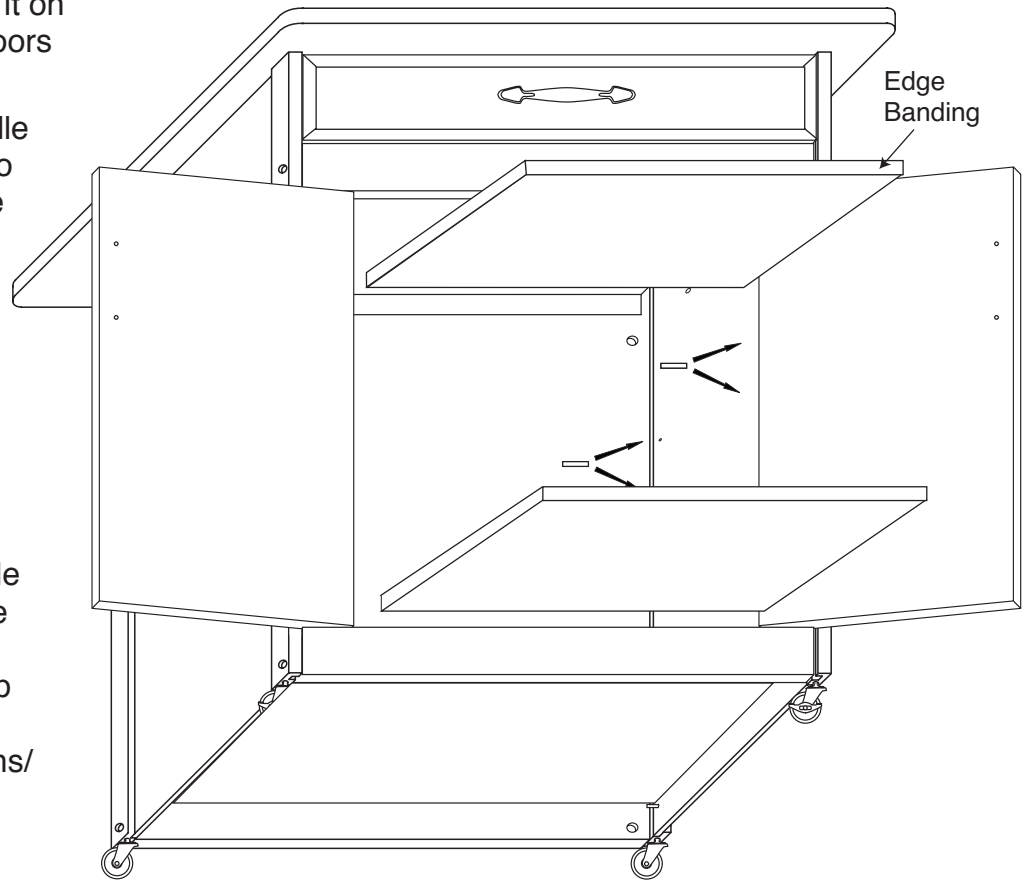
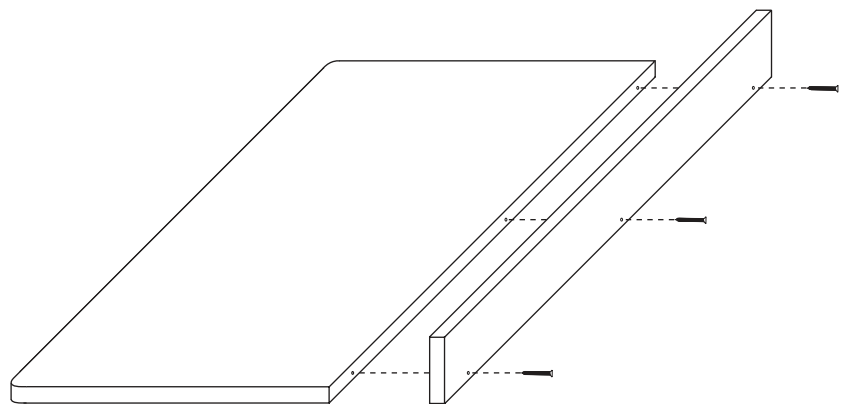
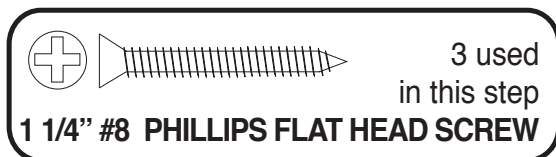


ILLUSTRATION 15

## STEP 15

### Assemble Backsplash

Attach the backsplash to the back edge of the table top with 1 1/4" #8 screws in three places as shown.





For continued beauty and long life of your Catskill Craftsmen cart, we recommend Catskill Craftsmen's Butcher Block Oil.

Our Butcher Block Oil is available directly from Catskill Craftsmen's factory. For one eight ounce (8 fl. oz.) bottle, which is sufficient for two applications, simply send \$6.95 along with the completed coupon to the address below. Visit us online at [www.catskillcraftsmen.com](http://www.catskillcraftsmen.com) to browse our assortment of butcher block care products. Visa and Mastercard are accepted online .



Catskill Craftsmen, Inc.  
15 West End Ave.  
Stamford, NY 12167-1296



### BUTCHER BLOCK OIL COUPON

Please send me \_\_\_\_\_ # of bottle(s) of the Catskill Craftsmen Butcher Block Oil at \$6.95 per bottle. My check or money order is enclosed for a total of \$\_\_\_\_\_.

Item code: 61532

Name \_\_\_\_\_

Address \_\_\_\_\_

City \_\_\_\_\_

State \_\_\_\_\_ Zip \_\_\_\_\_

Please make checks payable to Catskill Craftsmen Inc. 15 West End Ave., Stamford, NY 12167-1296