



**Assembly Instructions
Model 53017**

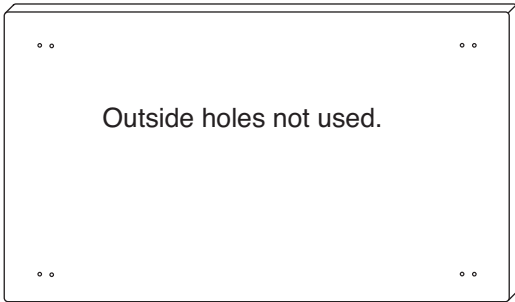
Designer Island with Flat Panel Doors



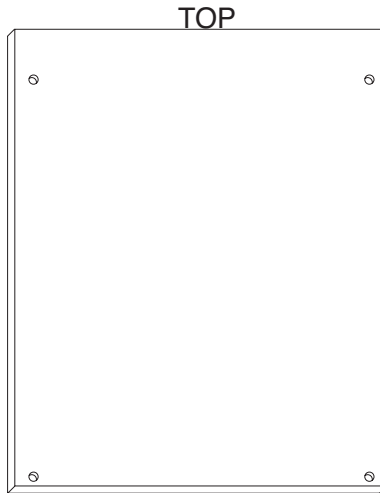
GENERAL:

1. You have purchased model 53017.
2. Should you need assistance or need to replace a damaged or missing part simply give us a call M-F at 607-652-7321 from 7:30 am - 4:30 pm EST and we'll send you the prepaid part via UPS usually that same day! You may also email us info@catskillcraftsmen.com.
3. Read the assembly instructions and the enclosed brochure before beginning assembly. Assembly is easy if you read and follow the instructions step by step. See our website for assembly tips and videos.
4. The only tools needed are a hammer, a small and a medium Phillips head screwdriver and a medium flat blade screwdriver. A pencil is also needed. A power screwdriver will speed assembly, but is not required. Place a few drops of vegetable oil on the threads of wood screws before screwing into the solid hardwood parts.
5. Glides are sometimes pre-packed with screws. These are not used.

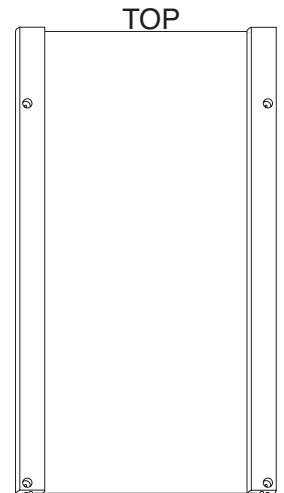
CABINET PARTS 53017



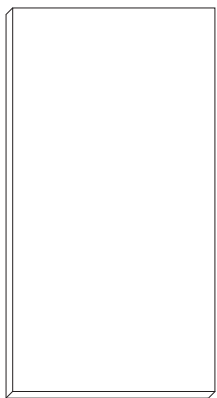
Cabinet Top (1)
P/N: TT-53017



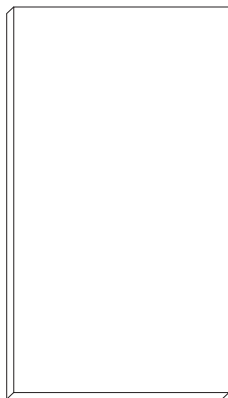
Back Panel (1)
P/N: BP-53017



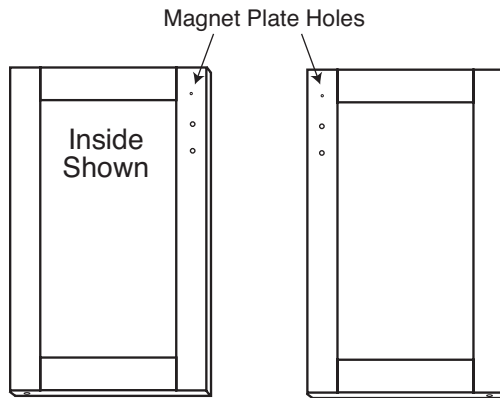
Side Panels (2)
P/N: SP-53017



Middle Shelf (1)
Has Edge Banding
P/N: MS-53017

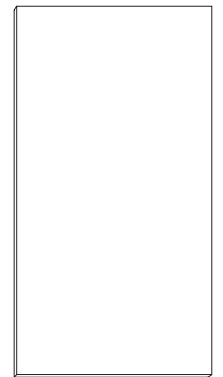


Bottom Shelf (1)
P/N: BS-53017



Right Door (1)
P/N: DOR-53017R

Left Door (1)
P/N: DOR-53017L



Drawer Bottom (1)
P/N: DBOT-53017



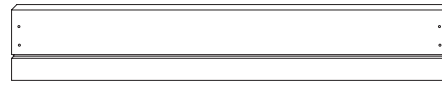
Drawer Side Left (1)
P/N: DS-53017L



Drawer Front (1)
P/N: DF-53017



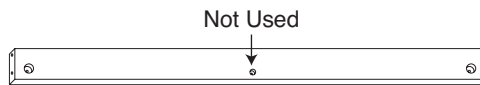
Drawer Side Right (1)
P/N: DS-53017R



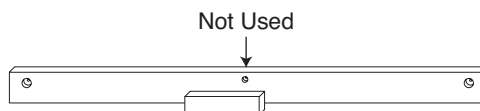
Drawer Back (1)
P/N: DBK-53017



Glide Support Sticks (2)
P/N: GLD SUP - 53017

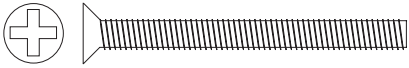


Bottom Front Brace (1)
P/N: B-53017 BF

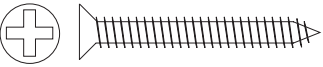


Top Front Brace (1)
P/N: B-53017 TF

CABINET HARDWARE 53017



1 3/4" Phillips Flat Head Bolts (8)



1 1/4" Phillips Flat Head #8 Screw (12)



Cam Posts (2)



7/8" Truss Head Machine Screw (8)



5/8" Phillips Flat Head #7 Screw (12)



5/8" Phillips Head #5 Screw (4)



3/4" Long 3/16" Dia. Steel Pin (4)



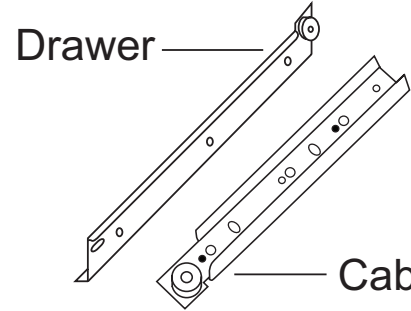
1" Long 3/16" Dia. Steel Pin (8)



1 1/2" Long 3/16" Dia. Steel Pin (4)



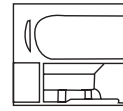
Handles (4)



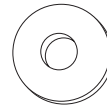
Drawer

Cabinet

14" Drawer Glide (1 Set)



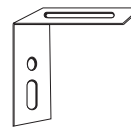
Cam (2)



3/16" Flat Washer (2)



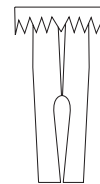
10-24 Hex Nut (8)



"L" Bracket (4)

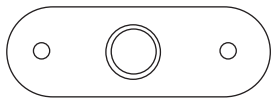


5/8 Wooden Disk (8)



Caster Socket (4)

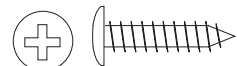
MAGNET PACK



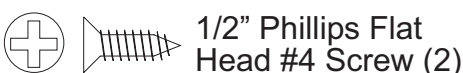
Magnet Plate (2)



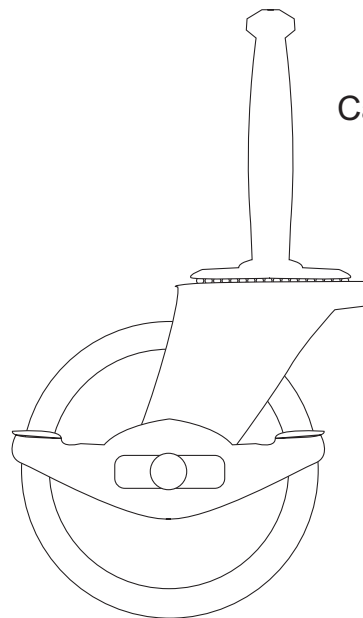
Magnet (2)



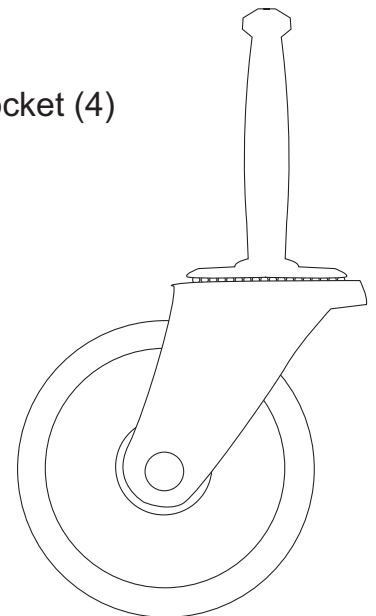
5/8" #6 Pan Head Screw (4)



1/2" Phillips Flat Head #4 Screw (2)



Locking Wheel Caster (2)



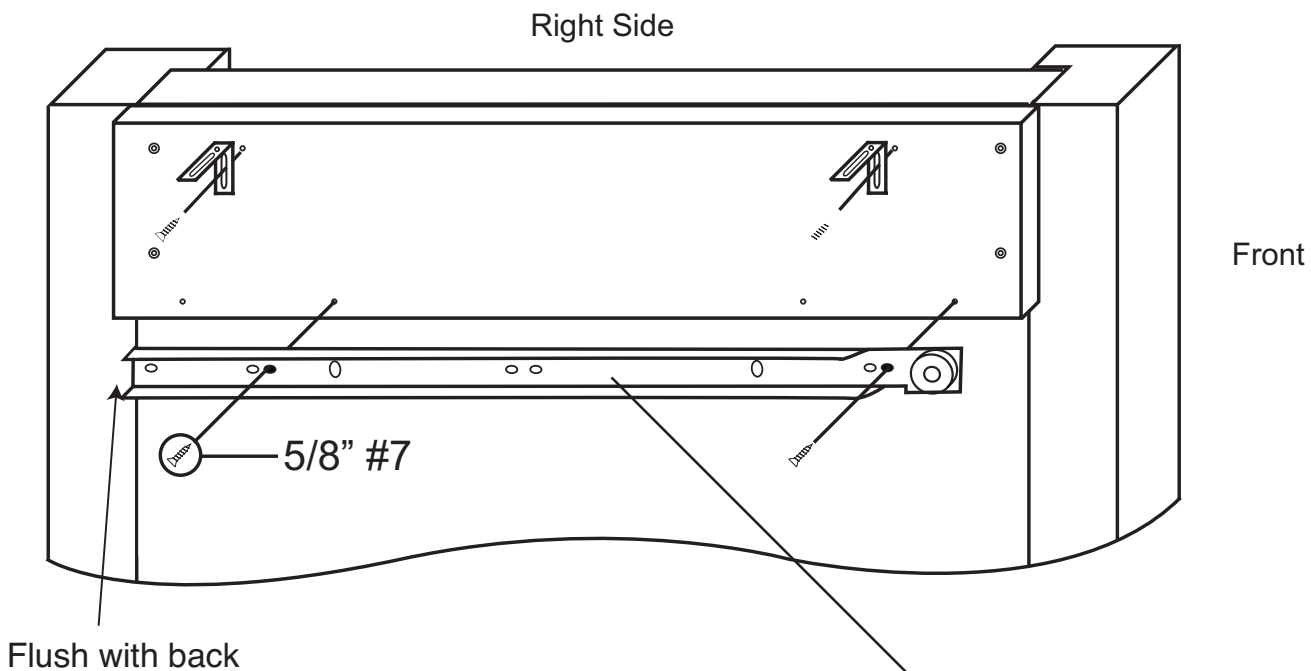
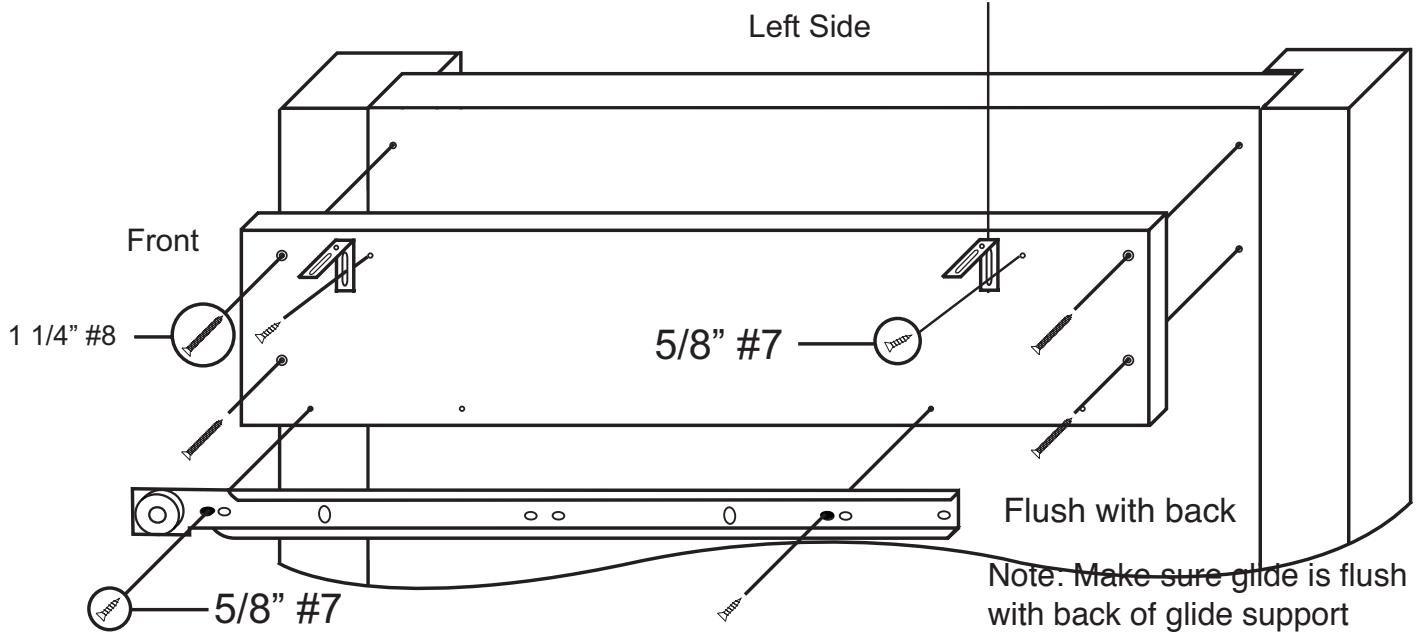
Non-Locking Wheel Caster (2)

STEP 1

Glide Support Assembly

The "L" brackets are attached to the Glide Support using the large slot in the "L" bracket. The Hole will be used to attach the table top.

Top of "L" Bracket should be even with the top of the glide support



Note: Glide holes sometimes change, just make sure the cabinet glides are flush with the back of the glide supports & pilot holes will line up - only 2 holes are used!

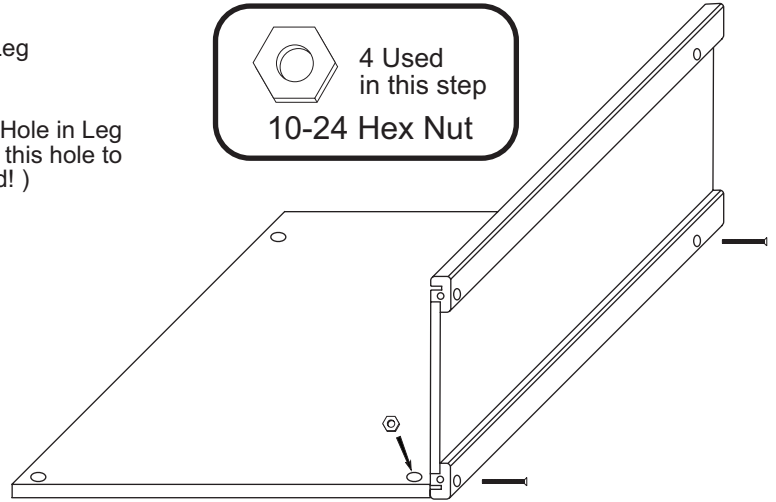
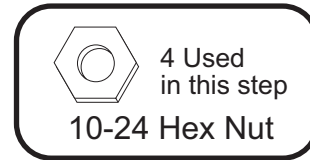
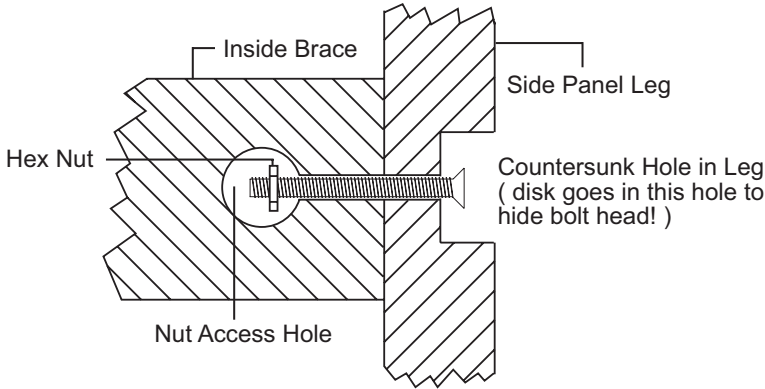
The glides look almost alike; however, they are stamped CR for cabinet right and CL for cabinet left.

STEP 2

A. Lay back panel flat on a smooth surface with holes up.

B. Attach side panels with 1 3/4" machine screws (bolts) and hex nuts. After inserting bolts(s) thru the holes in the side panels, thru the holes in the long edges of the back panel, place a hex nut on the tip of your finger, align nut with bolt and tighten.

C. Look ahead to step 3 which shows side panels attached to back panel.

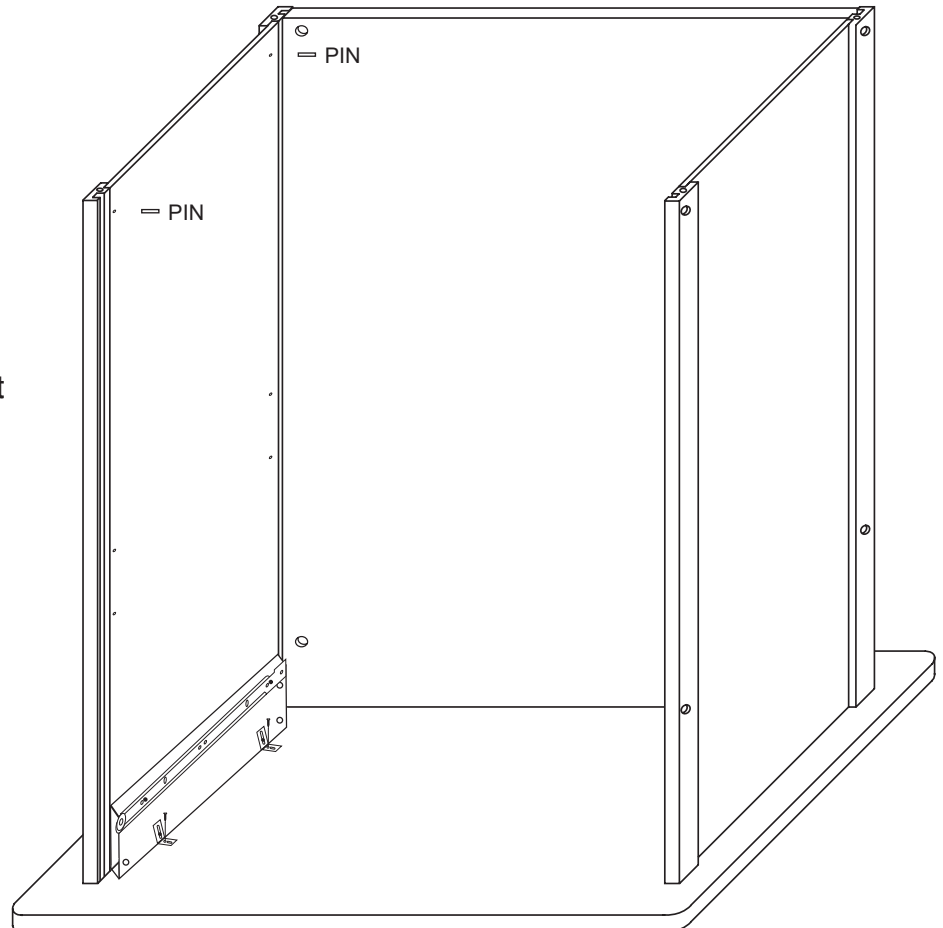
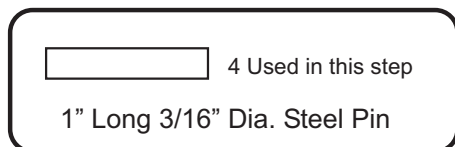
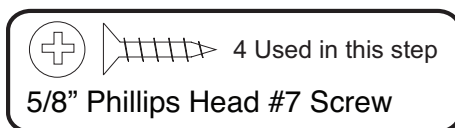


STEP 3

A. Turn the side/back assembly (from step 2) upside down (invert) on top of the inverted table top.

B. Tap two 1" pins into each side panel. These pins will hold the bottom shelf. See illustration 4

C. Attach to top using 5/8" #7 screws through the hole in the "L" Brackets. Use the inside set of pilot holes, the outside holes will not be used on this model.



STEP 4

A. Attach the drawer back to the drawer sides with four 1 1/4" #8 screws. Make sure parts are aligned as in illustration 4A.

B. Insert drawer bottom into the slots in the drawer sides, best side to inside of drawer. Slide down until seated in the slot in the drawer back. See illustration 4B.

C. Screw the cam posts into the two outside holes on the inside face of the drawer front until seated. Only 3/8" of the post goes into the wood, leaving the 4 larger guide rings/head exposed. See illustration 4C.

D. Insert the posts into holes in the drawer sides until seated against the front end of the drawer sides. Insert cams so that slot in the cam fits over the post and turn with Phillips screwdriver until seated. Don't over-torque! See illustration 4D.

E. Attach drawer handle with the two handle screws (no illustration).

F. Attach drawer glides to drawer sides using 5/8" #5 screws. See illustration 4F. Drawer glides are flush with the front of the drawer sides.

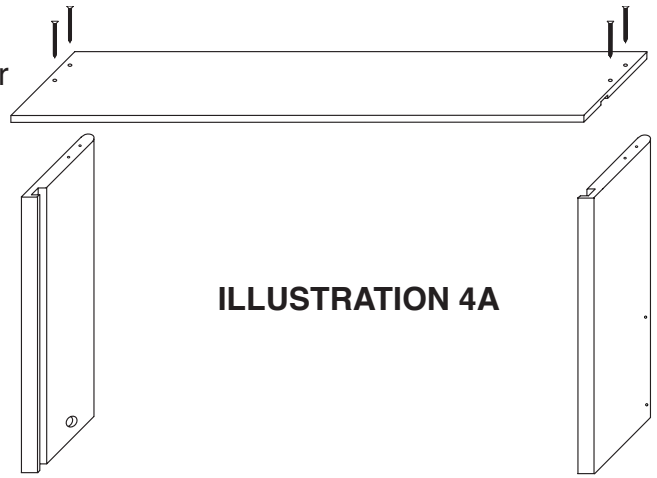


ILLUSTRATION 4A

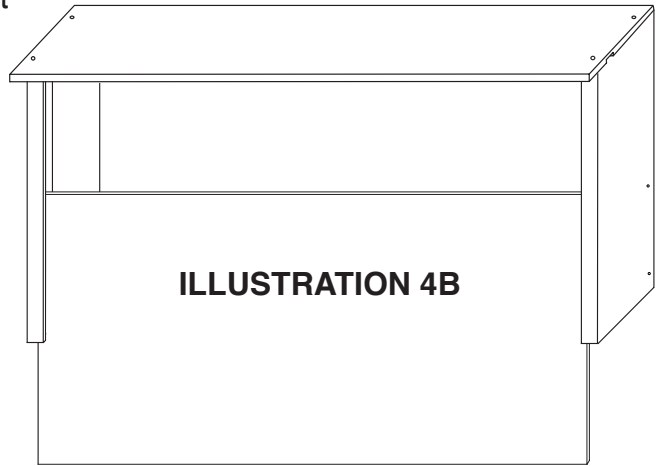


ILLUSTRATION 4B

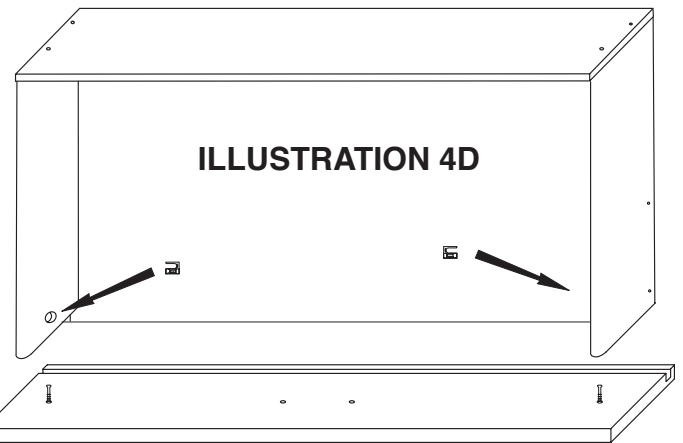


ILLUSTRATION 4D

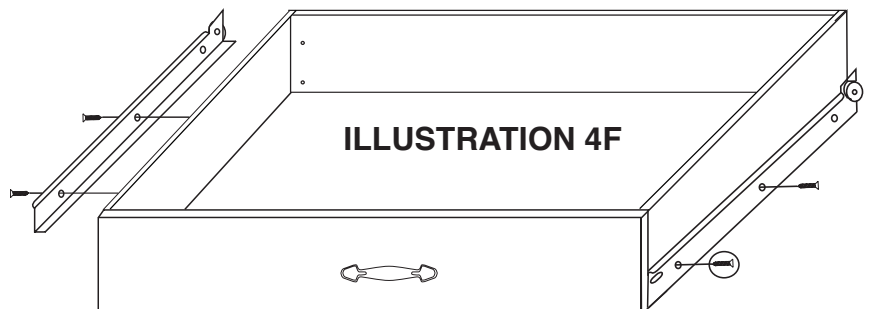
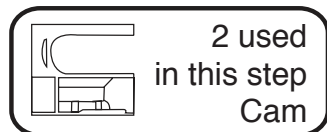
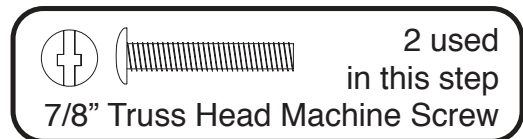
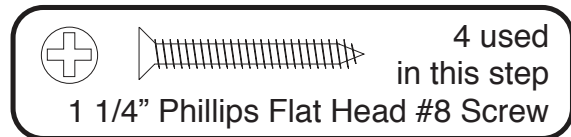
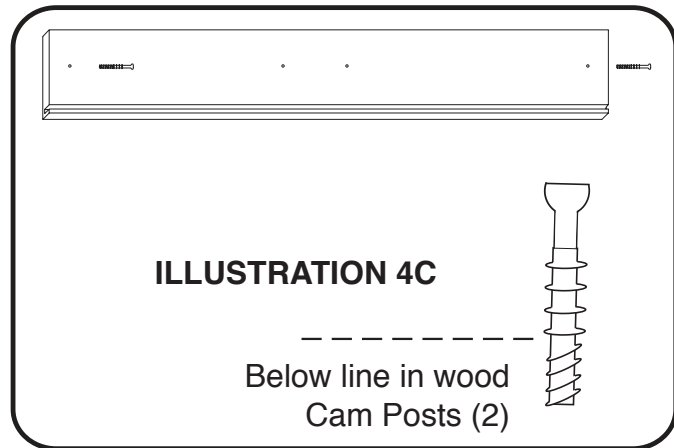
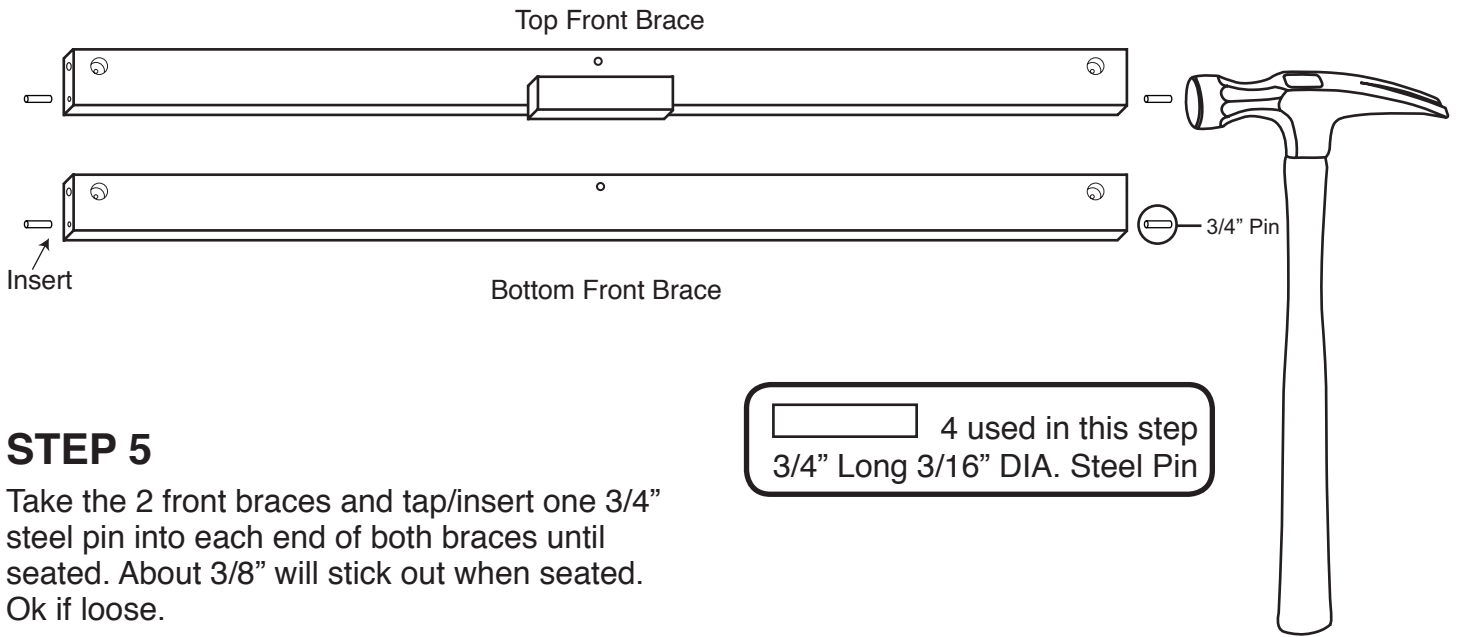


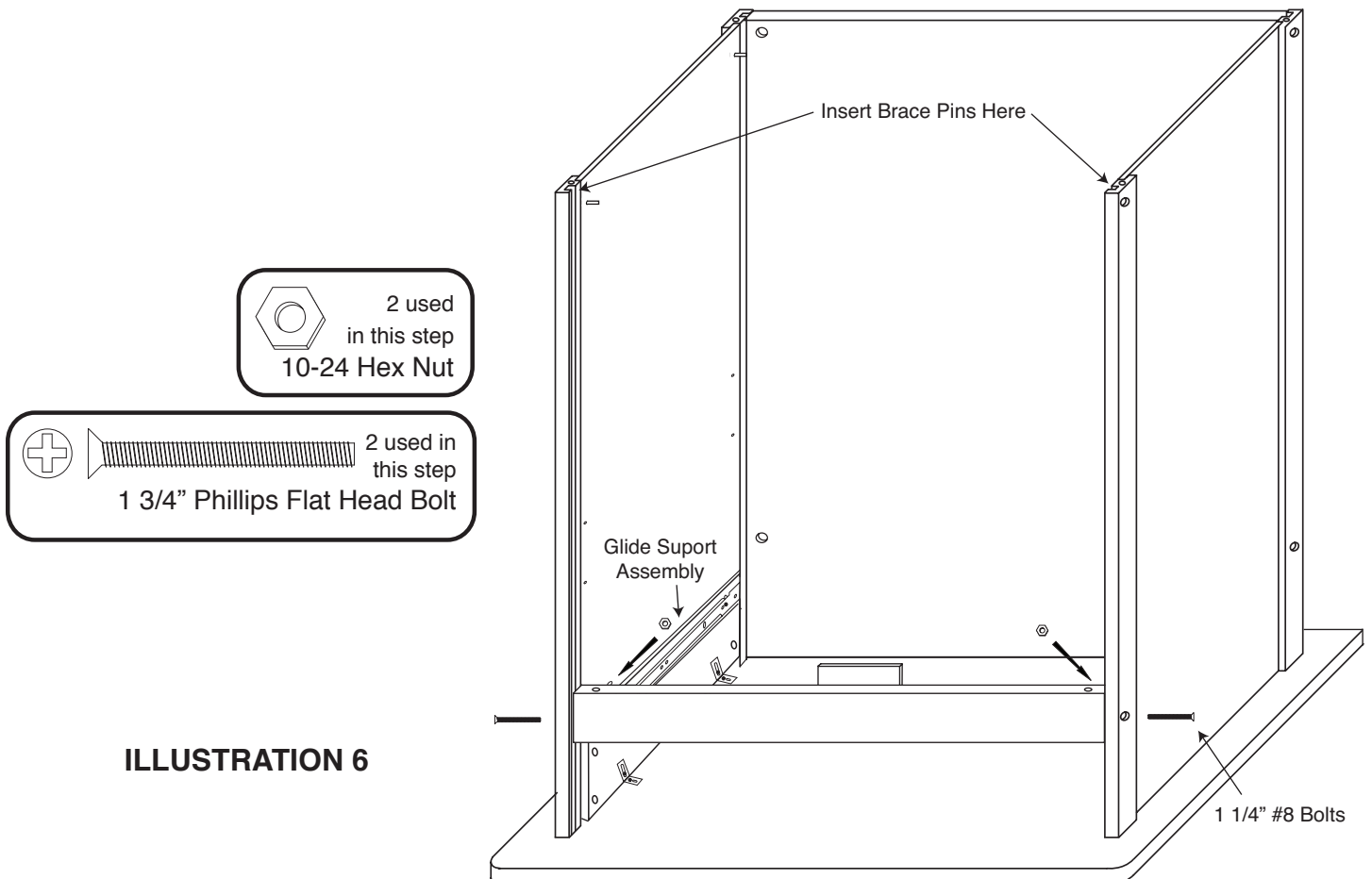
ILLUSTRATION 4F



STEP 6

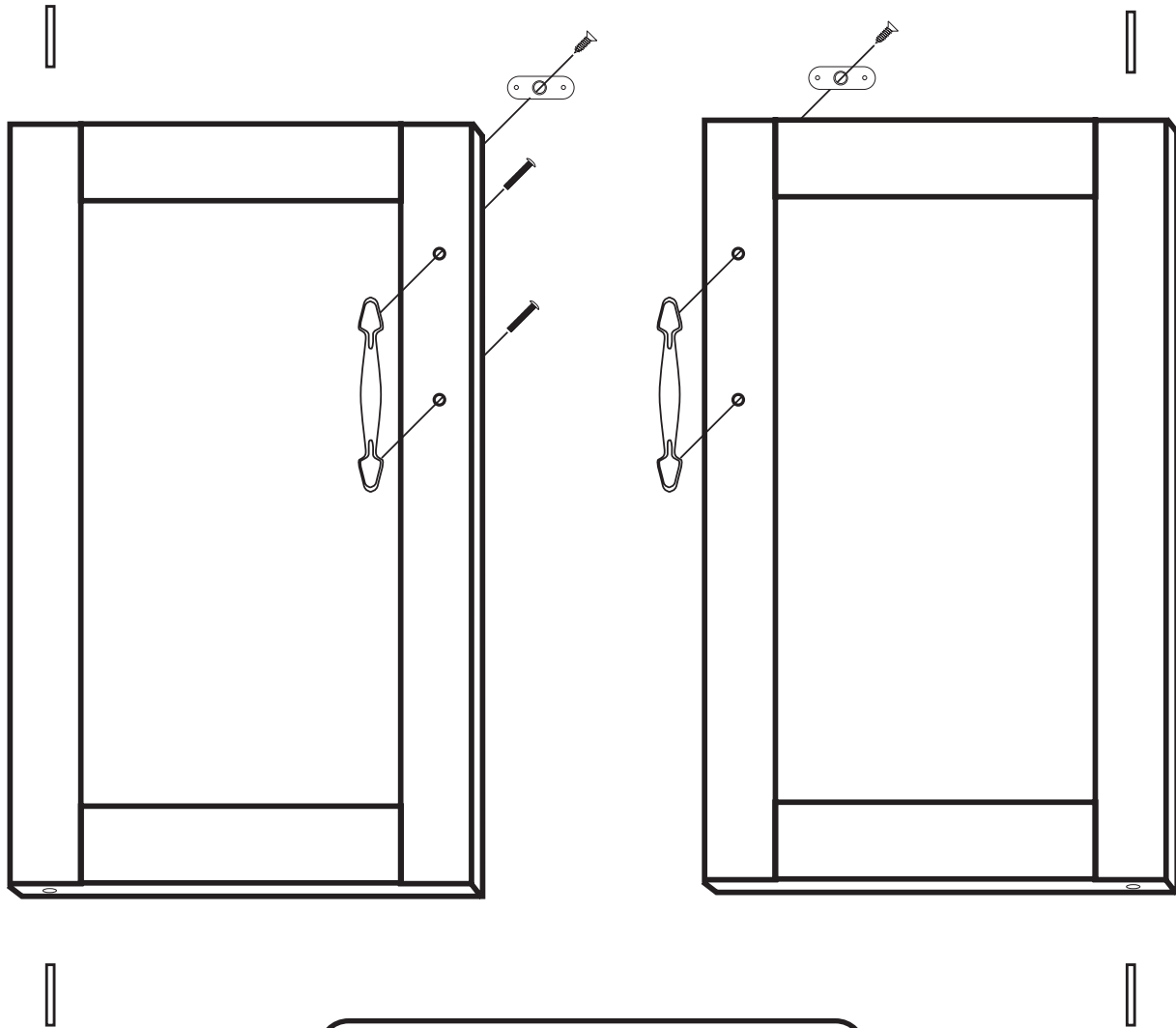
A. Take the top front brace (with magnet block), insert the pins in the brace ends into the slots of the inside of the front legs and slide down until the holes in the brace ends align with the holes in the front legs as in illustration 6. The pin holes for the door pins will be up as will the magnet block.


B. Secure brace with 1 3/4" bolts and hex nuts.



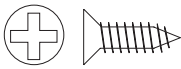
STEP 7

- A. Tap/insert ONE 1 1/2" pin into each end of both doors. DON'T OVERDRIVE PINS! Pins should stick up about 1/2" when seated.
- B. Attach the magnet plates (may be stuck to magnet!) with the 1/2" #4 screw to the top of both doors. Bumps go toward the wood.
- C. Attach door handles with 7/8" truss head machine screws.



 4 used in this step
1 1/2" Long 3/16" DIA. Steel Pin

 4 used in this step
7/8" Truss Head Machine Screw

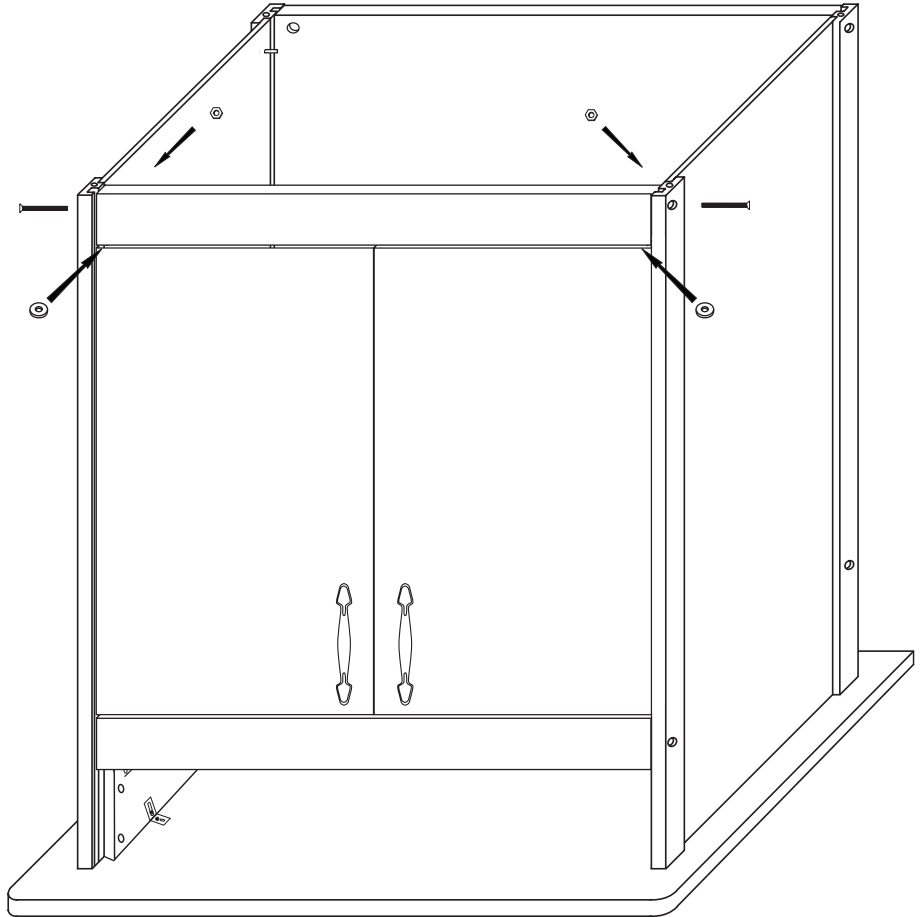
 2 used in this step
1/2" Phillips Flat Head #4 Screw

STEP 8

A. Install doors by inserting pins in the door tops into the holes in the long edge top front brace.

B. Place one washer on each of the door pins in the door bottoms.

C. Take the bottom front brace, align pins in door bottoms with holes along top long edge of brace (are washers on pins?) and secure brace with 1 3/4" bolts/hex nuts as before.



2 Used
in this step

10-24 Hex Nut



2 Used
in this step

3/16" Flat Washer



1 3/4" Phillips Flat Head Bolt

2 Used in this step

STEP 9

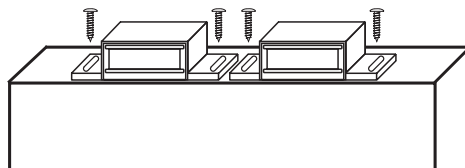
A. Stick magnet to magnet plate on right door.

B. With left door open, close the right door. The magnet should be positioned over the wooden block on the bottom of the top front brace. Hold the magnet in place with your thumb, and open the right door. The magnet will be in the correct position on the block.

C. Secure magnet with the two pan head screws in the magnet packet. Center screws in the slots in the magnet. This will allow adjustment later, if needed.

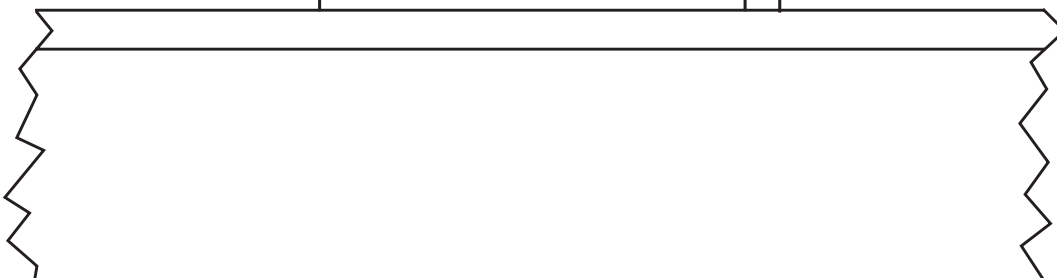
D. Repeat with other magnet.

NOTE: No pilot holes in block as softwood!



4 Used
in this step

5/8" Pan Head Screw



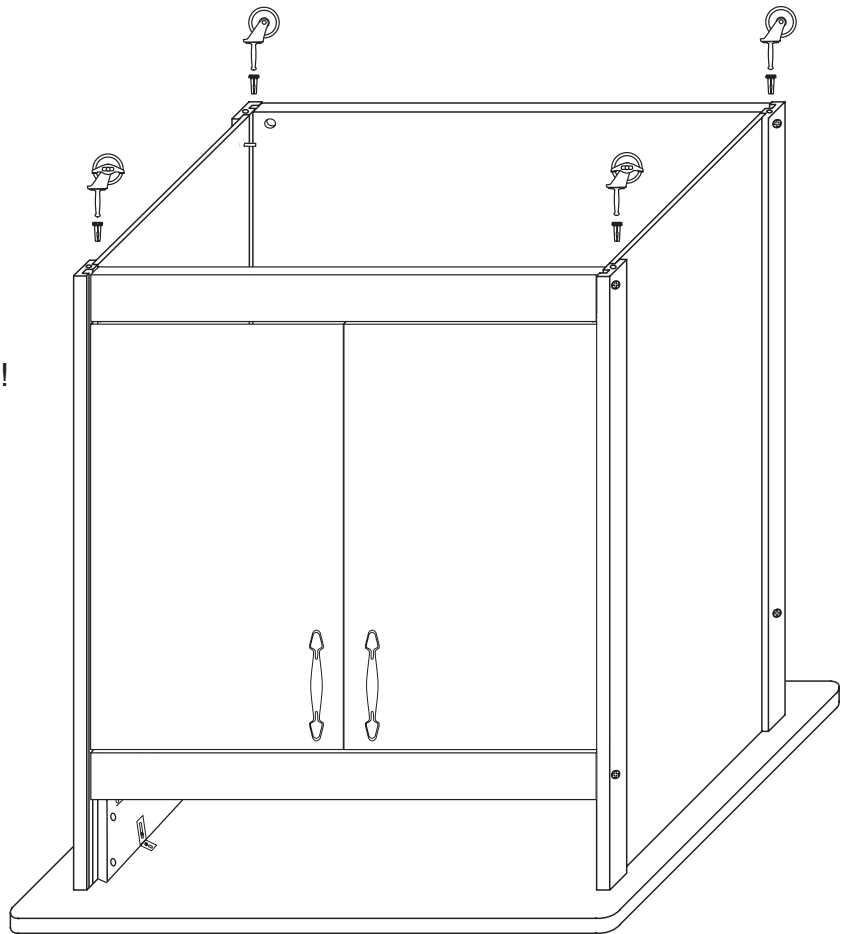
Magnet (2)

STEP 10

A. Insert and tap caster sockets with hammer until the teeth grab the wood. **DON'T POUND SOCKET FLAT OR CASTER SHAFT WILL NOT ENTER.**

B. Insert casters and seat by pushing straight downward with heel or your hand, or tap into place with a hammer. Don't be afraid to give them a good downward whack on the solid metal part of the caster!

C. Locking wheels usually go on back, but can go diagonally or on the front if cart is moved a lot.



STEP 11

A. Upright unit. Take bottom shelf (no edge banding) and place it on the set of back pins. Close doors and shelf will drop into place.

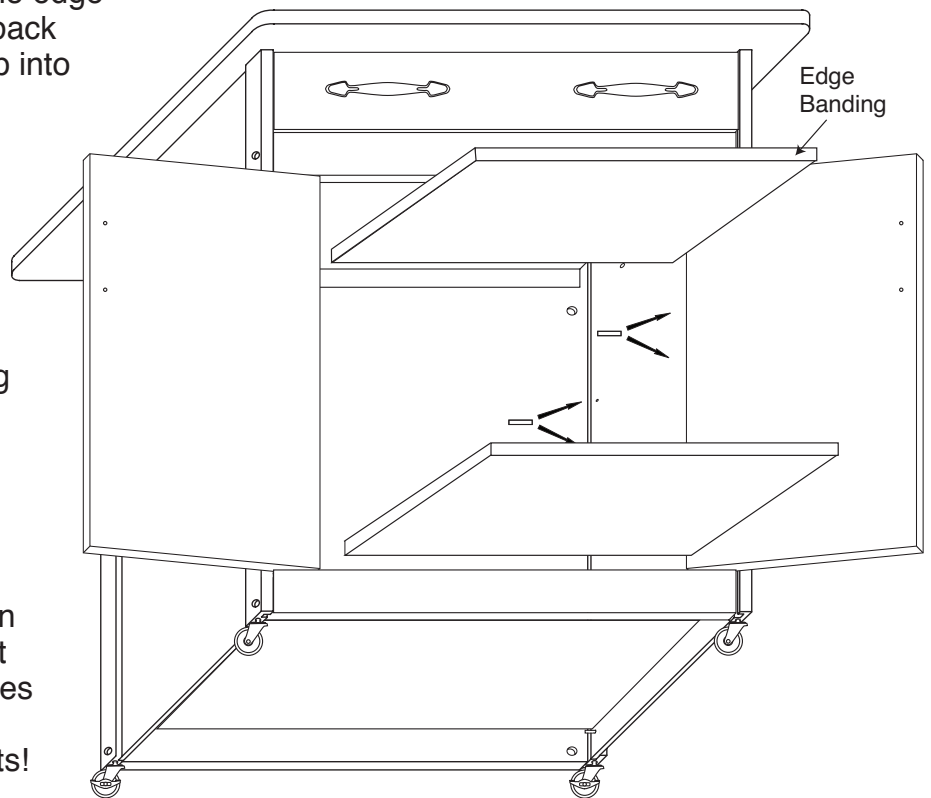
B. Decide on position of middle shelf, then tap two 1" pins into each side panel, making sure the pins on both sides are in the same relative position. To remove a pin, use pliers or claw hammer.

C. Place middle shelf, edge banding out, on pins.

D. Insert drawer.

Note: If the top edge of the drawer front hits the underside of the cart top or the top edge of the top front brace, loosen the machine screws in the top front brace a little and adjust brace down until drawer opens/closes freely - check to make sure doors open/close freely. Re-tighten all bolts!

E. Tap wooden disks into sides.





For continued beauty and long life of your Catskill Craftsmen cart, we recommend Catskill Craftsmen's Butcher Block Oil.

Our Butcher Block Oil is available directly from Catskill Craftsmen's factory. For one eight ounce (8 fl. oz.) bottle, which is sufficient for two applications, simply send \$6.95 along with the completed coupon to the address below. Visit us online at www.catskillcraftsmen.com to browse our assortment of butcher block care products. Visa and Mastercard are accepted online.



Catskill Craftsmen, Inc.
15 West End Ave.
Stamford, NY 12167-1296



BUTCHER BLOCK OIL COUPON

Please send me _____ # of bottle(s) of the Catskill Craftsmen Butcher Block Oil at \$6.95 per bottle. My check or money order is enclosed for a total of \$_____.

Item code: 53017

Name _____

Address _____

City _____

State _____ Zip _____

Please make checks payable to Catskill Craftsmen Inc. 15 West End Ave., Stamford, NY 12167-1296