



Assembly Instructions
Model 51570

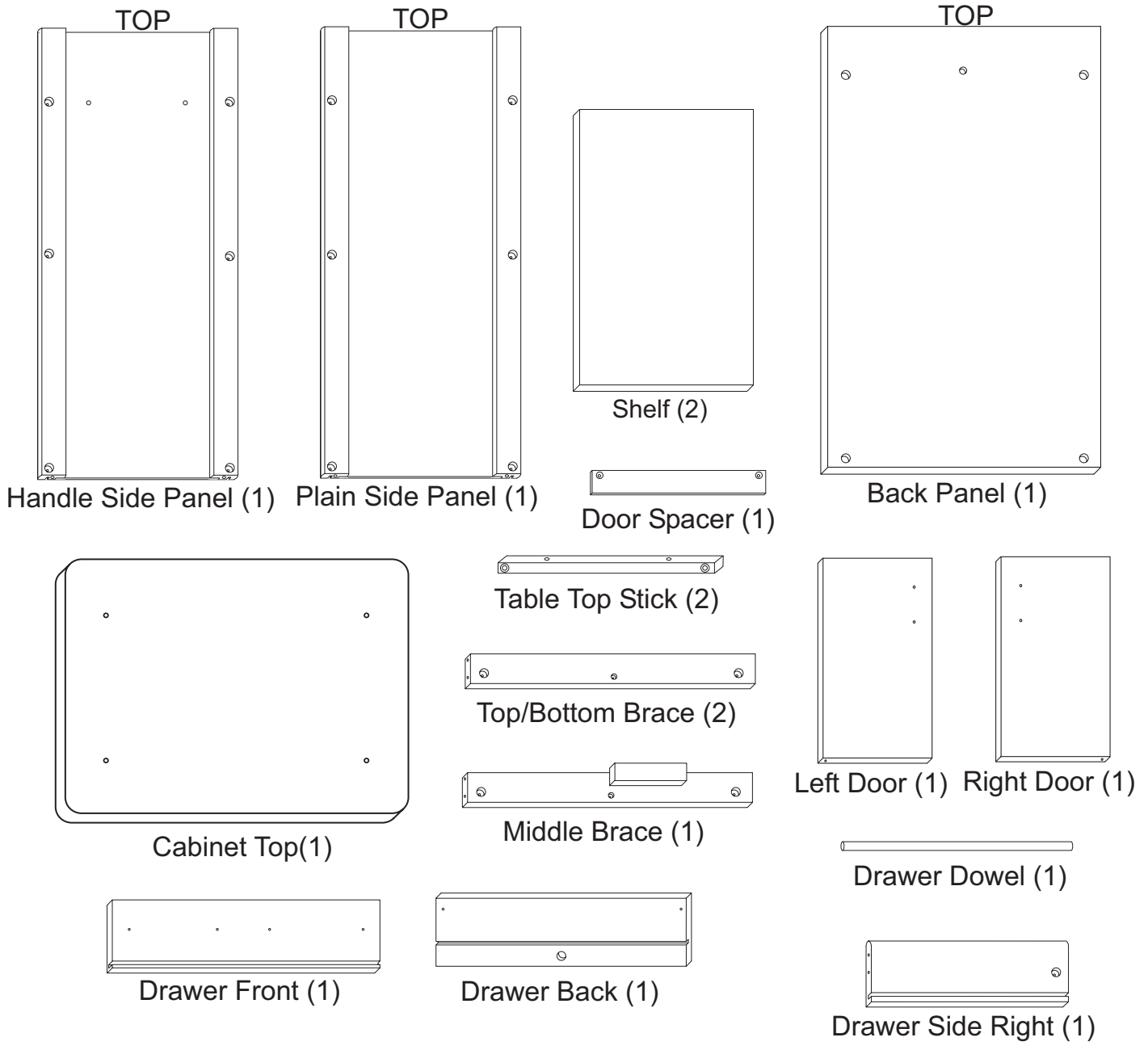
Hutch Top Cart with Open Storage



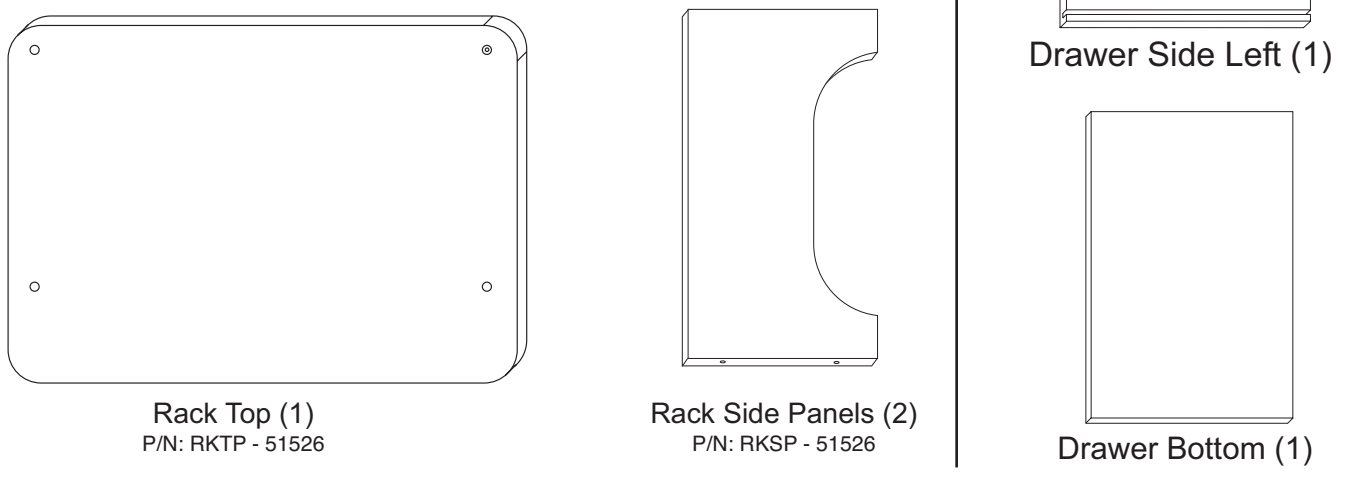
GENERAL:

1. You have purchased model 51570.
2. Should you need assistance or need to replace a damaged or missing part, simply give us a call M-F at 607-652-7321 from 7:30 am - 4:30 pm EST and we'll send you the prepaid part via UPS usually that same day! You may also email us info@catskillcraftsmen.com.
3. Read the assembly instructions and the enclosed brochure before beginning assembly. Assembly is easy if you read and follow the instructions step by step. See our website www.catskillcraftsmen.com, for assembly tips and videos.
4. Tools required: Phillips screwdrivers - medium and small, medium flat blade screwdriver, and a hammer.
5. Directions are given as if you are facing the front of an assembled cart.


CABINET PARTS - MODEL 51570





RACK PARTS





CABINET HARDWARE


 (Cabinet Assembly)
 1 3/4" Phillips Flat Head Machine Screw (10)

 (Drawer Back, Table Top Sticks)
 1 1/4" Phillips Flat Head #8 Screw (20)


 (Towel Bar)
 1" Phillips Flat Head #8 Screw (2)


 (Door Spacer)
 5/8" Phillips Flat Head #8 Screw (2)

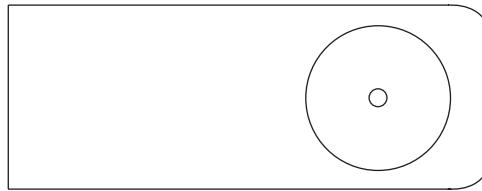
 (Drawer Handle)
 1/2" Truss Head Machine Screw (2)

 (Knobs)
 1 1/4" Truss Head Machine Screw (2)

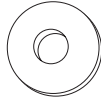
 (Doors)
 1 1/2" Long 3/16" DIA. Steel Pin (4)

 (Shelf Support)
 1" Long 3/16" DIA. Steel Pin (8)

 (Ends of Braces)
 3/4" Long 3/16" DIA. Steel Pin (6)



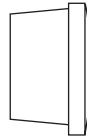
Towel Bar Post (2)



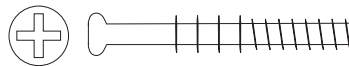
3/16" Flat Washer (4)



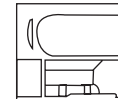
10-24 Hex Nut (10)



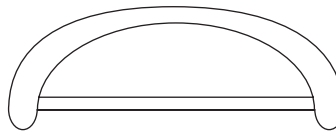
5/8" Wooden Disk (12)



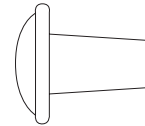
Cam Posts (2)



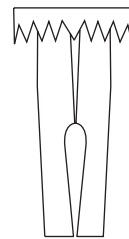
Cam (2)



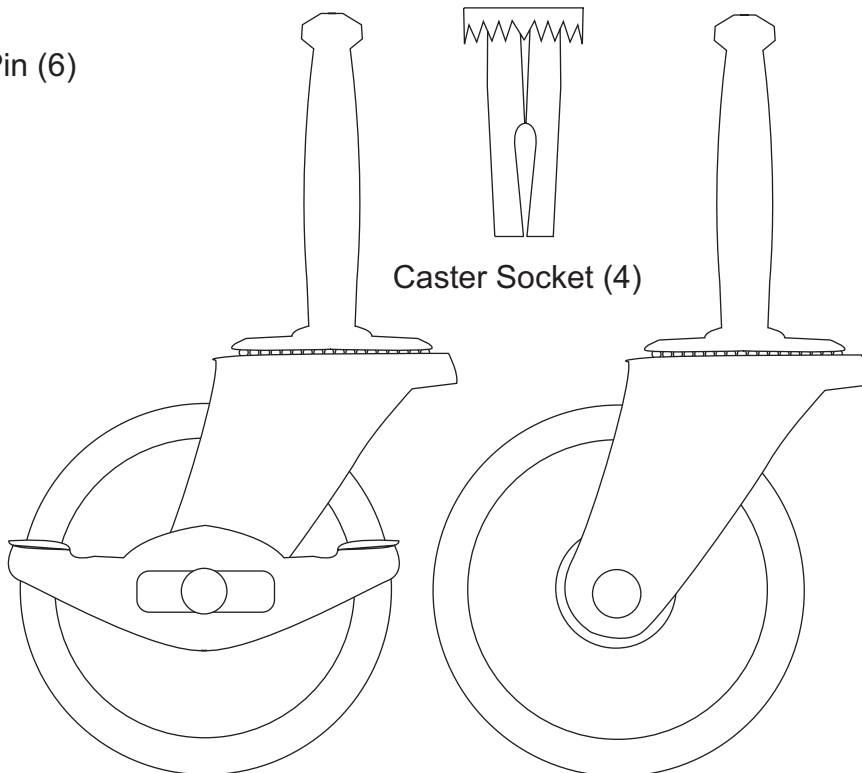
Cup Handle (1)



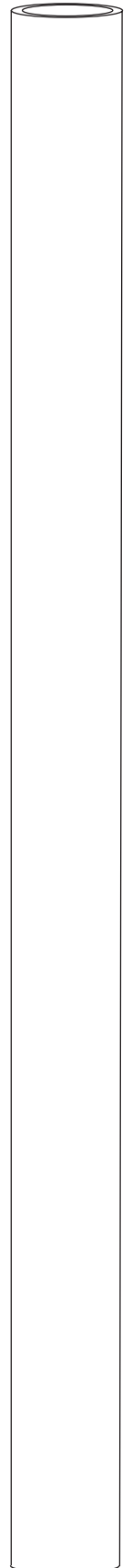
Door Knob (2)



Caster Socket (4)



Locking Wheel Caster (2) Non Locking Wheel Caster (2)



Polished Nickel Towel Bar (1)

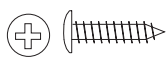
MAGNET PACK



Magnet (1)



Magnet Plate (1)



5/8" Pan Head Screw (2)



1/2" Phillips Flat Head #4 Screw (1)

STEP 1

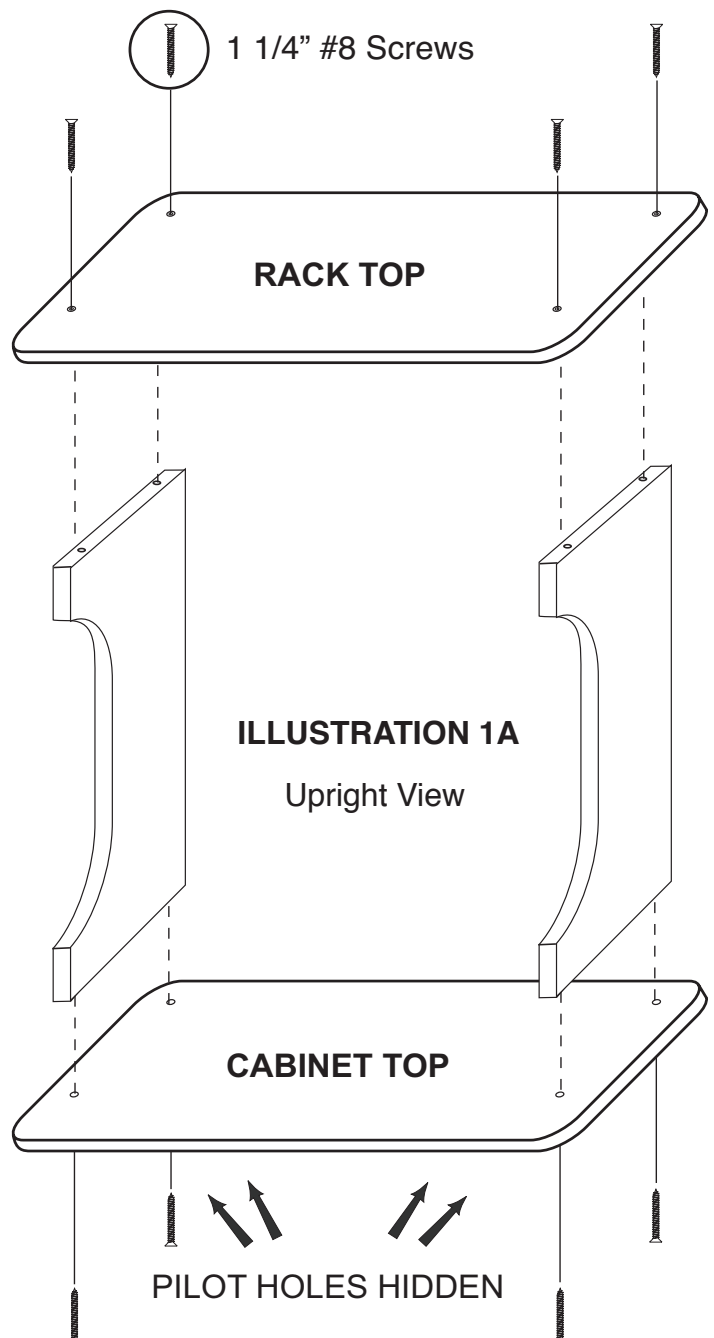
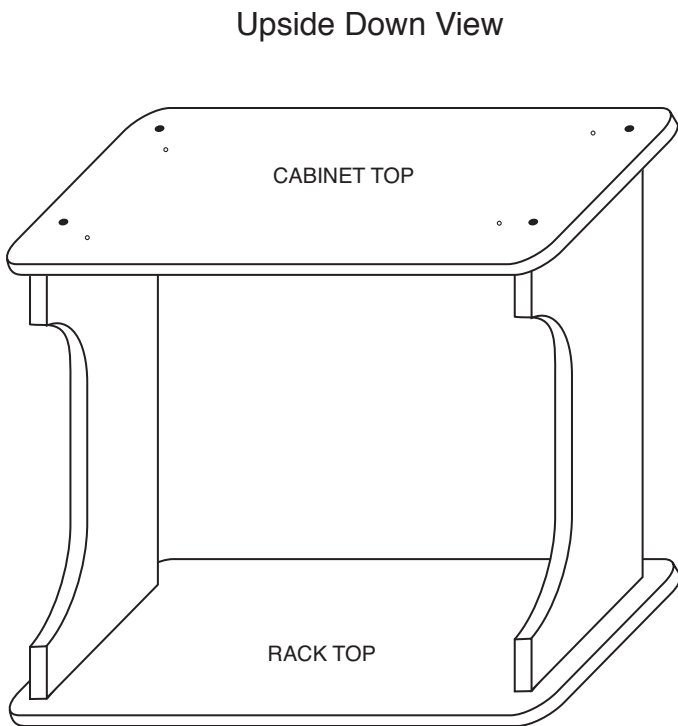
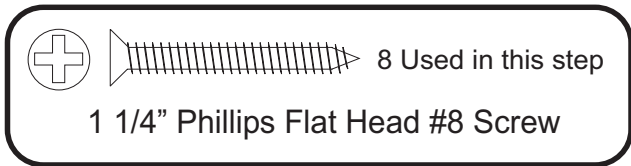
1. Attach the Rack Top to the top ends of the Side Panels (universal: same left/right & top/bottom) using 1 1/4" #8 bronze wood screws. **MAKE SURE YOU HAVE THE RACK TOP!** The only difference between the Rack Top and the Cabinet Top is that the Cabinet Top has 4 small pilot holes on the bottom side plus the 4 through holes; whereas, the Rack Top only has the 4 through holes.

NOTE: On the Rack Top the countersunk (reamed out) through holes face up and the countersunk holes/pilot holes on the Cabinet Top face down. The countersunk holes allow the screw heads to be flush with the wood surface when tightened down.

2. Turn this assembly upside down so that the Rack Top is on a smooth flat surface. Attach the Cabinet Top with four 1 1/4" #8 wood screws. With the unit upside down at this point, the 4 pilot holes should be up. See illustration 1B.

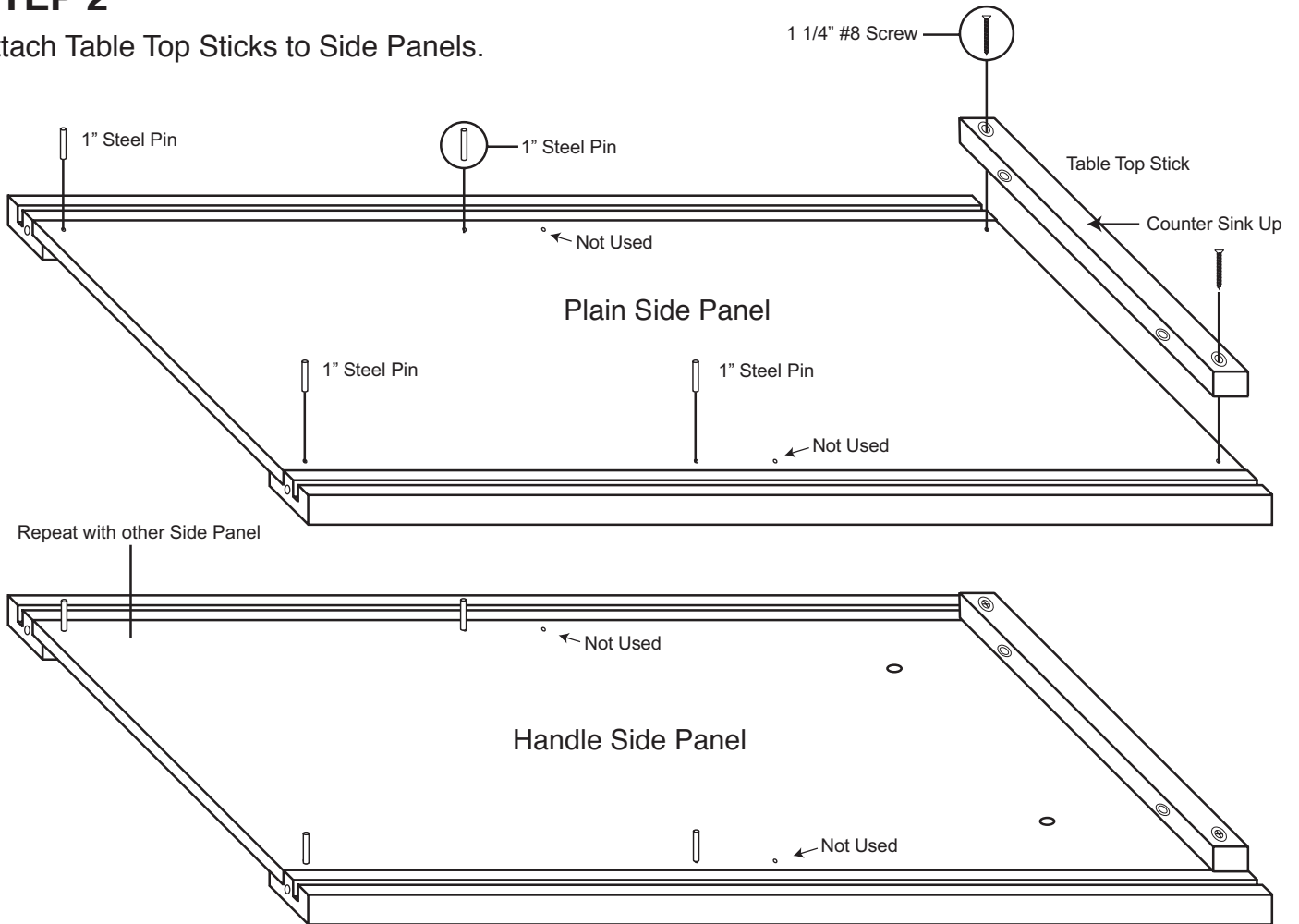
3. Leave this assembly UPSIDE DOWN and go to STEP 2.

NOTE: The cart cabinet will be constructed upside down using the bottom of the Cart Top as the base.



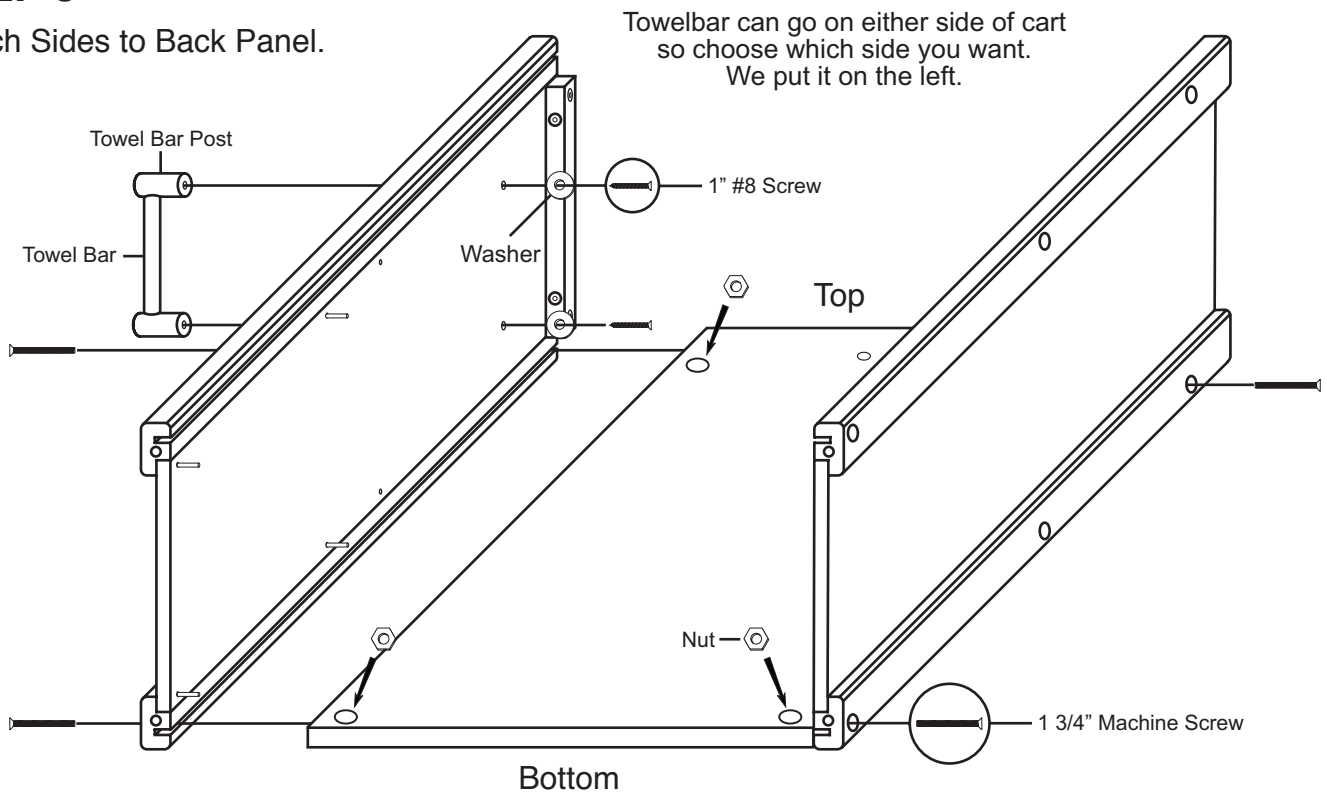
STEP 2

Attach Table Top Sticks to Side Panels.



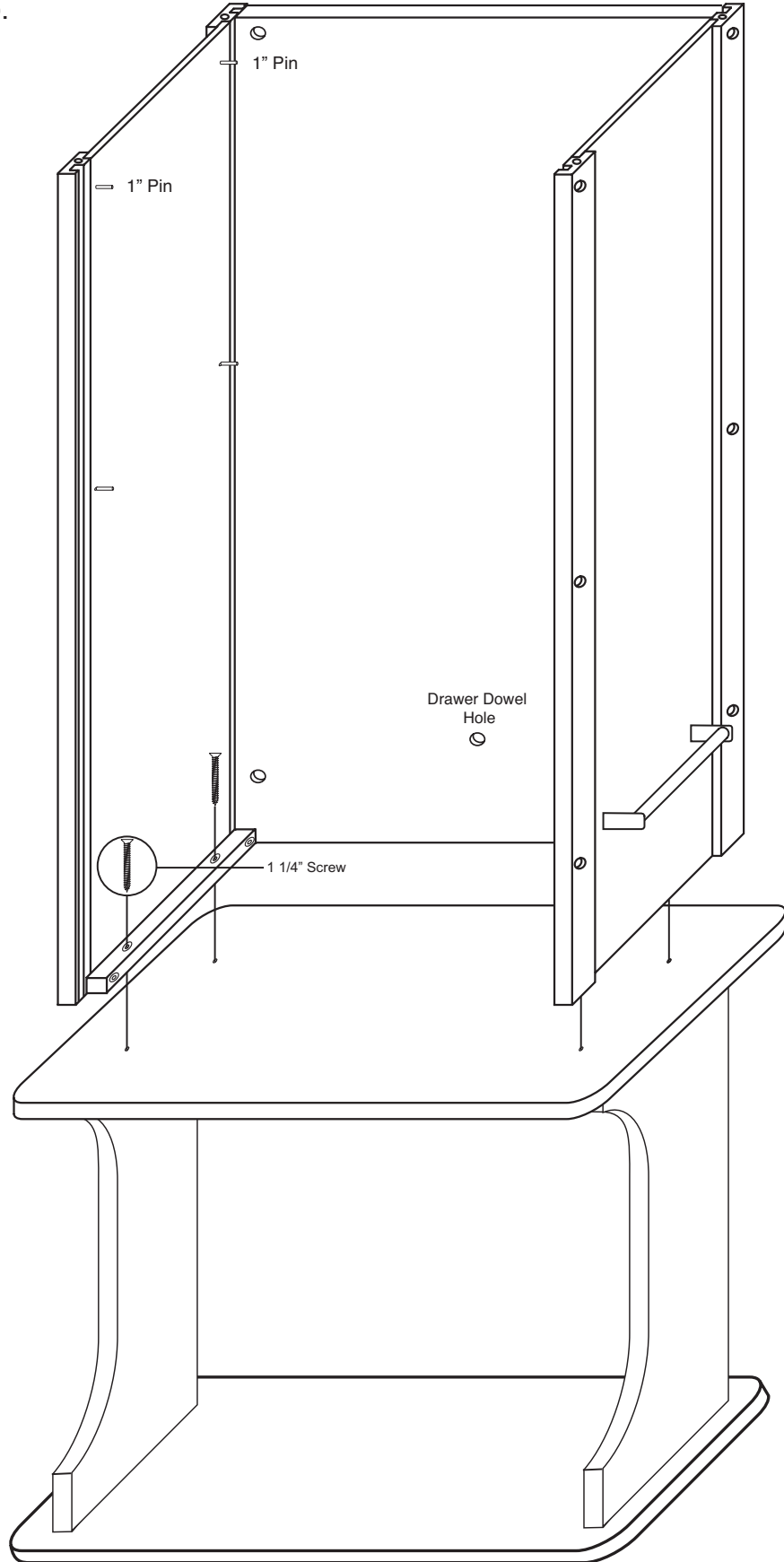
STEP 3

Attach Sides to Back Panel.



STEP 4

Attach Side/Back Assembly to Bottom of the Cabinet Top.



STEP 5

A. Attach the drawer back to the drawer sides with four 1 1/4" #8 screws. Make sure parts are aligned as in illustration 4A.

B. Insert drawer bottom into the slots in the drawer sides, best side to inside of drawer. Slide down until seated in the slot in the drawer back. See illustration 4B.

C. Screw the cam posts into the two outside holes on the inside face of the drawer front until seated. Only 3/8" of this post goes into the wood, leaving the 4 larger guide rings/head exposed. See illustration 4C.

D. Insert the posts into holes in the drawer sides until seated against the front end of the drawer sides. Insert cams so that slot in the cam fits over the post and turn with Phillips screwdriver until seated. Don't over-torque! See illustration 4D.

E. Attach drawer handle with the two handle screws (no illustration).

Note: The arrow on the end of the Cam points to the Post. The curved arrow shows tightening direction.

1 1/4" #8 Screws

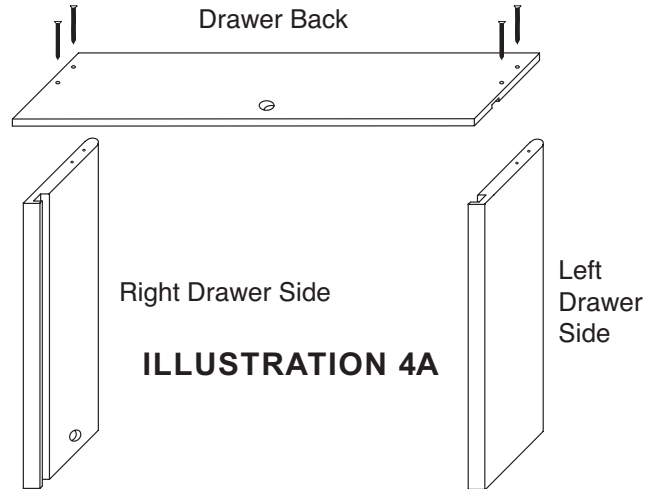


ILLUSTRATION 4A

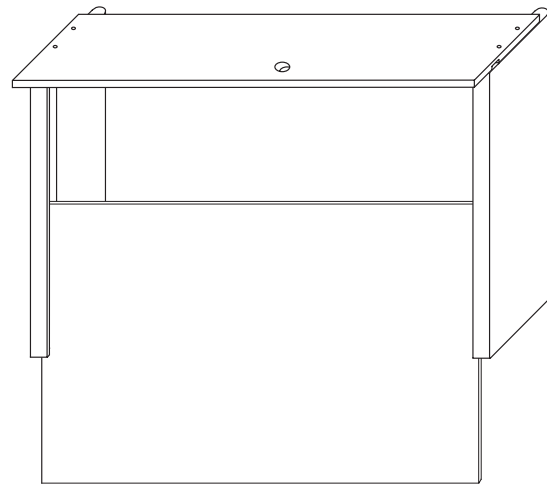


ILLUSTRATION 4B

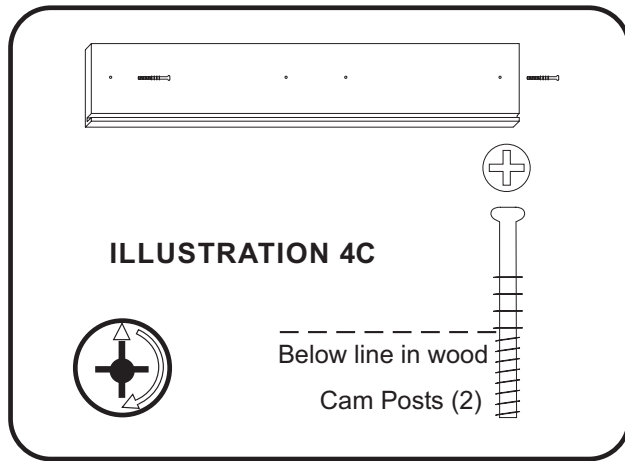


ILLUSTRATION 4C

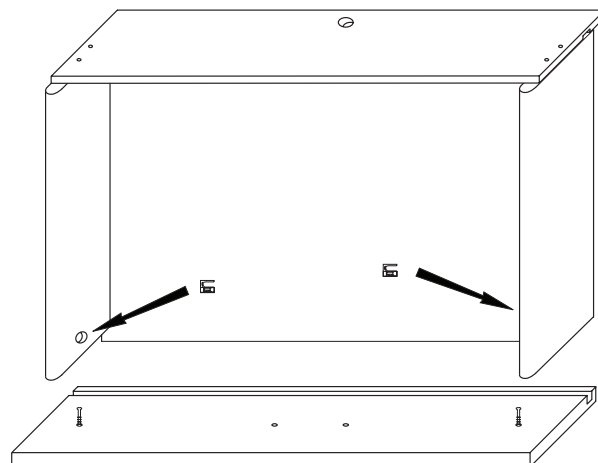
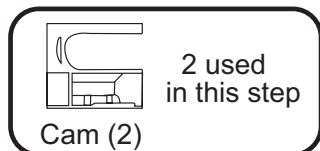
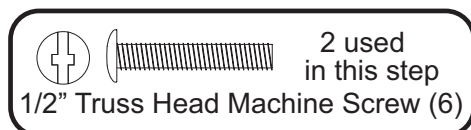
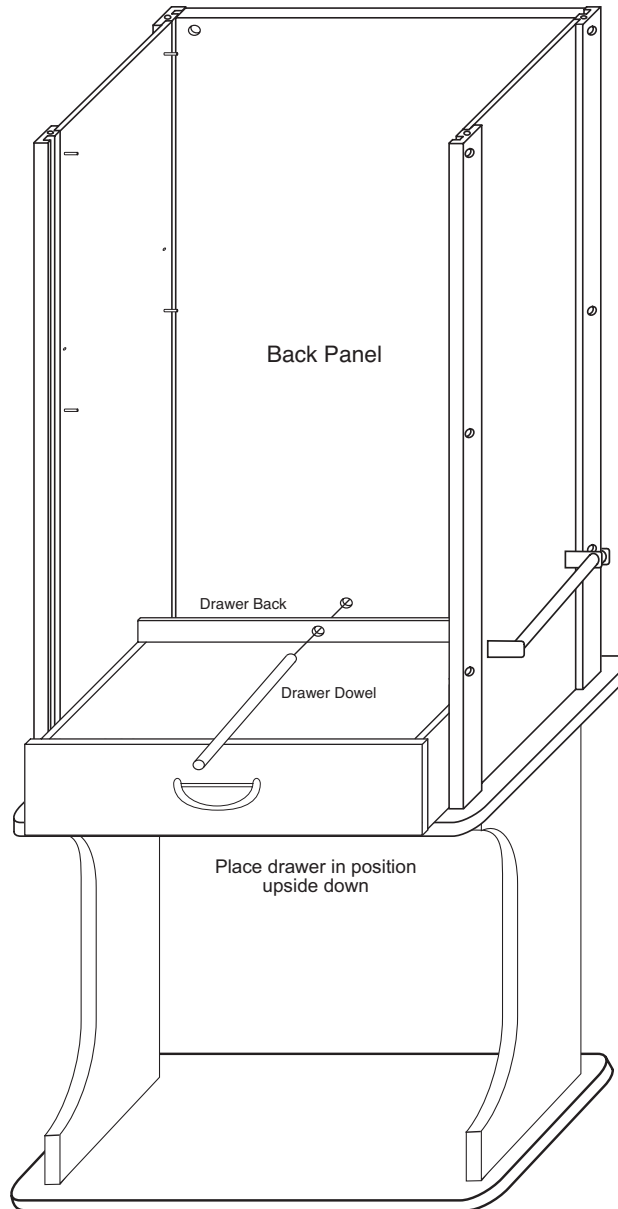


ILLUSTRATION 4D

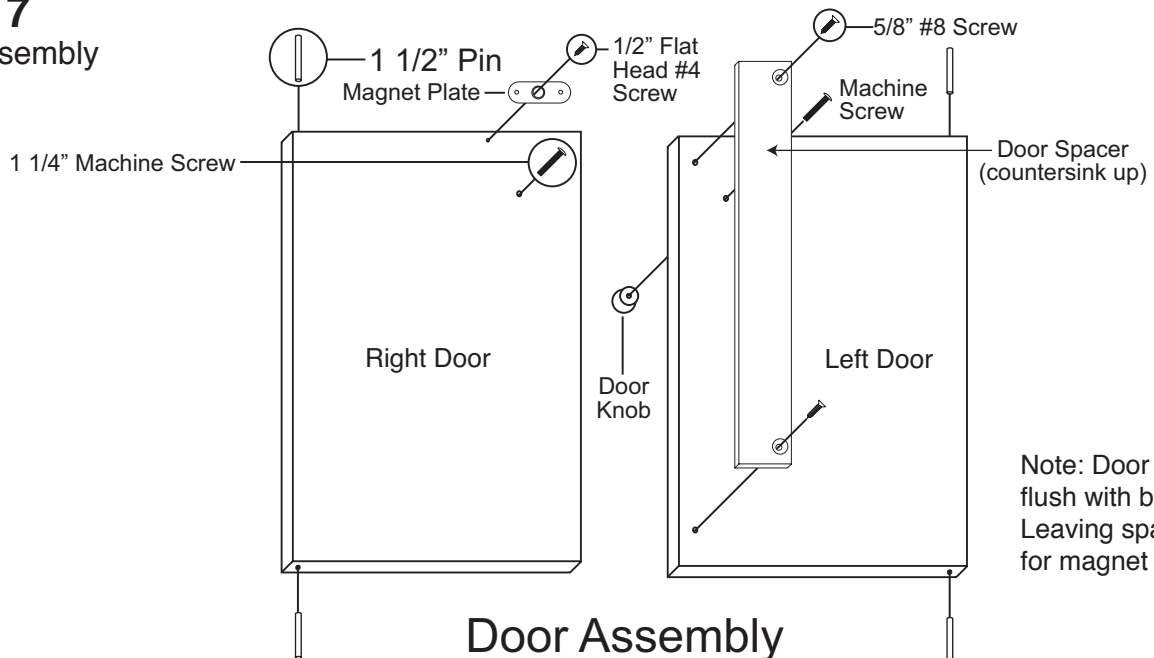
STEP 6

Insert Drawer Dowel through Drawer Back into hole in Back Panel.



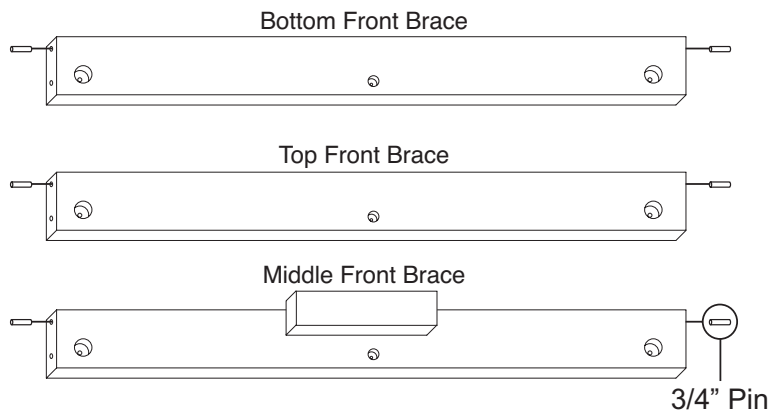
STEP 7

Door Assembly



STEP 8

Brace Preparation



Note: O.K. if pins are loose!

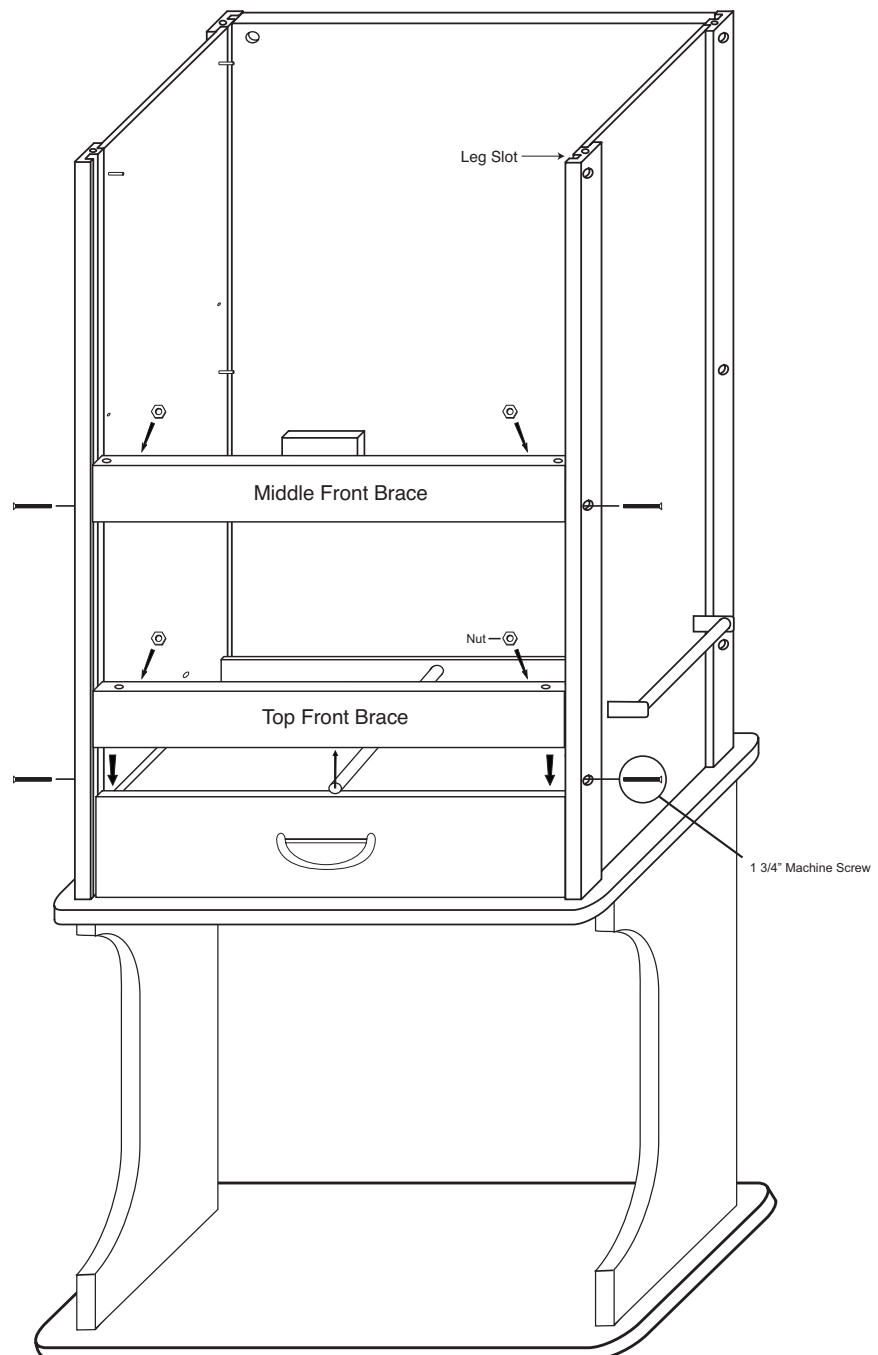
Install 3/4" pins in brace ends

STEP 9

Install Top & Middle Front Braces

A. Insert end of drawer dowel into hole on inside of Top Front Brace.

B. Insert the pins in the ends of the brace into the leg slots and slide Braces into position. Secure with 1 3/4" Machine Screws and Nuts.

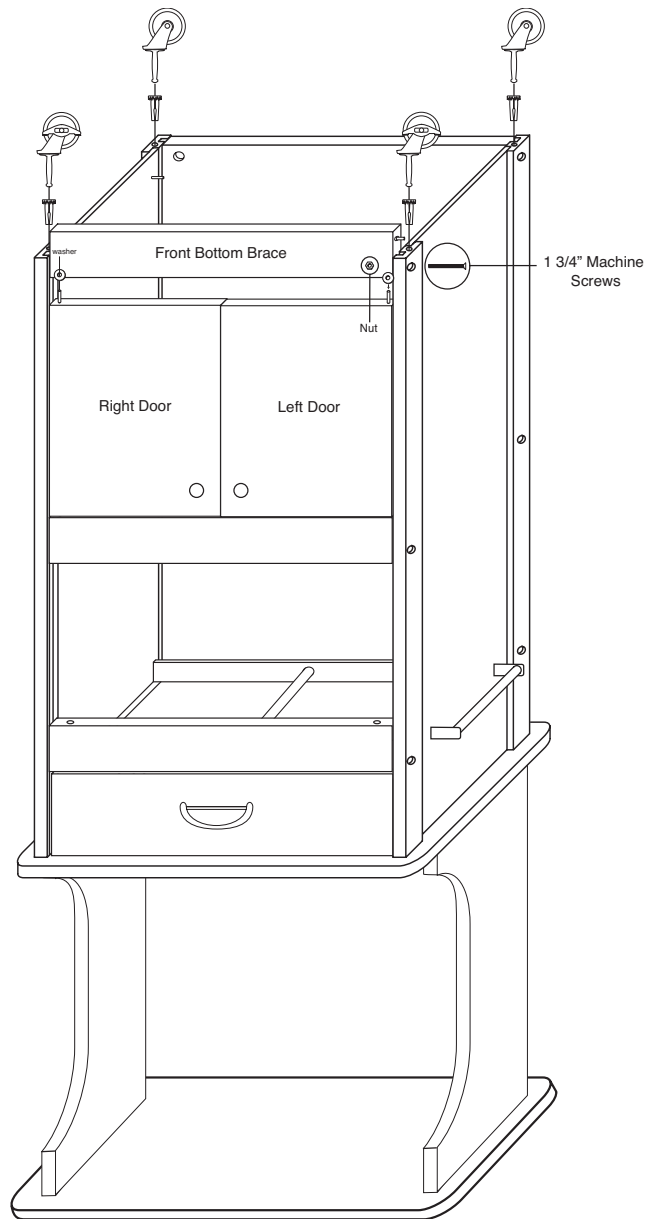


STEP 10

Install Doors/Front Bottom Brace/
Wheels

A. Place a Washer on bottom pins of doors. Seat bottom front brace on pins and secure brace with 1 3/4 in. Machine Screws/Nuts.

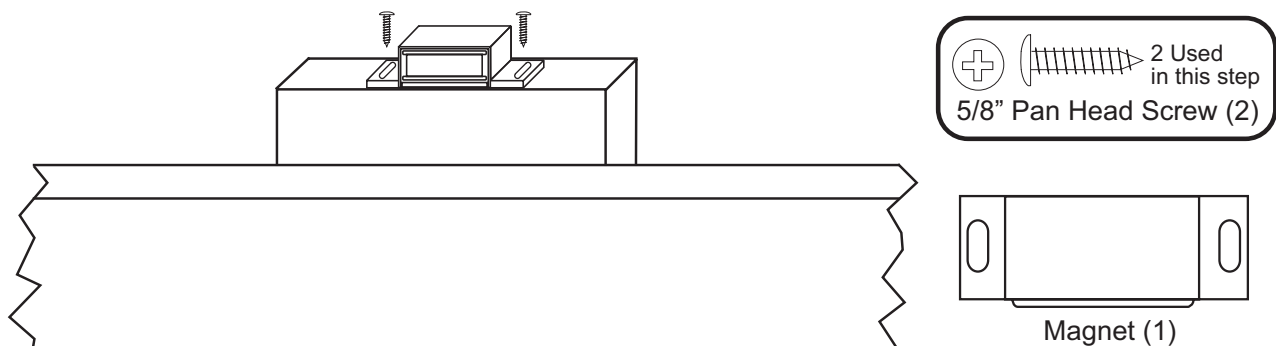
B. Tap in Castor Sleeves until teeth bite wood. DO NOT POUND FLAT. Locking wheels go in the front.



STEP 11

Install Door Magnet

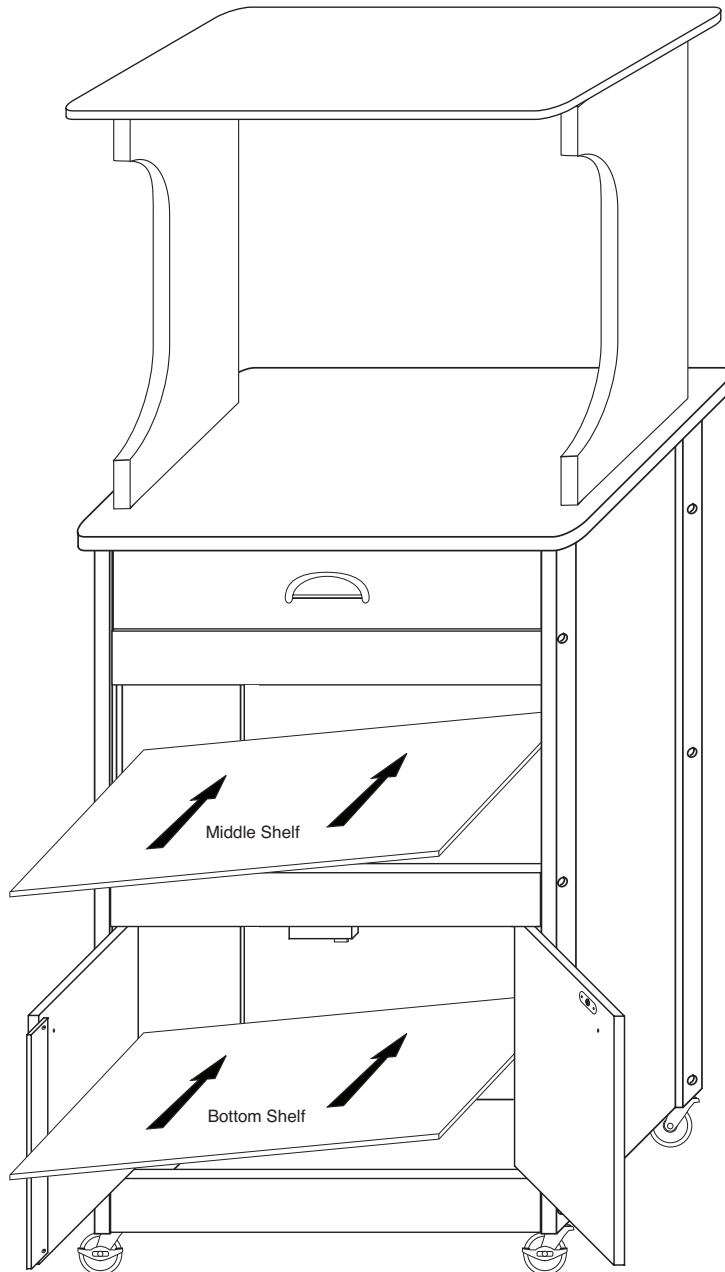
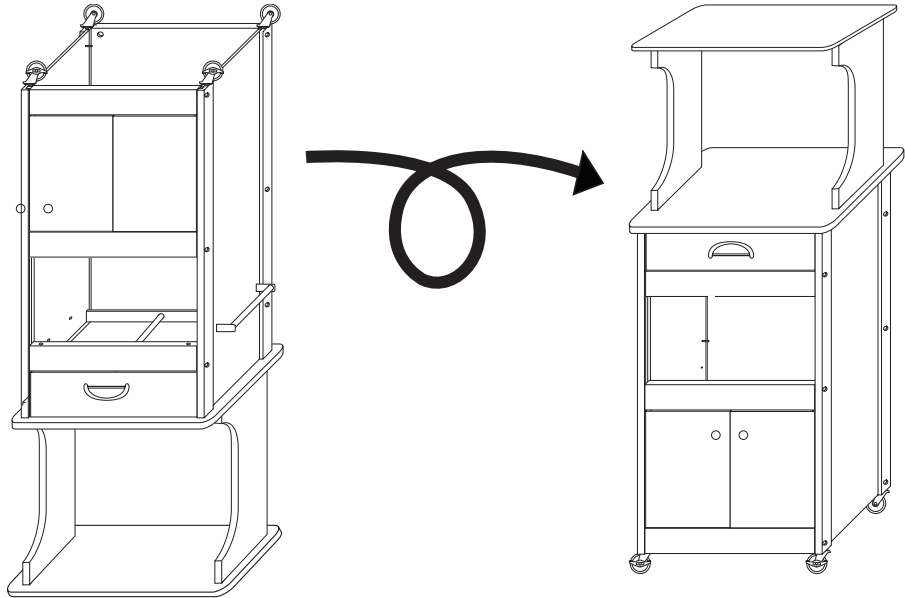
A. With unit still inverted, open both doors. Stick magnet on magnet plate on Left Door. Close door and magnet should be positioned over pine block on Middle Front Brace. Hold magnet in place on block with thumb pressure and open door - magnet will be in proper position. Secure magnet to block with round head magnet screws.



STEP 12

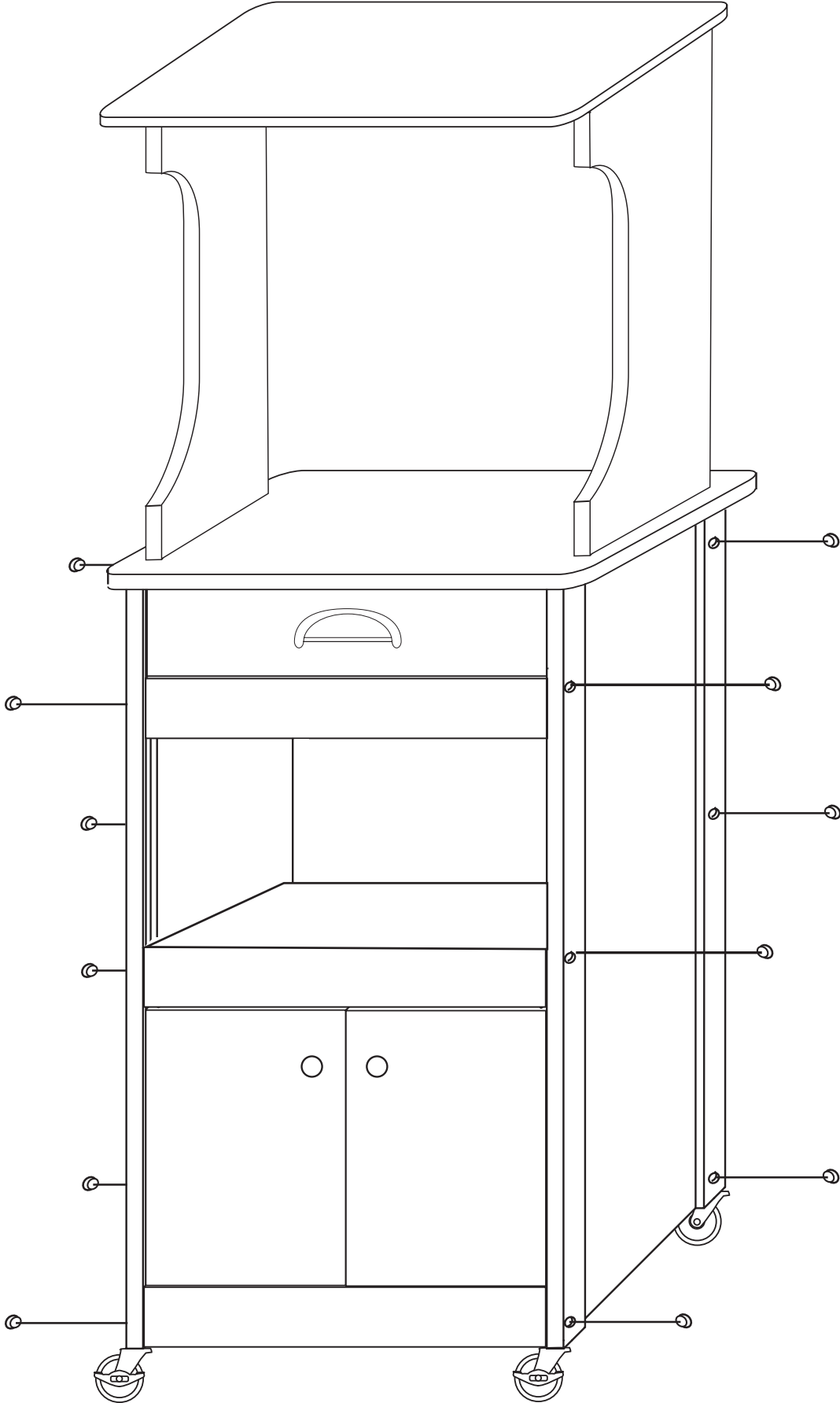
Insert Shelves

A. Place Bottom Shelf on back pins and close door, shelf will drop into place. Place middle shelf on pins.



STEP 13

Attach Magnet / Wood Plugs





For continued beauty and long life of your Catskill Craftsmen cart, we recommend Catskill Craftsmen's Butcher Block Oil.

Our Butcher Block Oil is available directly from Catskill Craftsmen's factory. For one eight ounce (8 fl. oz.) bottle, which is sufficient for two applications, simply send \$6.95 along with the completed coupon to the address below. Visit us online at www.catskillcraftsmen.com to browse our assortment of butcher block care products. Visa and Mastercard are accepted online .



Catskill Craftsmen, Inc.
15 West End Ave.
Stamford, NY 12167-1296



BUTCHER BLOCK OIL COUPON

Please send me _____ # of bottle(s) of the Catskill Craftsmen Butcher Block Oil at \$6.95 per bottle. My check or money order is enclosed for a total of \$_____.

Item code: 51570

Name _____

Address _____

City _____

State _____ Zip _____

Please make checks payable to Catskill Craftsmen Inc. 15 West End Ave., Stamford, NY 12167-1296