

CATSKILL

C R A F T S M E N , I N C .

Assembly Instructions Model 1521

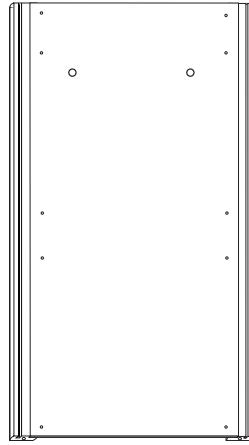
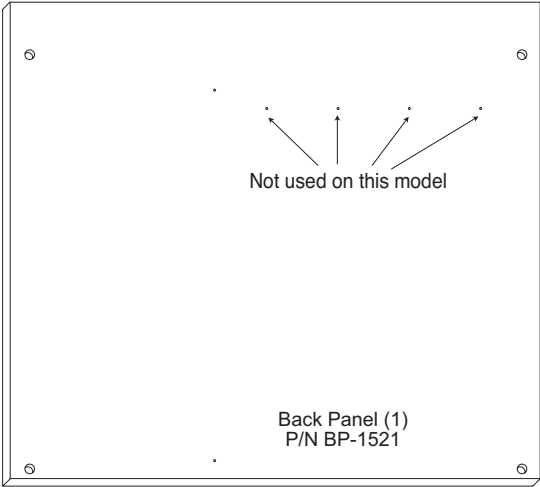
Mid-Sized Drawer Island



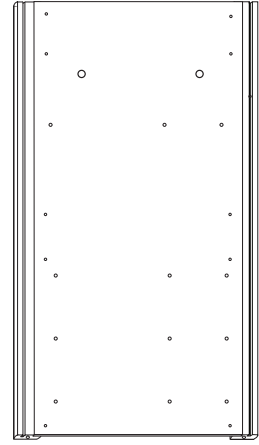
GENERAL:

1. You have purchased model 1521
2. Should you need assistance or need to replace a damaged or missing part simply give us a call M-F at 607-652-7321 from 7:30 am - 4:30 pm EST and we'll send you the prepaid part via UPS usually that same day! You may also email us info@catskillcraftsmen.com.
3. Read the assembly instructions and the enclosed brochure before beginning assembly. Assembly is easy if you read and follow the instructions step by step. See our website for assembly tips and videos: www.catskillcraftsmen.com
4. The only tools needed are a hammer and a phillips head screwdriver. A power screwdriver is recommended. but not required.
5. Glides are sometimes pre-packed with screws. These are not used.
6. Instructions (left/right, top/bottom) are given as you face an assembled unit.

Parts List Model 1521



Left Side Panel (1)
P/N LFT/SP/HDL-1521



Right Side Panel (1)
P/N RGHT/SP/HDL-1521



Top & Bottom Front Braces (2)
P/N B34 1/4 / 2 1/2 /BOT-1521



Top Right Drawer Side (1)
P/N Top DS-1521/R



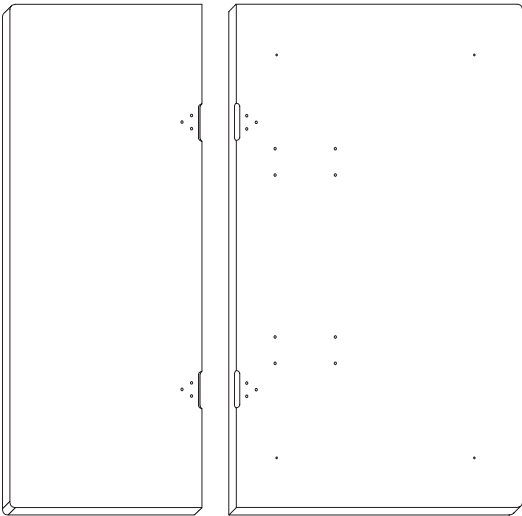
Top Drawer Front (1)
P/N DF-1521



Top Left Drawer Side (1)
P/N Top DS-1521/L

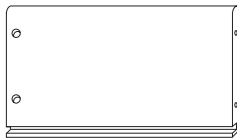


Top Drawer Back (1)
P/N DBK-1521



Drop Leaf (1)
P/N DL-1521

Table Top (1)
P/N TT-1521



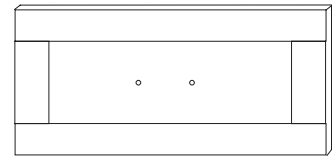
Lower Left Drawer Side (2)
P/N Low DS-1521/L



Top Drawer Bottom (1)
P/N TDB-1521



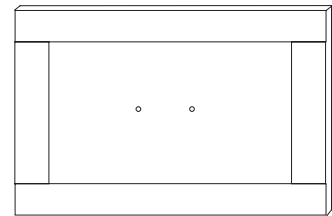
Lower Right Drawer Side (2)
P/N Low DS-1521/R



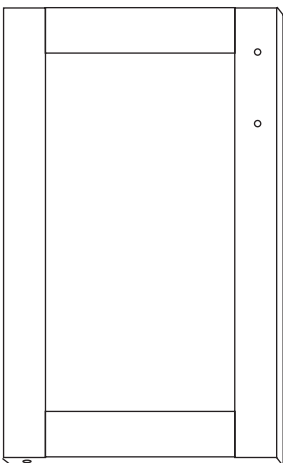
Middle Drawer Front (1)
P/N Mid DF-1521



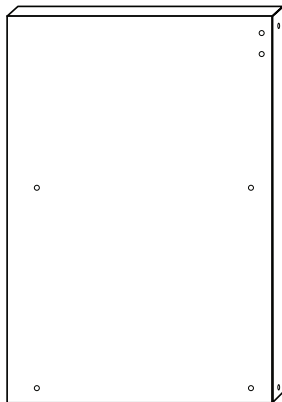
Lower Drawer Back (2)
P/N Low DBK-1521



Bottom Drawer Front (1)
P/N Bot DF-1521



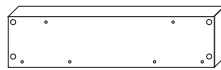
Door (1)
P/N Dr-1521



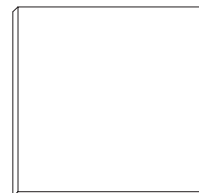
Center Divider (1)
P/N DIV-1521
Left Side View



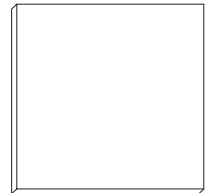
Lower Drawer Bottom (2)
P/N LBS-1521



Glide Support (2)
P/N GLDSUP-1521




Bottom Shelf (1)
P/N BS-1521



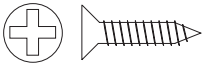
Middle Shelf (1)
P/N MS-1521

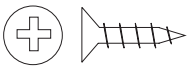
Hardware List Model 1521

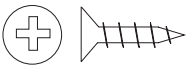
To ease assembly, sort and count the hardware before getting started.


 (Cabinet Assembly)
1 3/4" Phillips Flat Head Bolt (8)

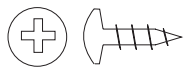
 (Drawer Backs
Table Top Sticks)
1 1/4" Phillips Flat Head #8 Screw (20)


 (Attaches Hinges
Drop Leaf Supports)
5/8" Phillips Flat Head #8 Screw (20)

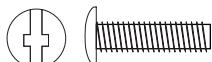
 (Top Drawer Glides That
Attach to Table Top Sticks)
5/8" Phillips Flat Head #7 Screw (4)
Bundled and labeled separately.

 (Used to Attach L Brackets / Top
Drawer Glides to the Drawer Sides)
5/8" Phillips Flat Head #6 Screw (12)


 (used to attach spice
rack and towel bar)
1" Phillips Flat Head #8 Screw (4)


 (Full Extension Glide Screws)
3/8" Phillips Pan Head #8 Screw (20)

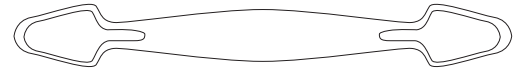
 (Attaches Handles
to Door / Top Drawer)
1" Truss Head Machine Screw (6)

 (Attaches Handles
to Large Drawers)
1/2" Truss Head M4x10 screw (4)

 (Door Pin)
1 1/2" Long 3/16" DIA. Steel Pin (2)

 (Shelf Pin)
1" Long 3/16" DIA. Steel Pin (8)

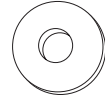
 (Brace Pin)
3/4" Long 3/16" DIA. Steel Pin (8)



Nickel Handle (5)



10-24 Hex Nut (8)



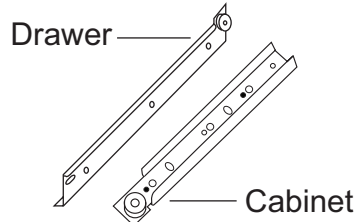
3/16" Flat Washer (13)



5/8 Wooden Disk (8)



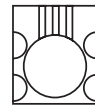
Bastion Post (10)



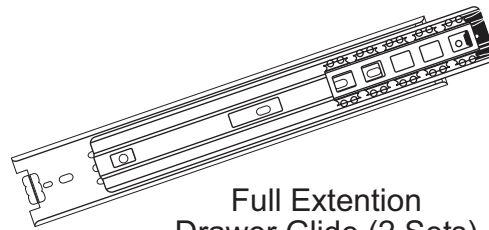
Drawer Glide (1 Set)



Bastion Set Screw (10)



Bastion Barrel Nut (10)



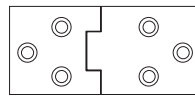
Full Extension
Drawer Glide (2 Sets)



"L" Bracket (4)



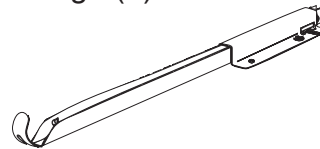
Polished Nickel Towel Bar (2)



Hinge (2)

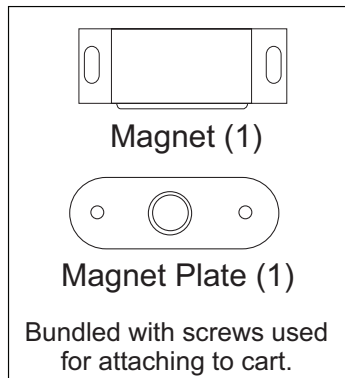


Towel Bar Post (4)



P/N Drop Leaf Support (2)

Caster Socket (4)

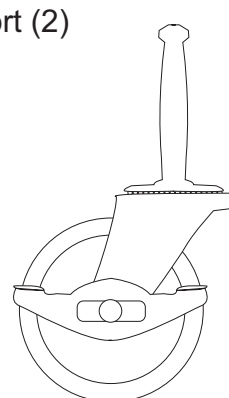


Magnet (1)

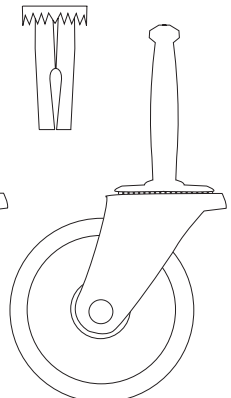


Magnet Plate (1)

Bundled with screws used
for attaching to cart.



Locking Wheel
Casters (2)



Wheel
Casters (2)

STEP 1A -

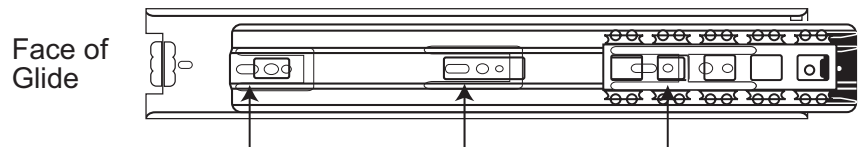
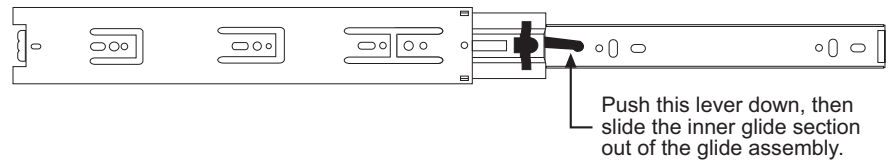
Important - Please Read These Instructions Carefully!

Attach Glides to Side Panels

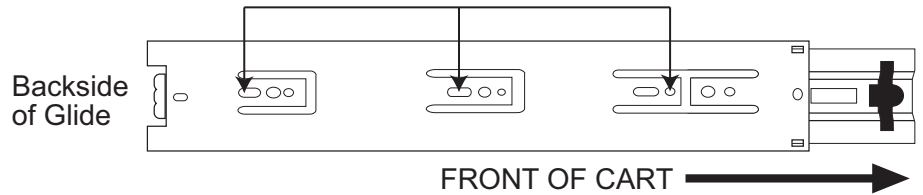
1. Remove the drawer side section of the glide by pushing the black lever down and sliding the steel inner glide section all the way out of the glide assembly. Set this inner section aside as it will be used later on the lower drawer sides.

2. Next, identify the holes to be used for attaching each glide to the side panel. **IMPORTANT** as shown below, the full extension glides are only attached to the right side panel and to the center divider as shown in Step 2.

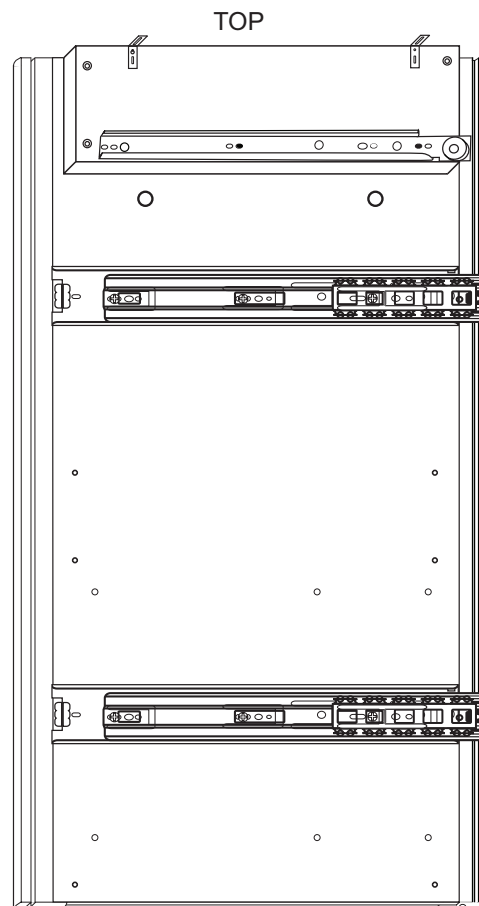
Attach glides using 3/8" #6 pan head screws. In step 10 you will loosen these screws to slide the glides flush with the back panel once it is attached.



Use these three (3) holes to attach the glide to the side panel.

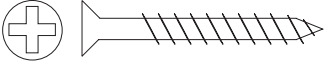


This edge will attach to back panel in the next step.



STEP 1B

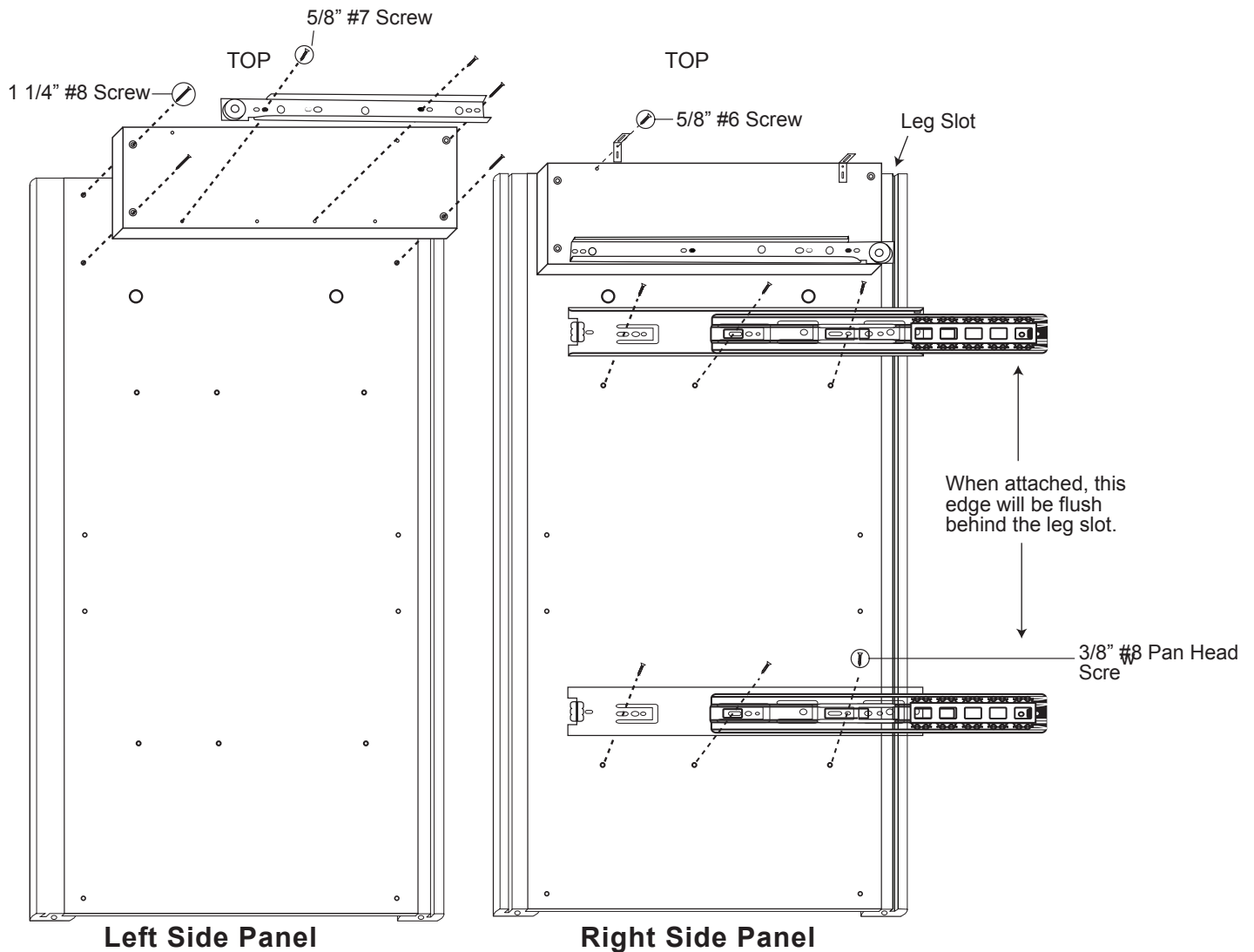
IMPORTANT - There is a right and a left side panel. Lay them out as shown below. Pay close attention to the glides so that they are properly positioned when attaching to the side panels. Review Step 1A for specific instructions on the full extension glides.

 8 Used in this step
1-1/4" Phillips Flat Head #8 Screw

 4 Used in this step
5/8" Phillips Flat Head #6 Screw

 4 Used in this step
5/8" Phillips Flat Head #7 Screw

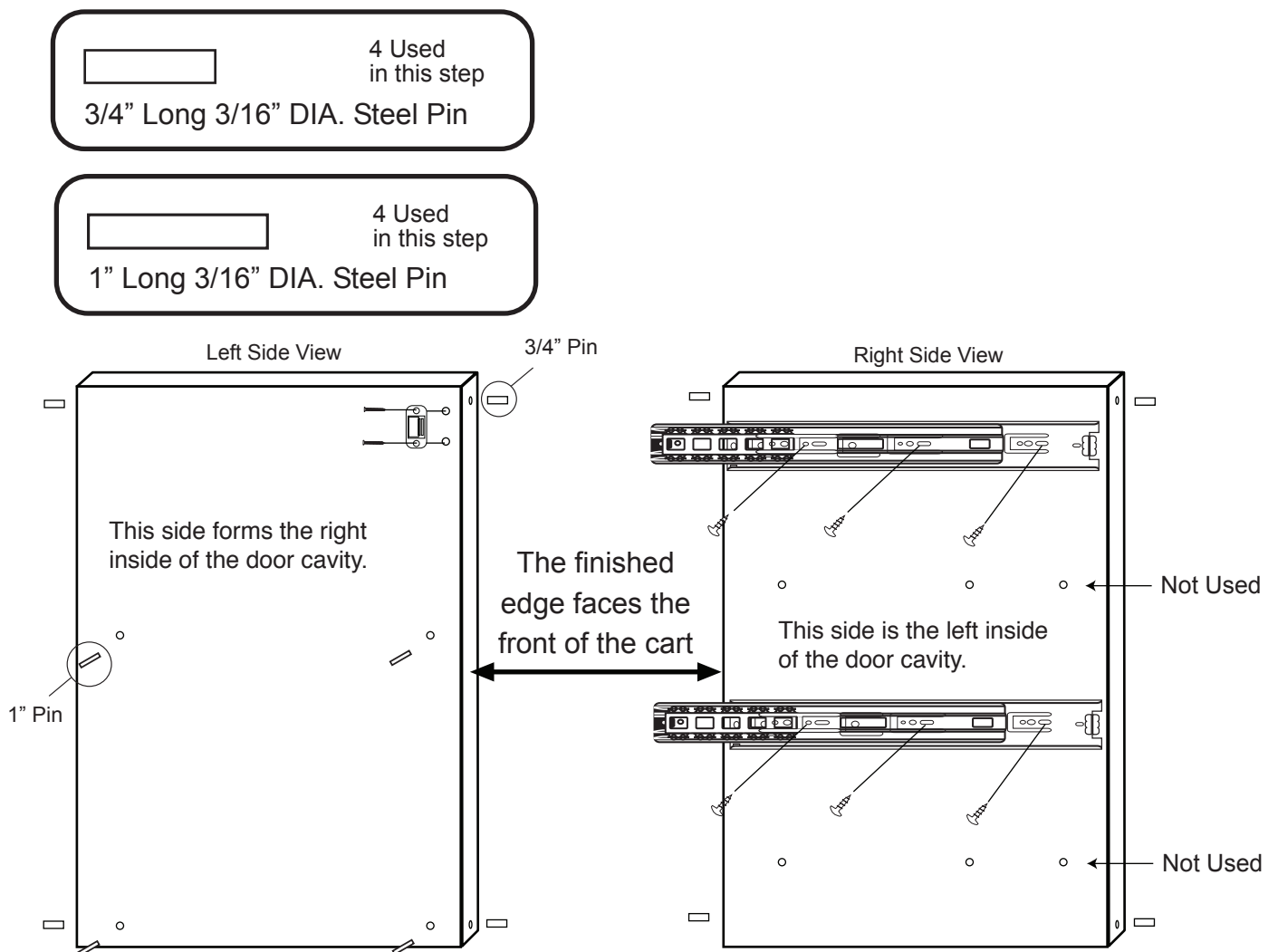
 6 Used in this step
3/8" Phillips Pan Head #8 Screw



PLEASE NOTE - Some pieces are interchangeable with other units we manufacture, and thus some pilot holes may not be used. It is important to note the proper holes required for assembly in each step.

STEP 2

- A. Tap/insert 3/4" pin into each long edge of the center divider. DON'T OVERDRIVE PINS! Pins should stick up about 1/4" when seated.
- B. Attach the magnet with 1/2" #4 screws to the top of the door.
- C. Attach full extension glides to the center divider as shown. Note that the glides should slide out towards the same edge with the attached magnet.
- D. Tap 1" steel pins into the left side of the center divider to be used as shelf supports in a later step.



TIPS ON HOW THE BASTION FASTENING SYSTEM WORKS

1. The Bastion fastening system consists of a steel post (threaded on one end with a hole through the shaft on the other end); a Barrel Nut (cylindrical barrel-shaped with threaded open end & holes through the sides); and a Set Screw (Phillips slot on one end, pointed on the other)

2. To attach Posts: A) Dip threads of Post in vegetable oil. B) Align threaded end of Post with hole in wood, tap on slotted end with hard hammer until threads enter, then tighten down using a flat head screw driver or the provided allen wrench (See the Illus. Bas. 3 for alternate seating methods). **DO NOT TRY TO HAMMER THE POST ALL THE WAY IN AS IT WILL STRIP THE POST HOLE.** C) When solid shaft of Post hits wood, back out approximately ½ turn until the hole in the posts is properly aligned as per step by step directions. For example: the holes in the posts on the inside of the drawer front will be parallel with the long length of the drawer front when properly seated.

3. A) Place a Barrel Nut into the nut access hole, so that the threads in the nut face out. The small notches on either side of the nut opening, indicate the location of the holes through the sides of the nut. B) Insert the posts through the end of the braces (or drawer sides); through the holes in the sides of the nut. When properly aligned, you will see the hole in the post inside the barrel nut. Post hole should be slightly off-center toward the wood.

4. Insert the Set Screw into the threaded end of the nut and tighten down. The tip of the Set Screw will seek the center of the hole in the Post as it is tightened down, forcing the Nut toward the main shaft of the Post. This is what tightens the wooden parts together. Set screws should thread easily – **DON'T CROSS THREAD!** If Set Screw doesn't thread easily, check position of the hole in Post.

5. If the wooden parts are not tight against each other, the Post needs to be screwed a half turn at a time until wood joints are tight.

Illustration Bas. 1

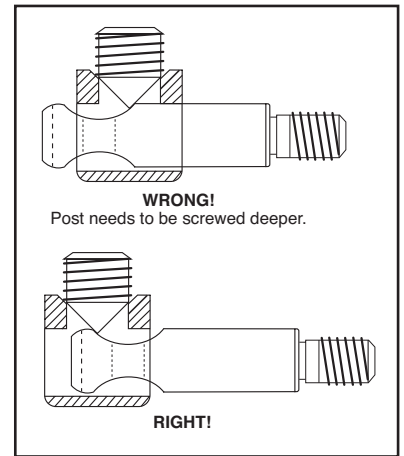
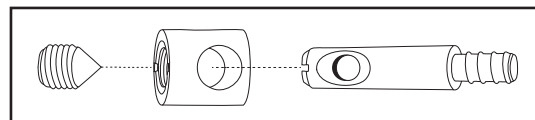
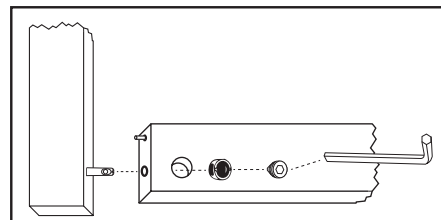


Illustration Bas. 2

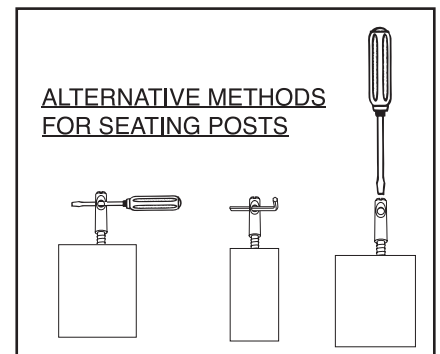


Step 2

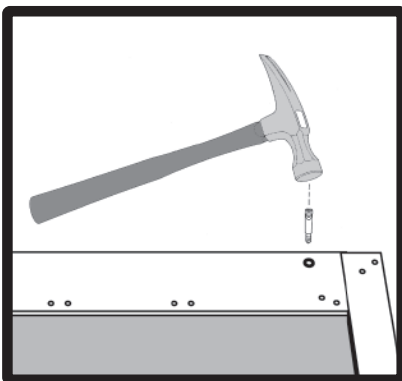


Allen Wrench Provided

Illustration Bas. 3



Step 1



See video on our website!

If you have any questions regarding assembly or missing or damaged parts, call our customer support number:

607-652-7321 or 888-732-7321.

Customer Support Hours are 8am-5pm Mon. - Fri. Eastern Time zone.

STEP 3

A. Attach the Top Drawer Back to the Drawer Sides with four 1 1/4" #8 screws. There are left and right sides. Make sure the slots that run the length of the Sides are aligned with the slot in the Drawer Back to accept the Drawer Bottom.

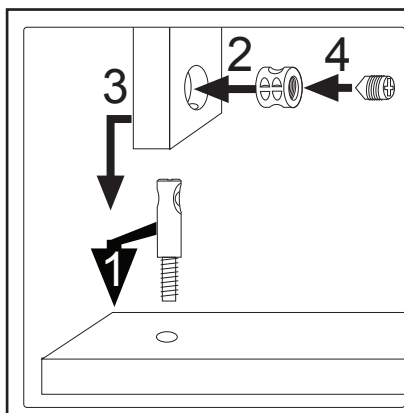
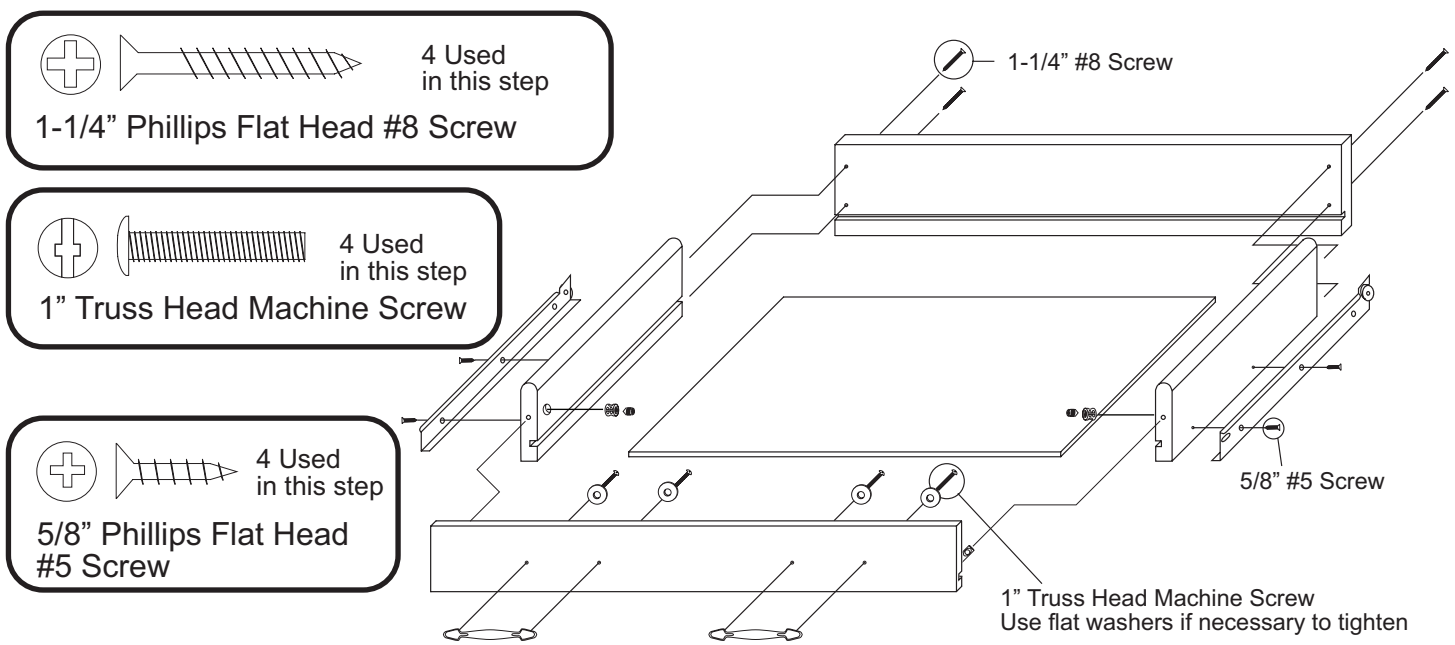
B. Slide in Drawer Bottom, best side up, to inside of drawer.

C. Take the 2 bastion posts, align the threaded end of the posts with the post holes located near the ends of the inside of the Drawer Front. Tighten posts down until the solid shaft of the posts hits the wood. Back post out until the hole/screwdriver slot in end of post is parallel and in direct line with the long edges of the Drawer Front.

D. Insert the barrel nuts into the nut access holes on the inside of the Drawer Sides with the threaded ends of the nuts facing out. Take the Drawer Front and carefully insert the posts into the ends of the Drawer Sides, through the sides of the nuts until seated. Push nut snug up against the wood in the nut access hole toward the inside of Drawer Front. Hole should be slightly off-center toward the Drawer Front. Insert the set screw and tighten down. The ends of the sides should be tight against the inside Drawer Front.

E. Attach the drawer handles with 1" Truss head machine screws.

F. Attach the drawer glides (left and right) to the Drawer Sides using two 5/8" #6 screws per side. Wheels go toward Drawer Back and are up. The end with no wheels should touch the Drawer Front.



BASTION ASSEMBLY INSTRUCTIONS

**DO NOT USE POWER SCREW DRIVER FOR THIS STEP.
USE HAND SCREW DRIVER ONLY.**

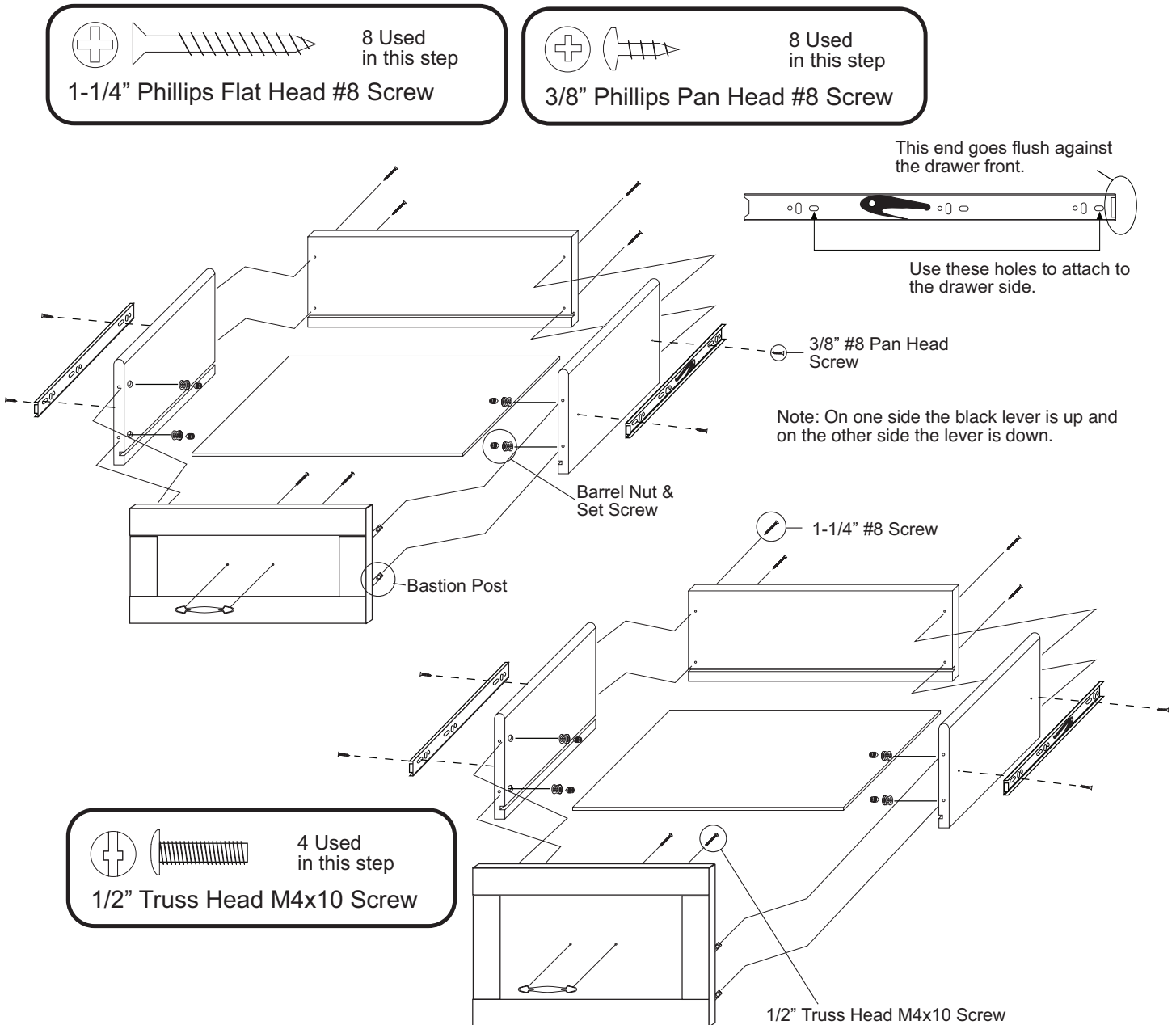
1. Screw Bastion post into drawer front. Screw until all threads are hidden, then back out a full turn such that the hole in the post will face left to right.
2. Place the barrel nut into the side brace hole.
3. Slide the side brace onto the post such that the post also slides into the barrel nut.
4. Screw the set screw into place, tightening such that the side brace and drawer front pull together tightly.

STEP 4

Perform a similar drawer assembly as Step 2 for the lower drawers.

- A. Using 1-1/4" #8 screws, attach the drawer back to the drawer sides as shown below.
- B. Slide the drawer bottom into the slots.
- C. Insert Bastion Posts into the drawer front and tighten into position.
- D. Insert Barrel Nuts into the holes on the drawer sides, and slide the drawer front into place. Tighten with the set screws. Use hand screwdriver or hex wrench.
- E. Attach the full extension glides to the drawer sides. See step 1B to locate the correct part of the glide for this step.
- F. Using 1/2" Truss head screws with two washers each, attach the handle to the drawer front.

FOR TIPS ON HOW THE BASTION SYSTEM WORKS SEE LAST PAGE!

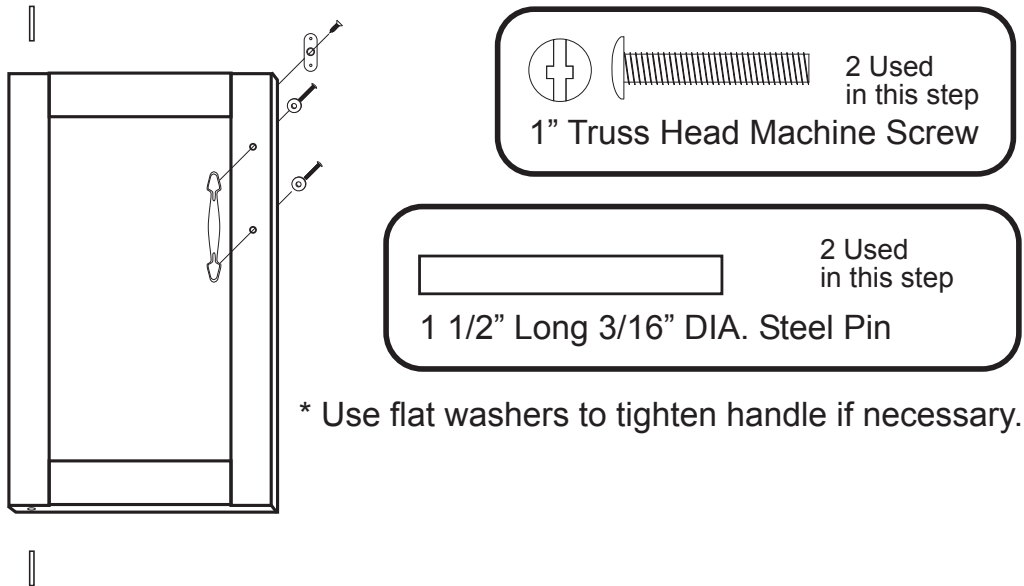


STEP 5

A. Tap/insert ONE 1 1/2" pin into each end of the door. DON'T OVERDRIVE PINS! Pins should stick up about 1/2" when seated.

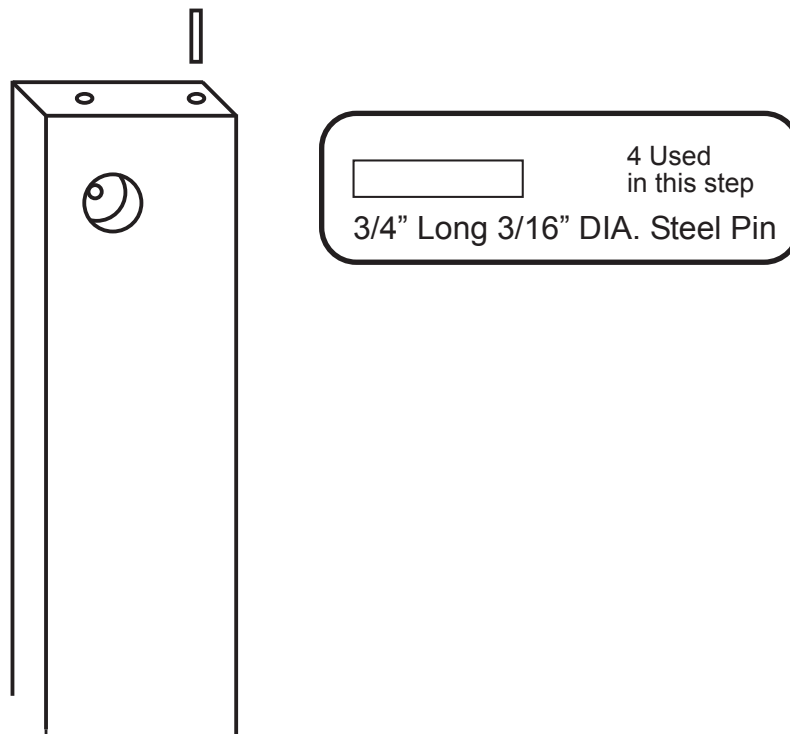
B. Attach the magnet plate (may be stuck to magnet in the hardware pack!) with a 1/2" #4 screw to the top of the door. Bumps go toward the wood, and the plate should be vertical.

C. Attach door handle with 1" truss head machine screws. Use washers if necessary to tighten.



STEP 6

A. Take the 2 front braces and tap/insert one 3/4" steel pin into each end of both braces until seated. About 3/8" will stick out when seated. OK if loose.

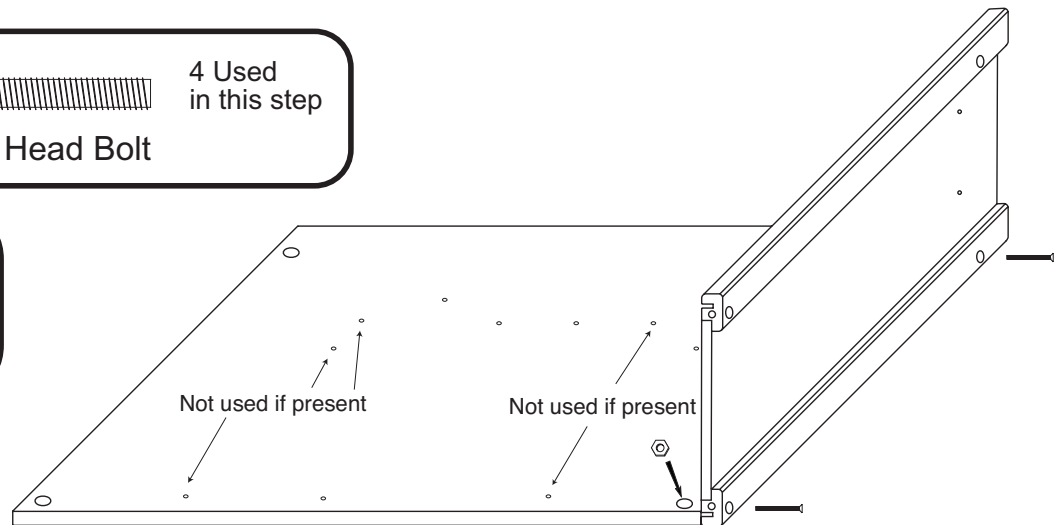
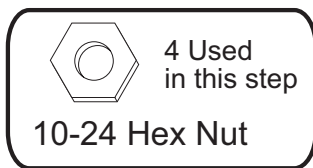
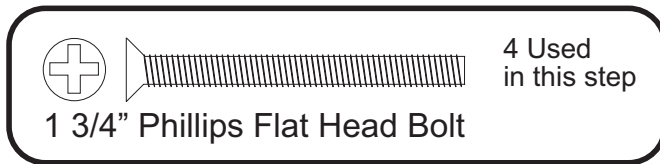


STEP 7

A. Lay Back Panel flat on a smooth surface with holes up.

B. Attach Side Panels with 1 3/4" machine screws (bolts) and hex nuts. After inserting bolts(s) thru the holes in the Side Panels, thru the holes in the long edges of the Back Panel, place a hex nut on the tip of your finger, align nut with bolt and tighten.

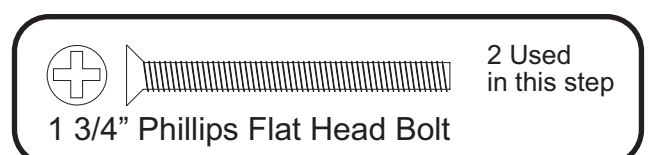
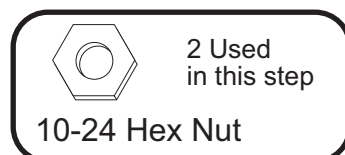
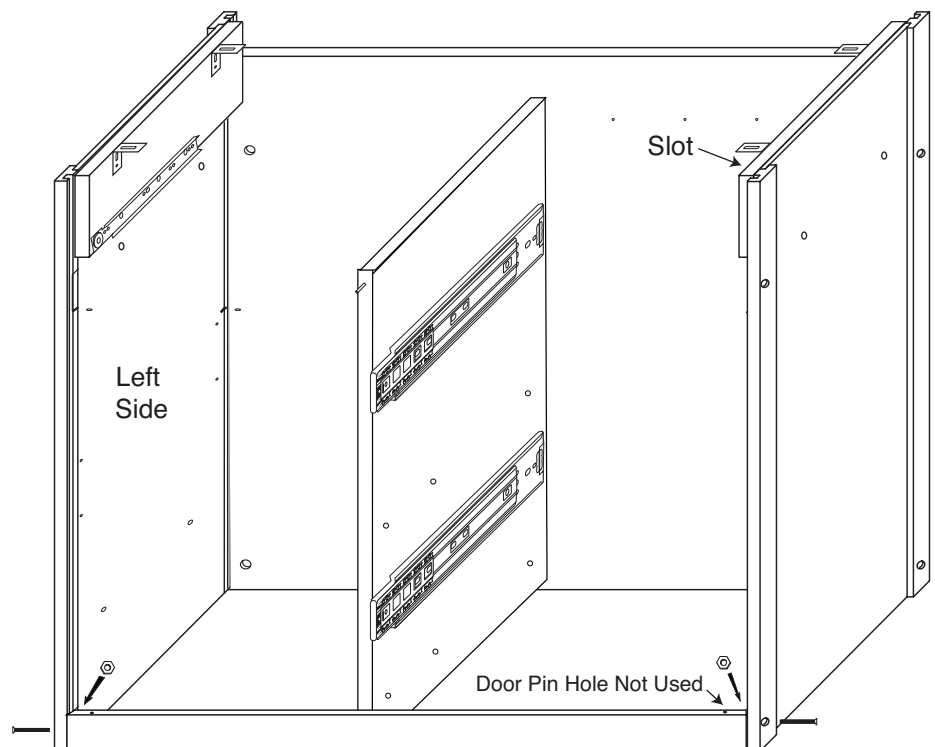
C. Look ahead to step 8 which shows side panels attached to back panel.



STEP 8

A. Place the center divider pins into the holes in the back panel.

B. Take the Bottom Front Brace and insert the pin in the right end of the brace into the slot in the top of the right front leg and slide down as in the illustration. The pin in the left end of the brace will be outside the slot at this time. Loosely secure the right side of the brace with 1 3/4 in. machine screw/nut. Align the bottom pin in the divider with the hole (closest to the left side) on the inside of the brace. Spread the left side panel until the pin in the left end of the brace can enter the slot and secure brace with 1 3/4 in. machine screw/nut. Tighten right side bolt/nut.



STEP 9

A. Fit a washer onto the bottom door pin and slide the pin into the bottom front brace.

B. Slide the Top Front Brace into place and secure the brace using 1 3/4" machine screws and nuts as in illustration 9A & 9B.

C. Tap 1" pins into Side Panel as in illustration 9B. These will hold the shelves.

IMPORTANT! - To guarantee proper positioning, loosen the screws holding in the full extension drawer glides, and shift the glides back against the back panel. Retighten the screws.

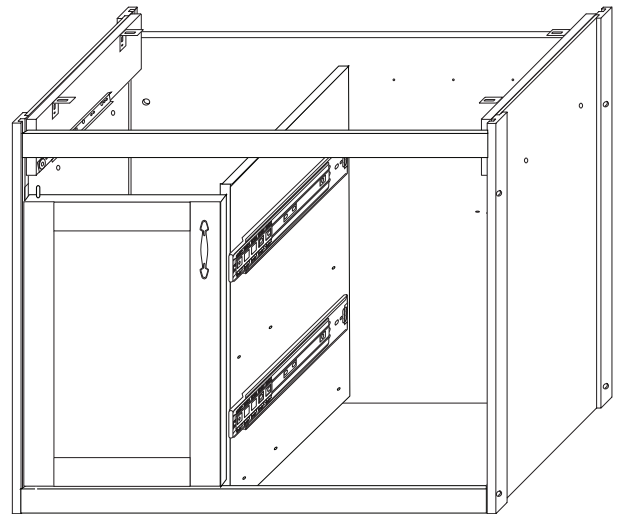


ILLUSTRATION 9A

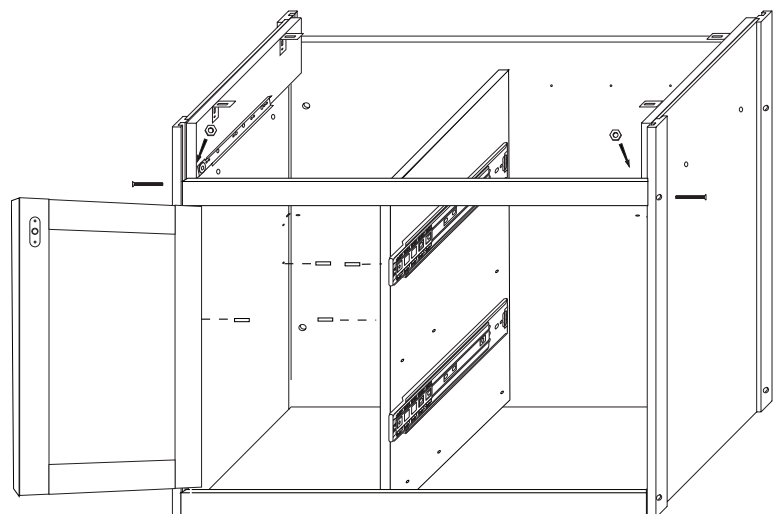
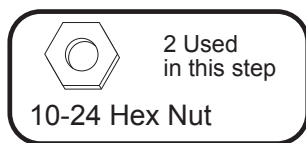
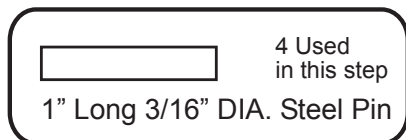
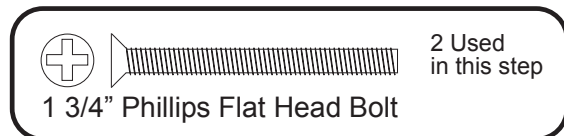


ILLUSTRATION 9B

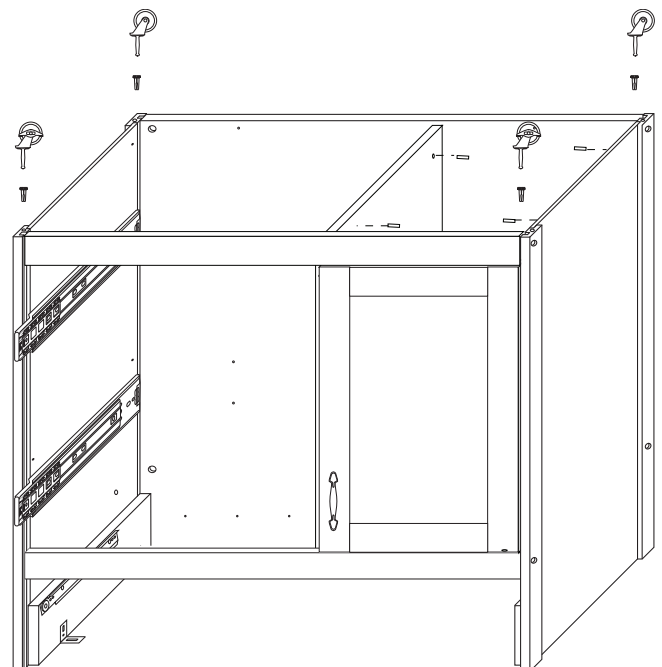
STEP 10

Invert unit, or lay the unit on its back to insert the wheels. Have a friend help with this step as the unit can be heavy and awkward to move.

A. Insert and tap caster sockets with hammer until the teeth grab the wood. **DON'T POUND SOCKET FLAT OR CASTER SHAFT WILL NOT ENTER.**

B. Insert casters and seat by pushing straight downward with heel of your hand, or tap into place with a hammer. Don't be afraid to give them a good downward whack on the solid metal part of the caster!

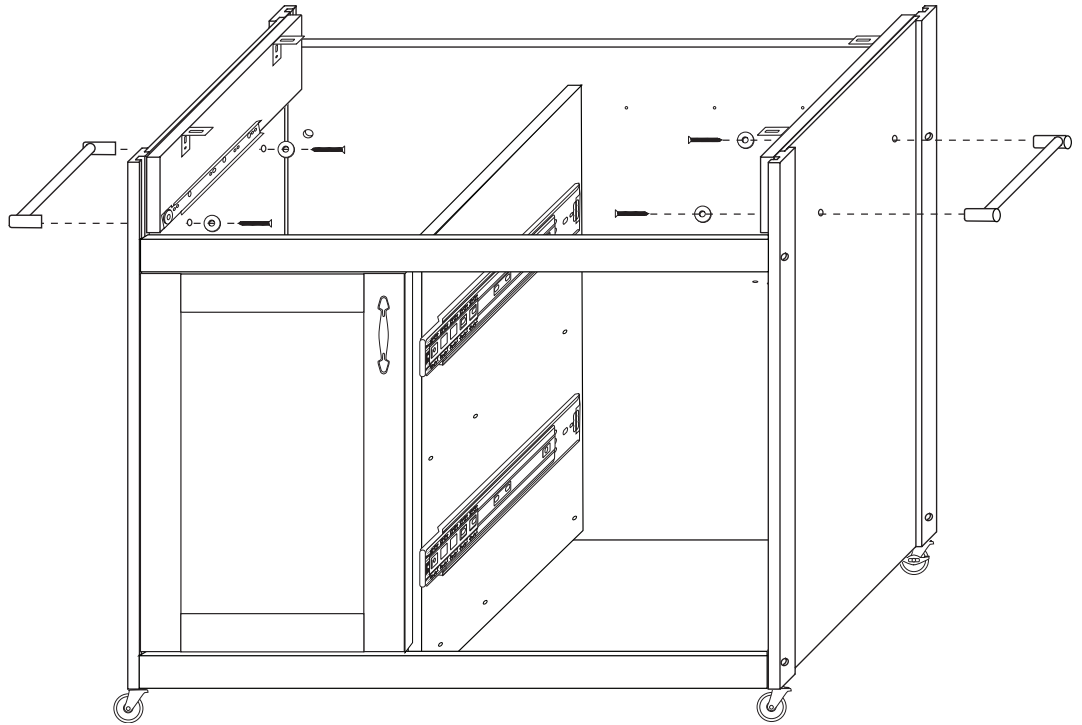
C. Locking wheels usually go on front.



STEP 11

A. Upright unit.

B. Attach Towel Bars to the Side Panels with 1" #8 screws from inside each Side Panel.



STEP 12

A. Assemble top by placing the top and the drop leaf upside down on a smooth flat surface. Install hinges using 5/8 #8 screws. The longer part of the hinge goes on the drop leaf with the short part on the cart top. Fasten the drop leaf supports using 5/8 #8 screws. Attach Drop Leaf Supports with 5/8 inch #8 screws. See illustration 12A.

B. Make a large (X) mark over each of the 4 pilot holes in the bottom. Make marks about 1/2-1" long. These marks will help you align the cabinet with the pilot holes in the bottom of the Top.

C. Place the Cart Top on the cabinet. Open the outside doors. Maneuver the Cart Top so that the (X) marks/pilot holes in the bottom of the Top align with the slots in the "L" brackets. Secure top to "L" brackets with 5/8" #6 screws.

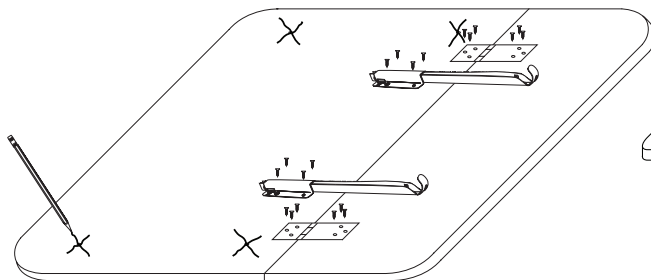
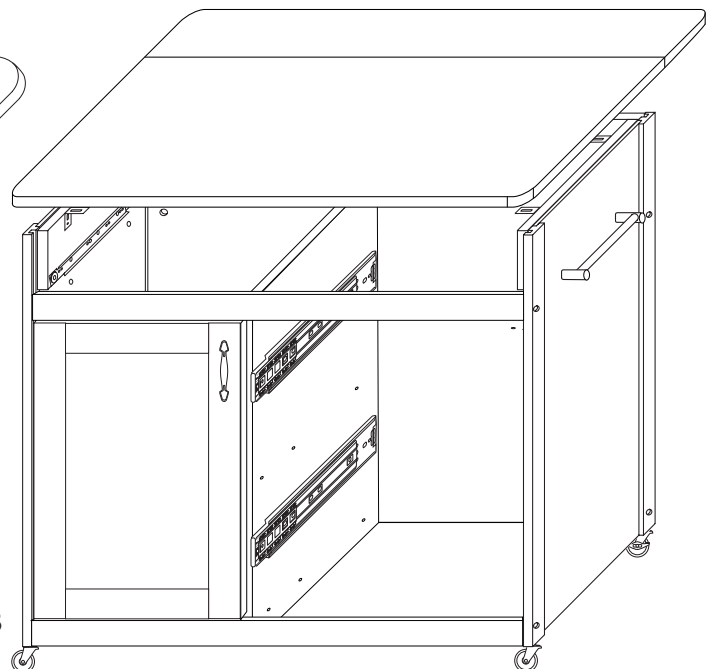


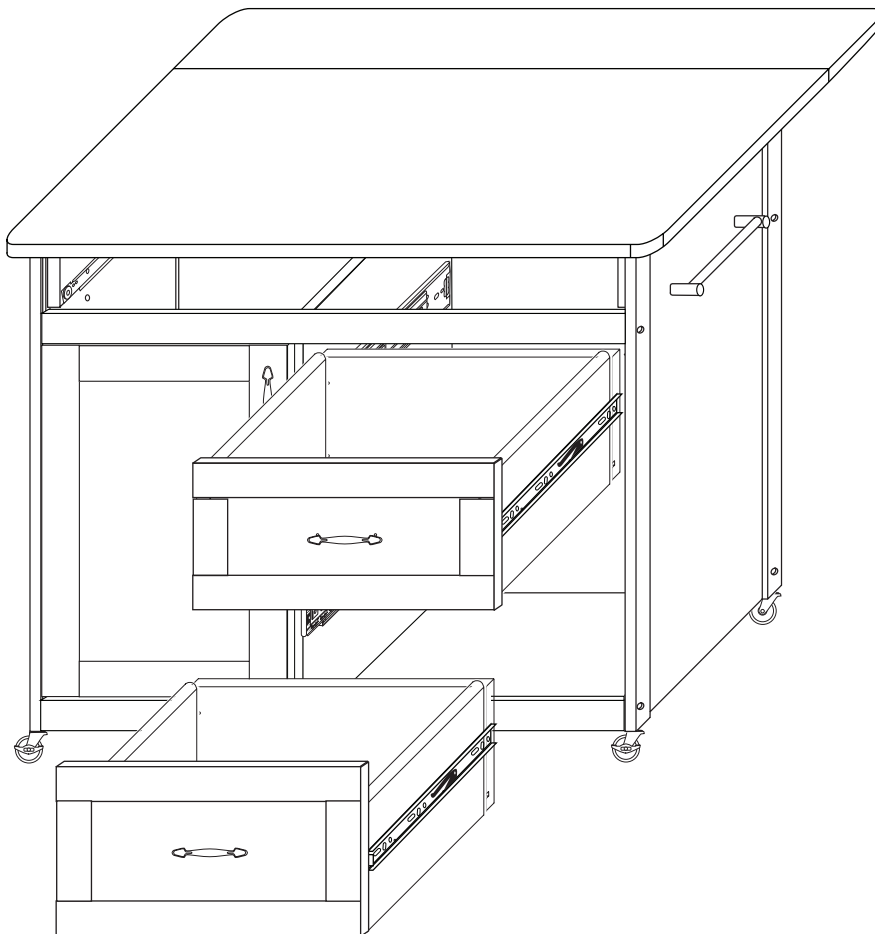
ILLUSTRATION 12A

ILLUSTRATION 12B



STEP 13

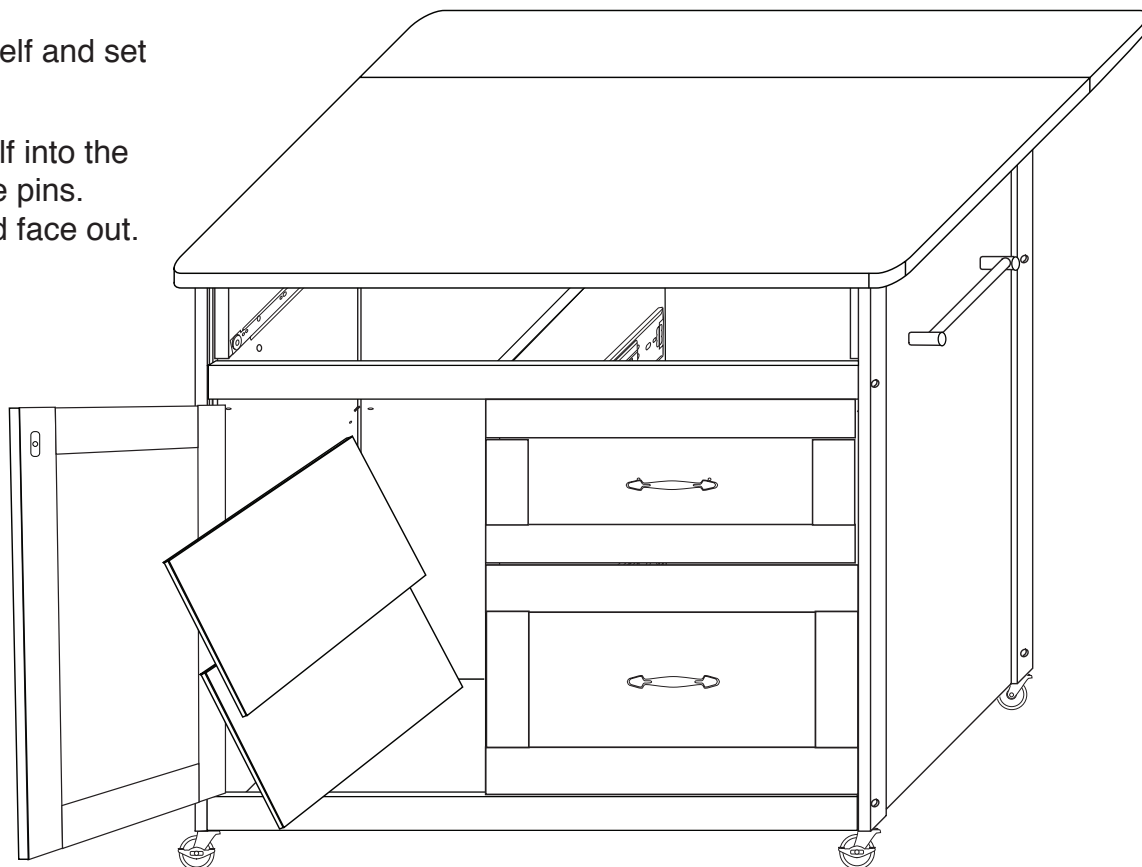
Slide the lower drawers into place. To initially seat the glides, it will take some force. Once the glides are properly seated, the drawers should pull out and slide in with ease.



STEP 14

A. Tilt the bottom shelf and set down onto the pins.

B. Fit the middle shelf into the cart and rest it on the pins. Edge banding should face out.



STEP 15

A. Slide the top drawer into the front of the cart.

B. Retighten all 1 3/4 in. machine screws and nuts. Tap in the 5/8 wooden plugs into the holes on the legs.

C. Illustration 15B shows completed 1521.

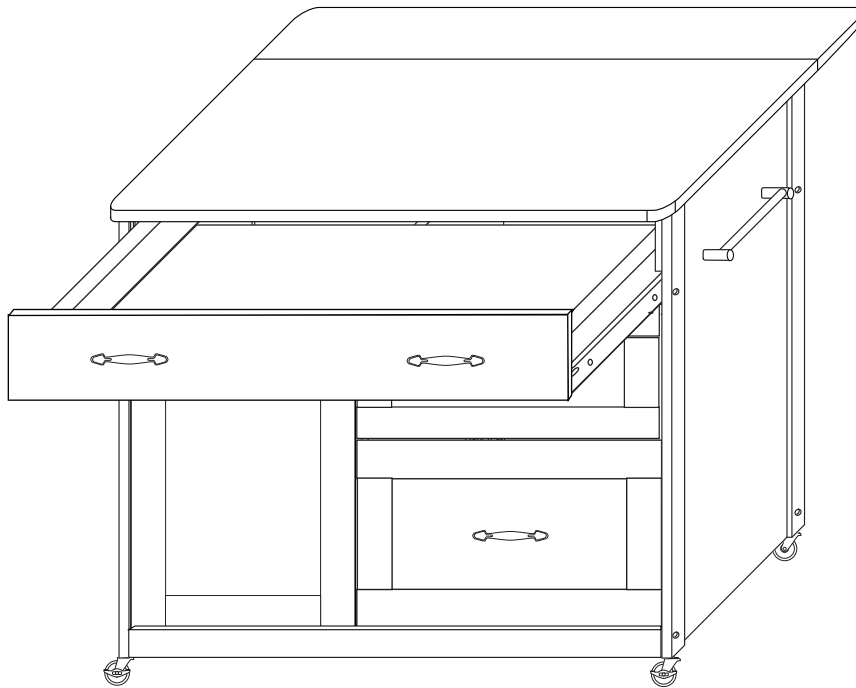


ILLUSTRATION 15A

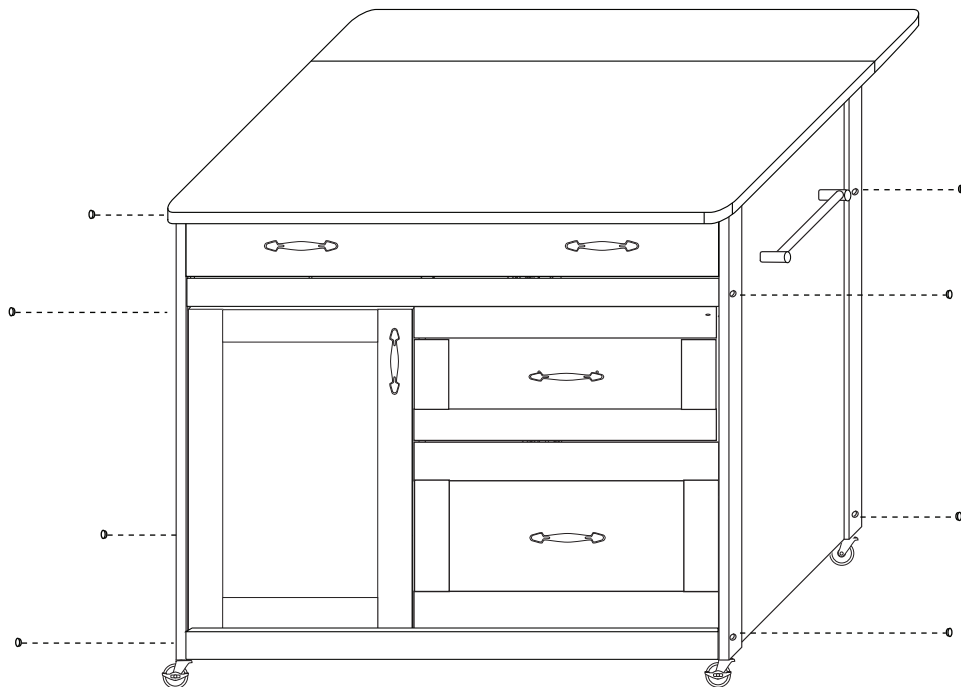


ILLUSTRATION 15B



For continued beauty and long life of your Catskill Craftsmen cart, we recommend Catskill Craftsmen's Butcher Block Oil. Our Butcher Block Oil is available directly from Catskill Craftsmen's factory. For one eight ounce (8 fl. oz.) bottle, which is sufficient for two applications, simply send \$7.95 along with the completed coupon to the address below. Visit us online at www.catskillcraftsmen.com to browse our assortment of butcher block care products. Visa and Mastercard are accepted online.



Catskill Craftsmen, Inc.
15 West End Ave.
Stamford, NY 12167-1296



BUTCHER BLOCK OIL COUPON

Please send me _____ # of bottle(s) of the Catskill Craftsmen Butcher Block Oil at \$7.95 per bottle. My check or money order is enclosed for a total of \$_____.

Item code: 1521

Name _____

Address _____

City _____

State _____ Zip _____

Please make checks payable to Catskill Craftsmen Inc.
15 West End Ave., Stamford, NY 12167-1296