

CATSKILL

C R A F T S M E N , I N C .

Assembly Instructions Model 1468

Deep Drawer Double Drop Leaf Cart



GENERAL:

1. You have purchased model 1468.
2. Should you need assistance or need to replace a damaged or missing part simply give us a call M-F at 607-652-7321 from 7:30 am - 4:30 pm EST and we'll send you the prepaid part via UPS usually that same day! You may also email us info@catskillcraftsmen.com.
3. Read the assembly instructions and the enclosed brochure before beginning assembly. Assembly is easy if you read and follow the instructions step by step. See our website for assembly tips and videos: www.catskillcraftsmen.com
4. The only tools needed are a hammer and a screwdriver. A power screwdriver is recommended. Where possible we have packaged some of the screws in separate labeled packages. A friend is recommended to assist with the assembly. Some parts are large and awkward to hold in place.
5. Glides are sometimes pre-packed with screws. These are not used.
6. Instructions (left/right, top/bottom) are given as you face an assembled unit.

Parts List Model 1468

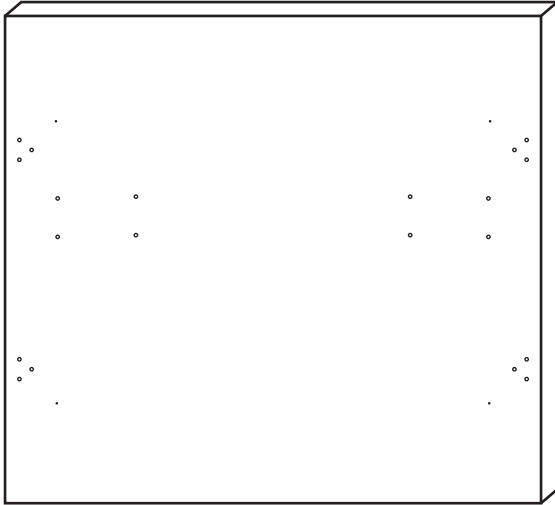
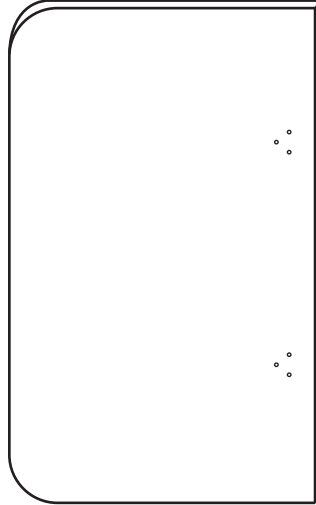


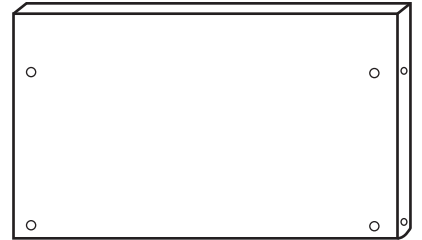
Table Top (1)
P/N TT-1468
20" x 22" x 1 1/2"



Drop Leaf (2)
P/N DL-1468
20" x 12" x 1 1/2"



Top Side Braces (2)
P/N B-1469/TS
13" x 7.75" x 3/4"



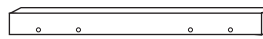
Top Back Brace (1)
P/N B-1469/TBK
16 1/2" x 9" x 3/4"



Drawer Side Left (1)
P/N DS-1468L
14" x 7" x 3/4"



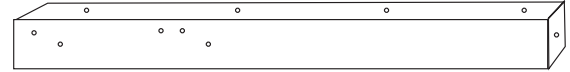
Drawer Side Right (1)
P/N DS-1468R
14" x 7" x 3/4"



Glide Support Braces (2)
P/N GS-1468
13" x 2" x 3/4"



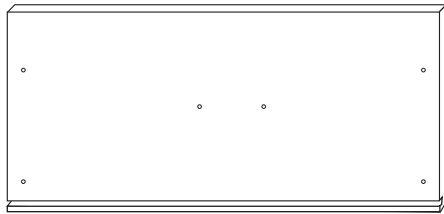
Drawer Back (1)
P/N DBK-1468
15 1/2" x 7" x 3/4"



Right Front/Left Back Leg (2)
P/N Leg-1468 FR/BL
30" x 2 1/2" x 2 1/2"



Left Front/Right Back Leg (2)
P/N Leg-1468 FL/BR
30" x 2 1/2" x 2 1/2"



Drawer Front (1)
P/N DF-1468
16 5/16" x 8 7/8" x 3/4"



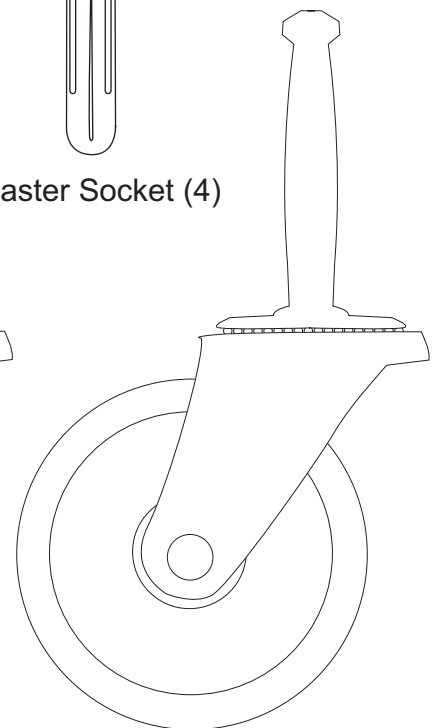
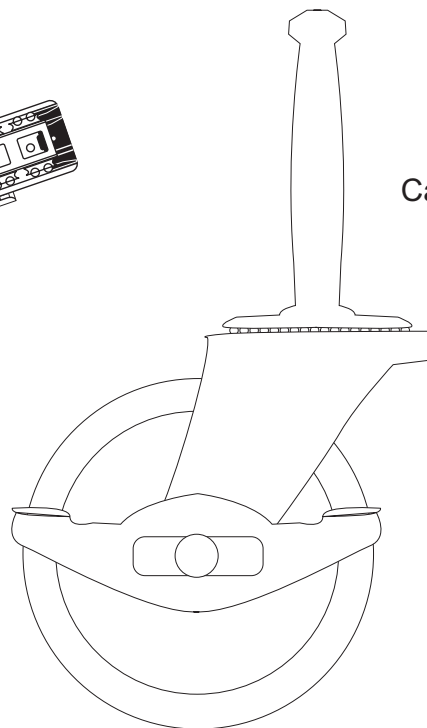
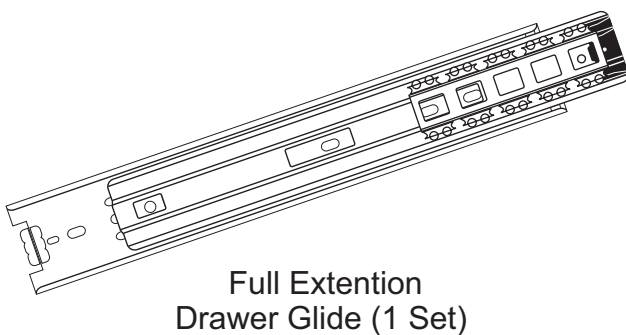
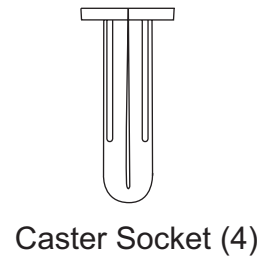
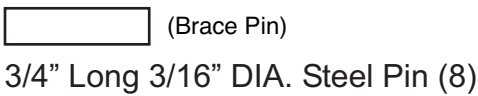
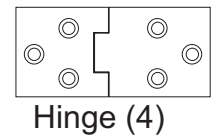
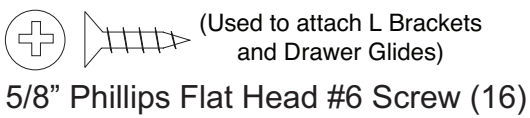
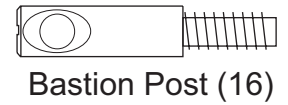
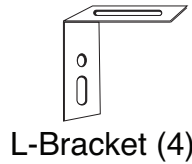
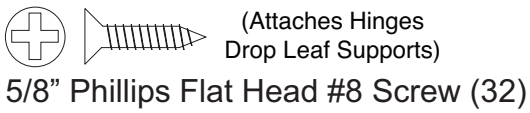
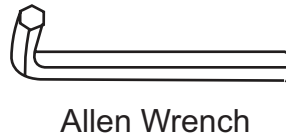
Drawer Bottom (1)
P/N DBOT-1468
14 5/8" x 14 5/8" x 5/32"



Slatted Wood Shelves (2)
P/N Shelf-1468
Pre-Assembled

Hardware List Model 1468

To ease assembly, sort and count the hardware before getting started.



TIPS ON HOW THE BASTION FASTENING SYSTEM WORKS

1. The Bastion fastening system consists of a steel post (threaded on one end with a hole through the shaft on the other end); a Barrel Nut (cylindrical barrel-shaped with threaded open end & holes through the sides); and a Set Screw (Phillips slot on one end, pointed on the other)

2. To attach Posts: A) Dip threads of Post in vegetable oil. B) Align threaded end of Post with hole in wood, tap on slotted end with hard hammer until threads enter, then tighten down using a flat head screw driver or the provided allen wrench (See the Illus. Bas. 3 for alternate seating methods). **DO NOT TRY TO HAMMER THE POST ALL THE WAY IN AS IT WILL STRIP THE POST HOLE.** C) When solid shaft of Post hits wood, back out approximately ½ turn until the hole in the posts is properly aligned as per step by step directions. For example: the holes in the posts on the inside of the drawer front will be parallel with the long length of the drawer front when properly seated.

3. A) Place a Barrel Nut into the nut access hole, so that the threads in the nut face out. The small notches on either side of the nut opening, indicate the location of the holes through the sides of the nut. B) Insert the posts through the end of the braces (or drawer sides); through the holes in the sides of the nut. When properly aligned, you will see the hole in the post inside the barrel nut. Post hole should be slightly off-center toward the wood.

4. Insert the Set Screw into the threaded end of the nut and tighten down. The tip of the Set Screw will seek the center of the hole in the Post as it is tightened down, forcing the Nut toward the main shaft of the Post. This is what tightens the wooden parts together. Set screws should thread easily – **DON'T CROSS THREAD!** If Set Screw doesn't thread easily, check position of the hole in Post.

5. If the wooden parts are not tight against each other, the Post needs to be screwed a half turn at a time until wood joints are tight.

Illustration Bas. 1

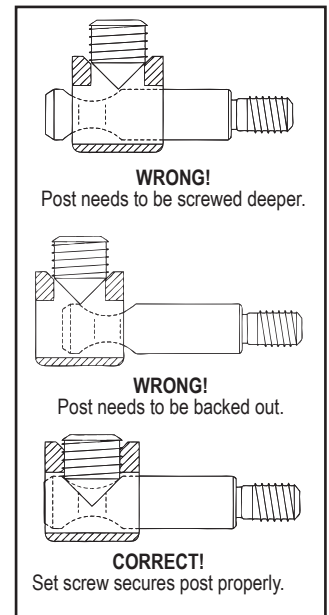
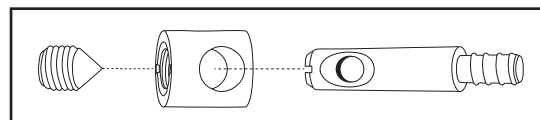
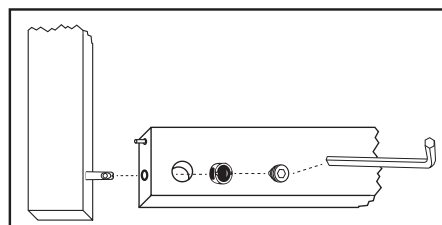


Illustration Bas. 2

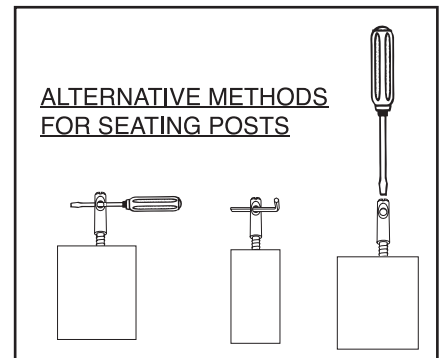


Step 2

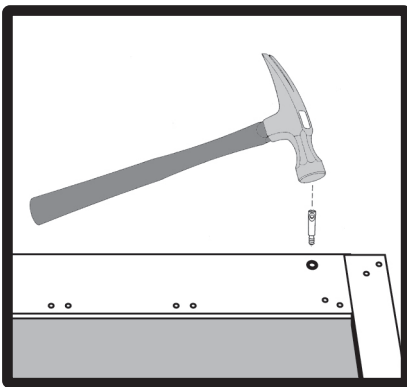


Allen Wrench Provided

Illustration Bas. 3



Step 1



See video on our website!

If you have any questions regarding assembly or missing or damage parts, call our customer support number:

607-652-7321 or 888-732-7321.

Customer Support Hours are 8am-5pm Mon. - Fri. Eastern Time zone.

STEP 1

Assemble Side Panels

A. Each side panel consists of two (2) legs, one (1) top side brace and one (1) glide support brace. When assembled, diagonal legs will be the same (i.e. Front Right/Back Left and Front Left/Back Right). Side panels are identical when assembled - the drawer glides will determine left and right sides.

B. Take each of the 4 legs and install two (2) Bastion Posts per leg, on the side of the leg which also has two (2) pin holes for the Glide Support Sticks. Locate post holes. Tap Posts in with hammer until threads engage wood; turn Posts down until the solid shaft hits the wood (All threads are into wood), then back Posts out until the holes in the Posts are perpendicular to the long length of the leg (about 1/2 turn). Attach L-Bracket to the leg using 5/8" Phillips Flat Head #6 Screw. Use the slot rather than the hole on the L Bracket. The hole is used to fasten the table top.

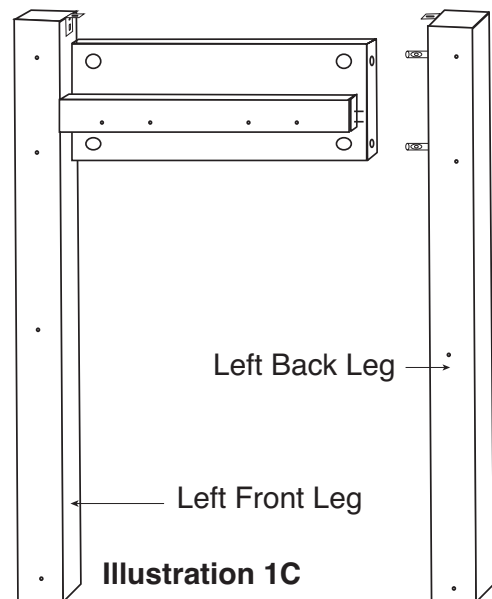
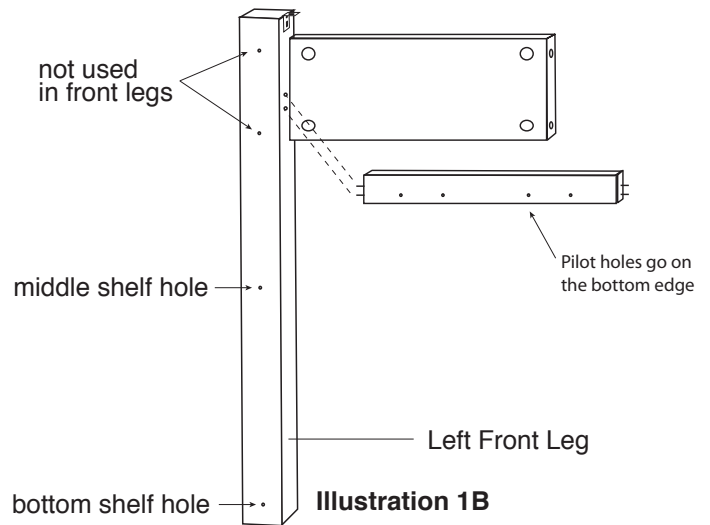
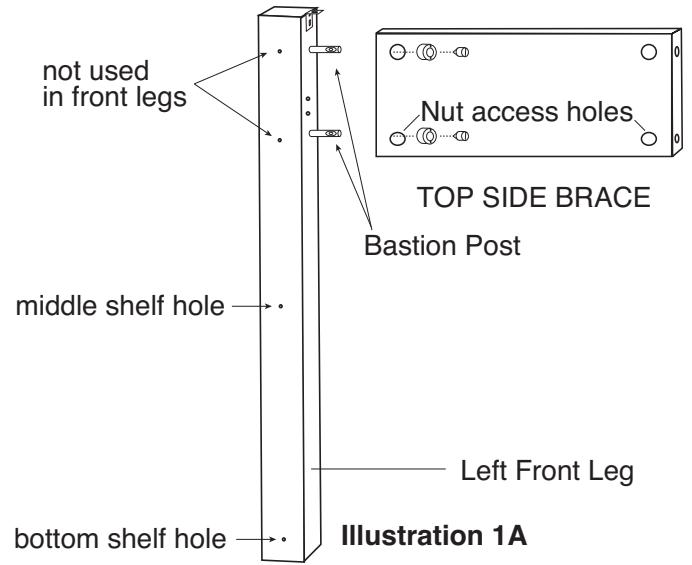
C. Lay out front leg and one (1) top side brace as shown in Illustration 1A.

D. Take the top side brace and drop two barrel nuts into the access holes as in Illustration 1A. Threaded end of the nuts face out. Insert front left leg posts into the holes in the ends of the brace, through the side of the barrel nuts, until the holes in the posts can be seen through the threaded end of the nuts. Insert the Set Screws into the nuts and tighten down. The tip of the set screw will seek the center of the bastion post as it is tightened leaving a tight joint. If the joint is too loose, check to make sure the set screw is not cross-threaded or that the post is out too far (not threaded into leg deep enough). See previous page for Bastion illustrations.

E. Insert two 3/4" pins into each end of the glide support brace. Position brace so that the pilot holes for attaching the glide are towards the bottom edge. Insert brace pins into the holes on the inside of the left front leg as in Illustration 1B (4 pilot holes out) with pilot holes off-center toward the bottom of the leg.

F. Attach Back Left Leg in the same manner as in Illustration 1C.

G. Repeat for other side panel.



STEP 2

Attach Drawer Glides to Glide Support Sticks

A. Take the Drawer Glides, extend them to their fullest. See illustration 2A. The glide has 3 parts. Remove the furthest extended part (smallest) by pushing the black plastic lever down - then pull part out, separating it. This part will attach to the Drawer Side later. Attach the largest parts to the Glide Support Stick using holes as illustrated. Attach with 5/8" #6 flat head screws. About 1 1/4" of this glide will overlap the Front Leg. See Illustration 2B.

B. Repeat with the other side.

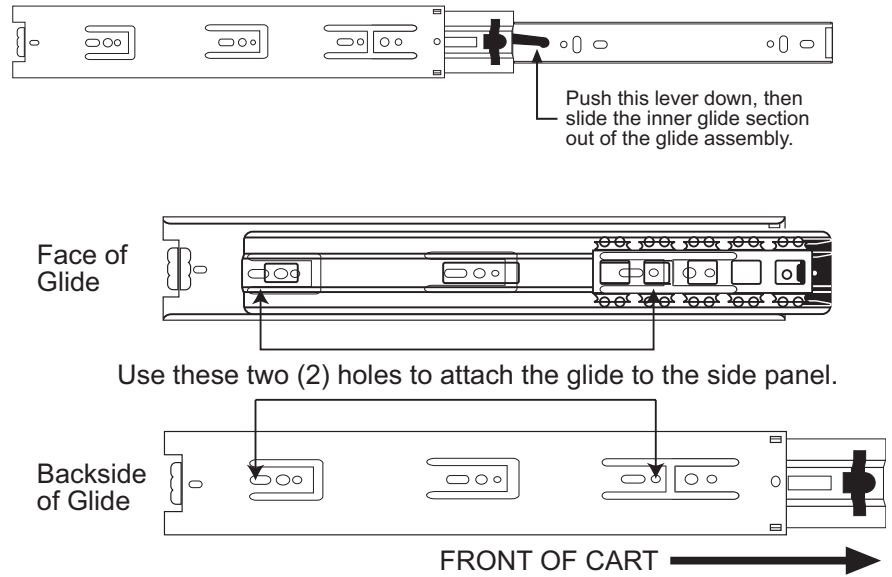
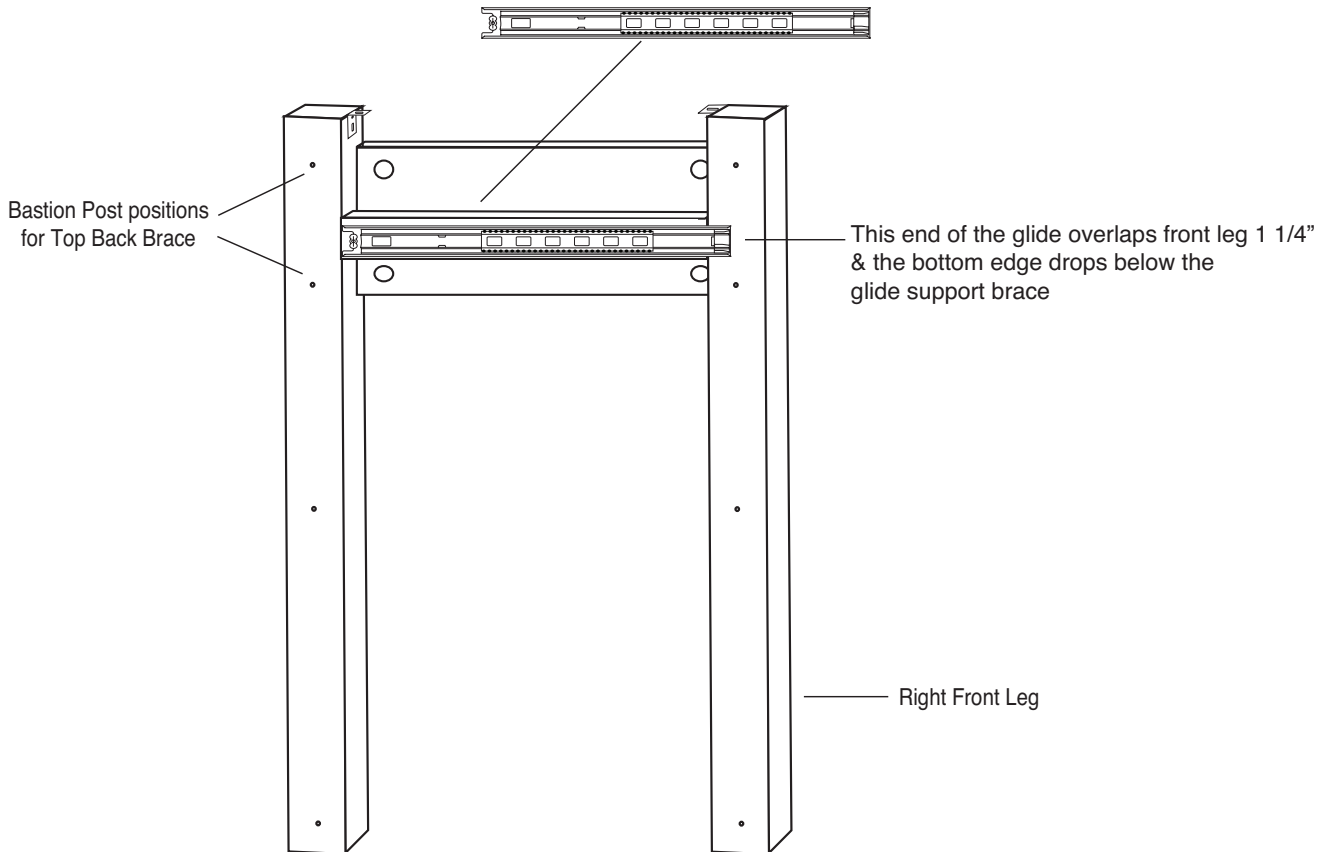


Illustration 2A



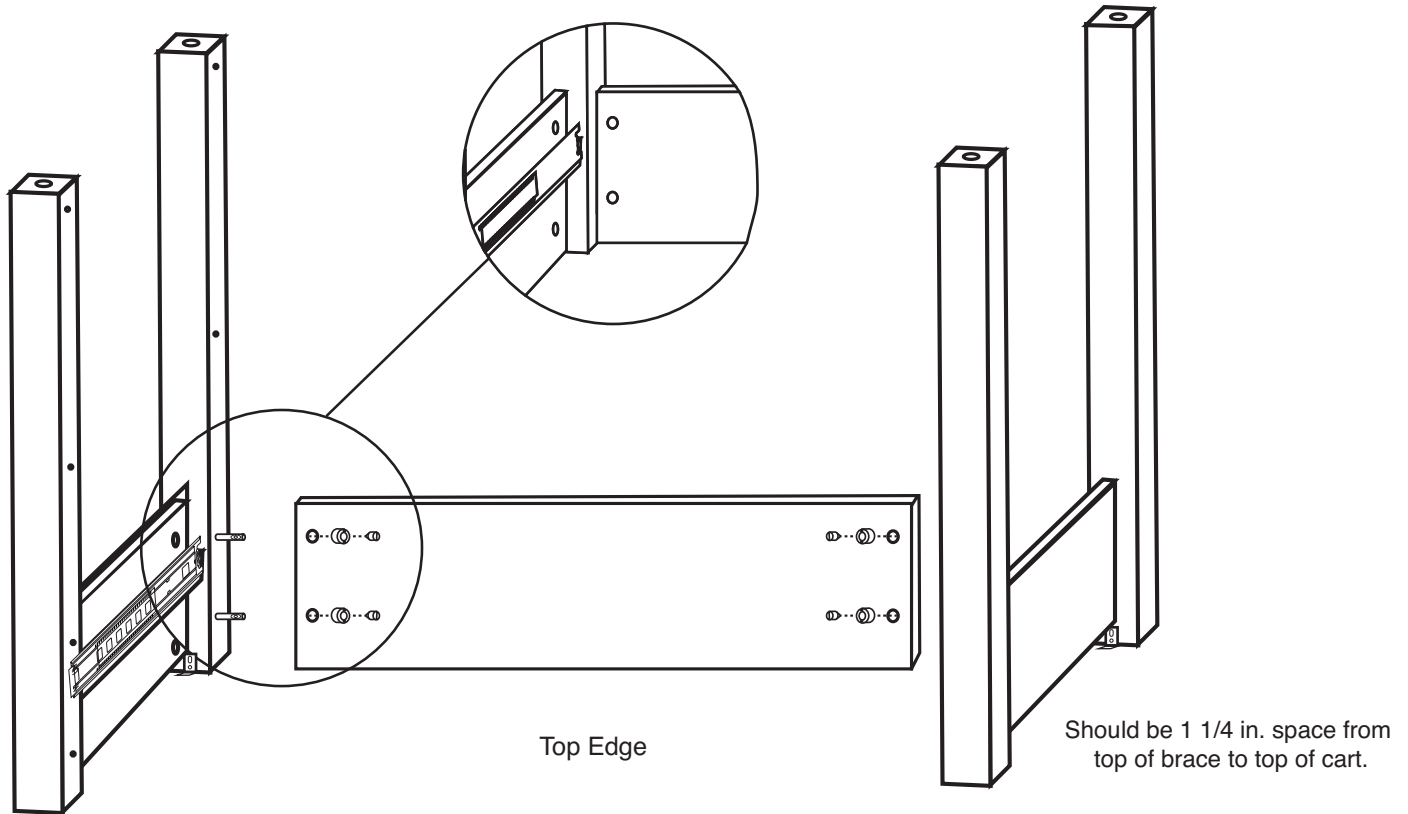
Prepare Side Assemblies for Top Back Brace

The top back brace utilizes the bastion system for attachment. Place the bastion posts into their positions on the back legs only of both side assemblies.

STEP 3

Attach The Top Back Brace

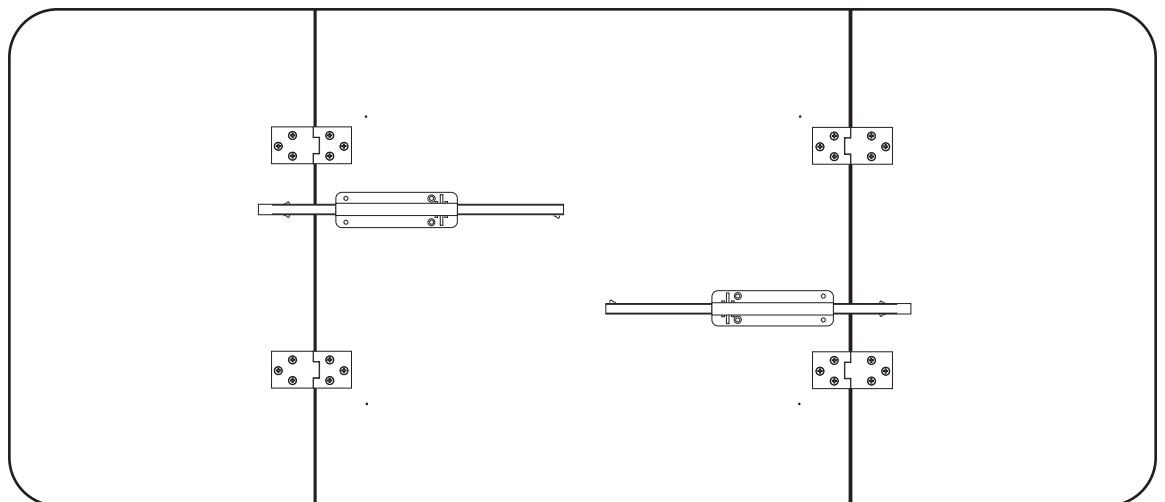
You may find it easiest to attach the Top Back Brace and shelves by inverting the island. The Top Side Braces are located 1 1/4" down on the legs. This allows clearance for hinges and the drop leaf supports. Attach the Top Back Brace to the left and right side panels with bastions.



STEP 4

Tabletop Preparation

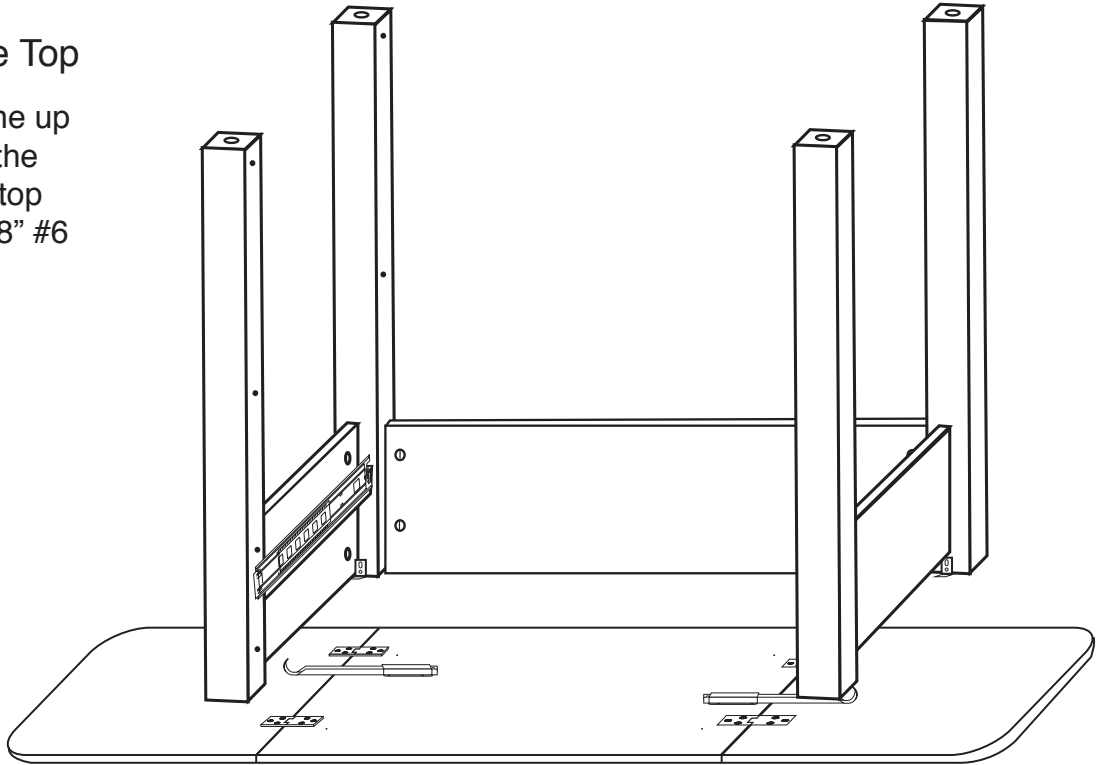
Invert the Table Top on smooth flat surface. Attach the 4 hinges with 5/8" #8 screws. Large part of hinges go on drop leaf. Attach the drop leaf supports with 5/8" #8 screws.



STEP 5

Attach Legs to Table Top

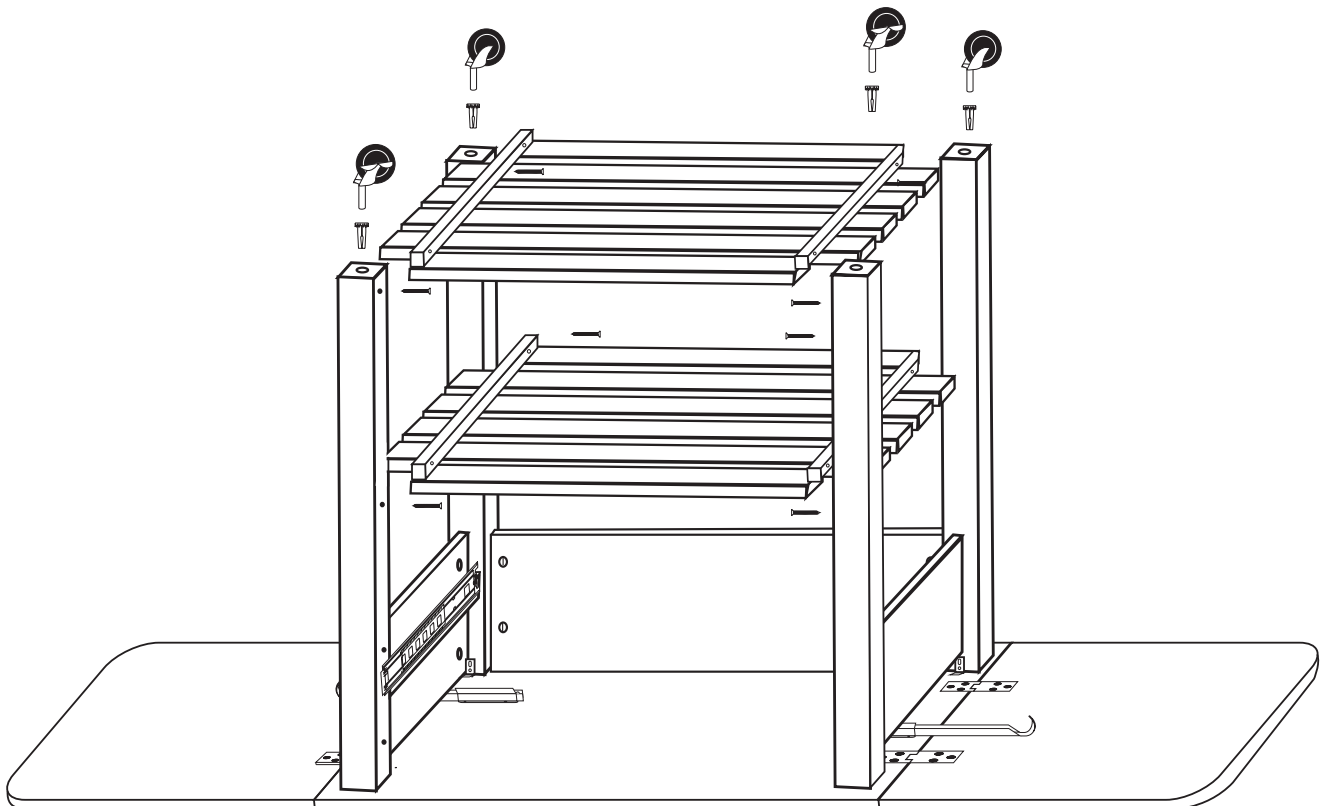
With top still inverted line up pilot holes with hole in the L Brackets and secure top to leg assembly with 5/8" #6 screws.



STEP 6

Attach Casters, Middle and Bottom Shelves

With unit still upside down, tap caster sockets into holes in leg ends until seated, then tap casters. Hit on metal part of caster to seat. Locking casters usually go on the front, non-locking casters on the back. Use 1 1/4" #8 screws to attach the shelf to the inside of the 4 legs.



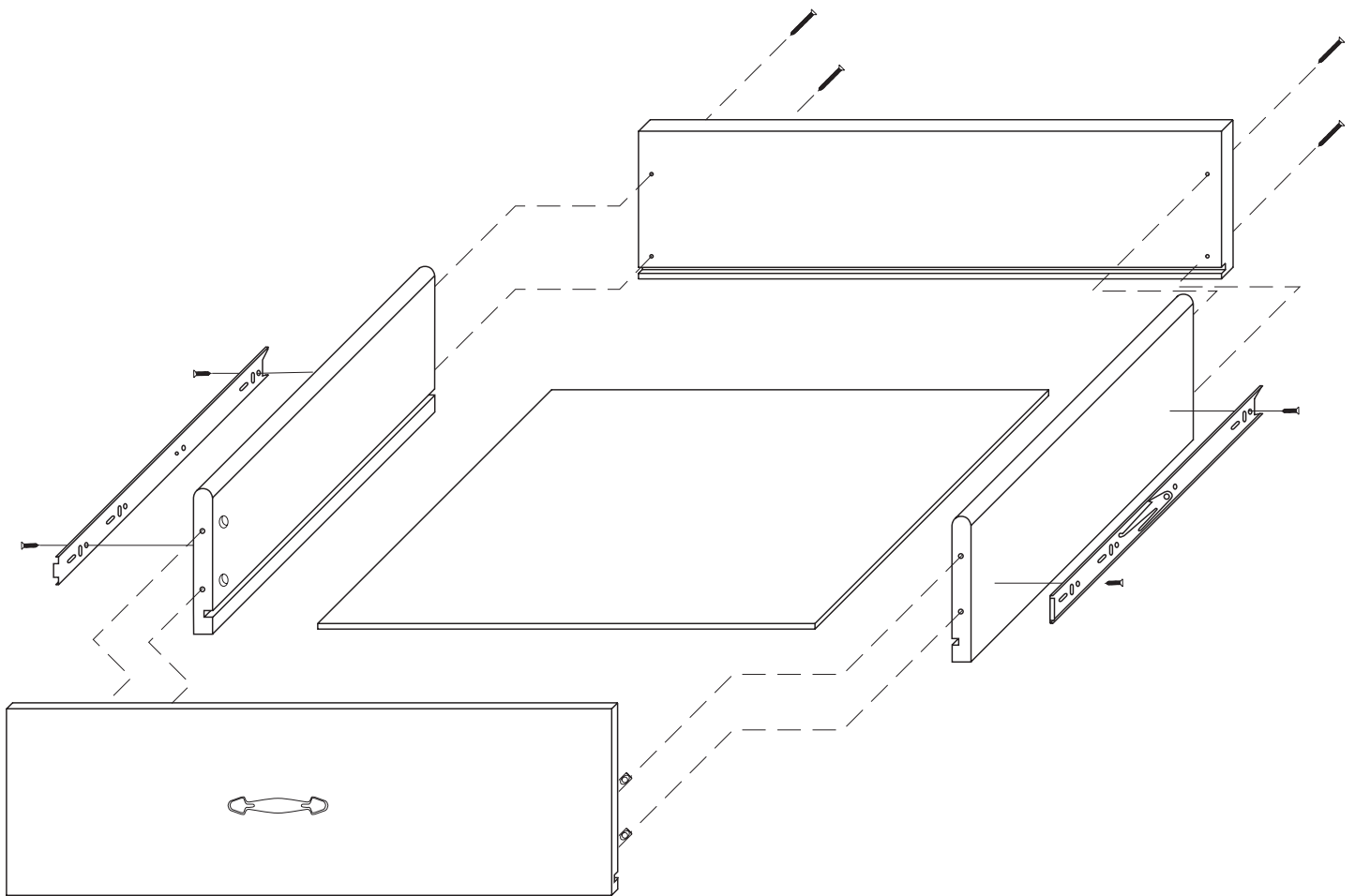
STEP 7

Assemble Drawer

A. Attach the drawer back to the drawer sides with 1 1/4" #8 screws. Slide in drawer bottom, best side up. Attach front using the Bastion System. Holes in the posts will be parallel to the long edge of the drawer front. See illustration.

B. Attach the drawer glide to the drawer sides with 5/8" #6 screws in the places indicated in the illustration. Black plastic lever will face outward. Glide will be up against the back of the drawer front.

C. After you have the drawer assembled simply upright the unit and attach the drawer to the cart by sliding it into the Glide Rails. Drawer glides will lock into place.





For continued beauty and long life of your Catskill Craftsmen cart, we recommend Catskill Craftsmen's Butcher Block Oil. Our Butcher Block Oil is available directly from Catskill Craftsmen's factory. For one eight ounce (8 fl. oz.) bottle, which is sufficient for two applications, simply send \$7.95 along with the completed coupon to the address below. Visit us online at www.catskillcraftsmen.com to browse our assortment of butcher block care products. Visa and Mastercard are accepted online.



Catskill Craftsmen, Inc.
15 West End Ave.
Stamford, NY 12167-1296



BUTCHER BLOCK OIL COUPON

Please send me _____ # of bottle(s) of the Catskill Craftsmen Butcher Block Oil at \$7.95 per bottle. My check or money order is enclosed for a total of \$_____.

Item code: 1468

Name _____

Address _____

City _____

State _____ Zip _____

Please make checks payable to Catskill Craftsmen Inc.
15 West End Ave., Stamford, NY 12167-1296