

CATSKILL

C R A F T S M E N , I N C .

Assembly Instructions Model 1842-1843

A. These units are Ready-To-Assemble. Catskill uses positive fastening methods such as wood screws and in some places hidden Bastion Fasteners. You will need some standard household tools: hammer and screwdriver. A power screwdriver is recommended. Where possible, we have packaged some of the screws in separate labeled packages. To keep hardware separate after packets are open, we suggest you place each type of screw into separate containers. Note labels for screws and when they are to be used in assembly in the instructions.

B. A friend is recommended to assist with assembly as this will ease the process. Some of the parts are large and awkward to hold in place, an extra pair of hands will help.

If you have any questions regarding assembly or missing or damage parts, call our customer support number: 607-652-7321 or 888-732-7321 E-Mail at info@catskillcraftsmen.com
Customer Support hours are 7am-4pm Mon. - Fri. Eastern Time zone.



Model 1842



Model 1843 With Drop Leaf

Parts List Model 1842



D1
Drawer Front (1)
P/N DF-1842



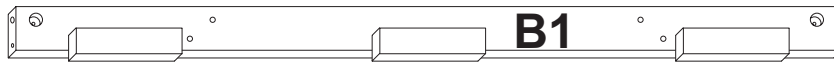
D3
Left Drawer Side (1)
P/N DS-1842/L



D4
Right Drawer Side (1)
P/N DS-1842/R



D2
Drawer Back (1)
P/N DBK-1842

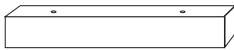


B1
Top Front Brace (1)
P/N B-38/2 1/2/TF-1842



GS
Glide Support (2)
P/N GLDSUP-1842

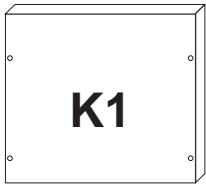
K2



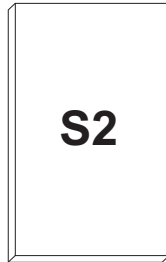
Knife Rack Side (2)
P/N KR-SIDE-1842



B2
Bottom Front Brace (1)
P/N B-38/2 1/2/BOT-1842



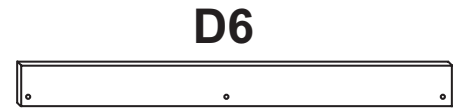
K1
Knife Rack Face (1)
P/N KR-1842



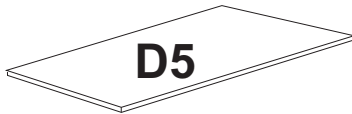
S2
Small Middle Shelf (1)
P/N SMS-1842



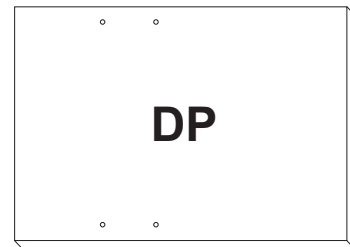
S1
Center Shelf (1)
P/N CS-1842



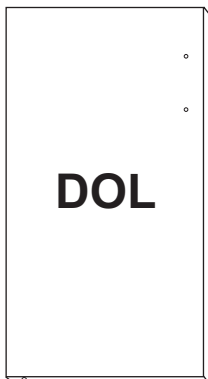
D6
Door Spacer (1)
P/N DORS/21 9/16 1842



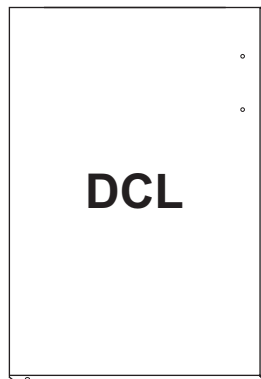
D5
Drawer Bottom (1)
P/N DBOT-1842



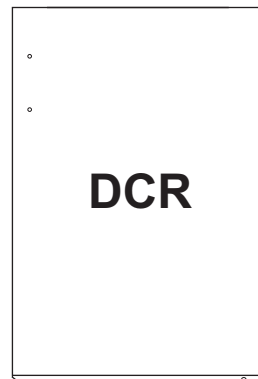
DP
Divider Panel (2)
P/N DP-1842



DOL
Left Outside Door (1)
P/N DOR-1842LO



DCL
Left Center Door (1)
P/N DOR-1842LC



DCR
Right Center Door (1)
P/N DOR-1842RC



DOR
Right Outside Door (1)
P/N DOR-1842RO

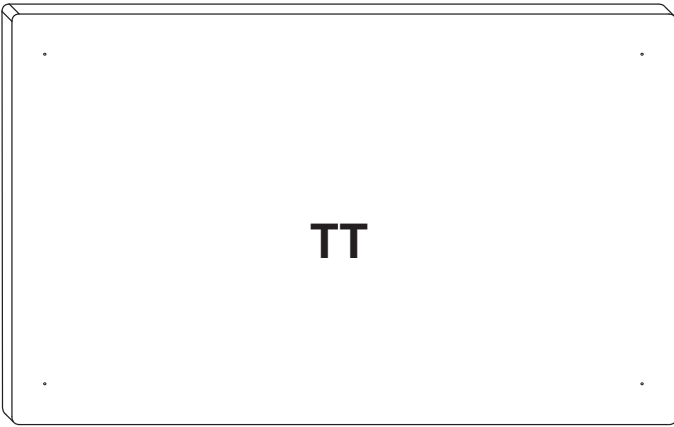
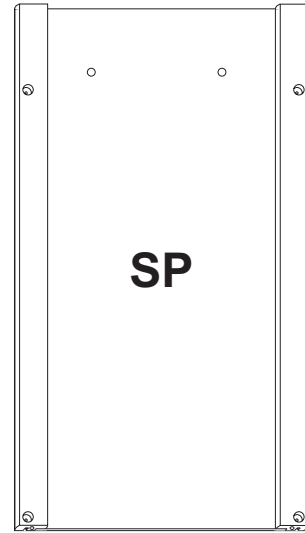
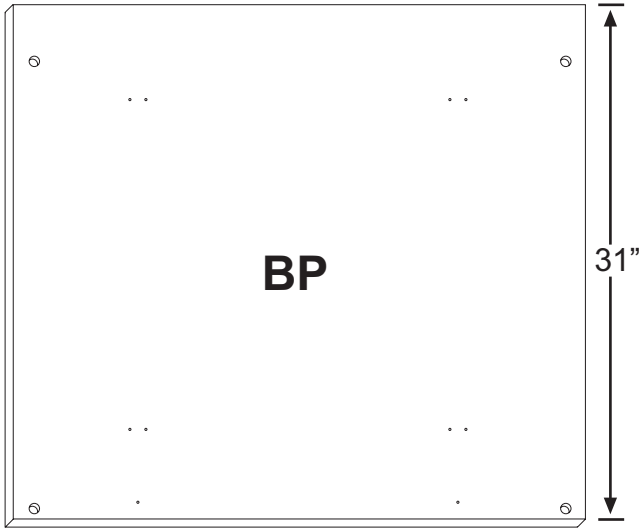


Table Top (1)
P/N TT-1842



Side Panel (2)
P/N SP/HDL-1842



Back Panel (1)
P/N BP-1842

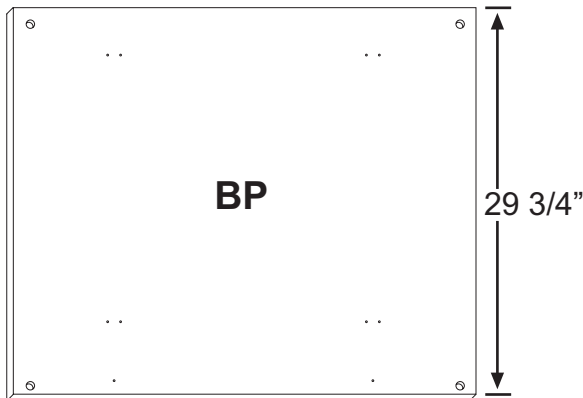


Bottom Shelf (1)
P/N BS-1842

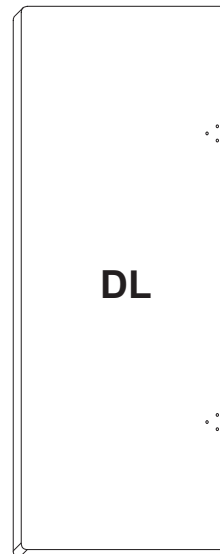
Table Top, Drawer Back, and Back Panel are Replaced With These Parts in Model 1843



Drawer Back (1)
P/N DBK-1843



Back Panel (1)
P/N BP-1843



Drop Leaf (1)
P/N DL-1843

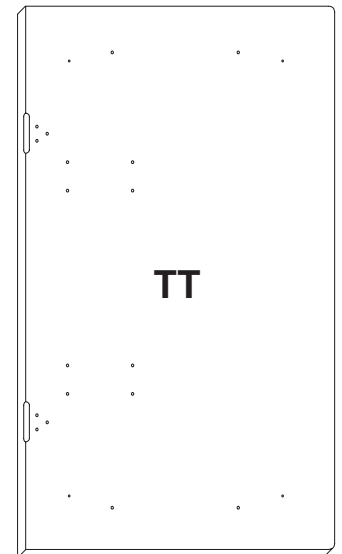


Table Top (1)
P/N TT-1843

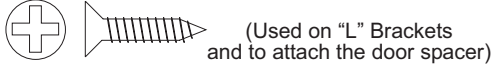
Hardware for 1842



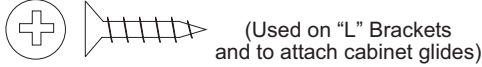
1 3/4" Phillips Flat Head Bolt (8)



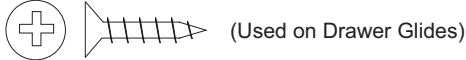
1 1/4" Phillips Flat Head #8 Screw (20)



5/8" Phillips Flat Head #8 Screw (7)



5/8" Phillips Flat Head #6 Screw (8)



5/8" Phillips Flat Head #5 Screw (4)



1/2" Phillips Flat Head #4 Screw (3)



5/8" Pan Head Screw (6)



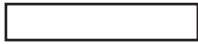
1" Truss Head Machine Screw (12)



2" Long 3/16" DIA. Steel Pin (8)



1 1/2" Long 3/16" DIA. Steel Pin (8)

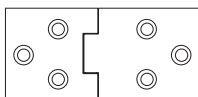


1" Long 3/16" DIA. Steel Pin (26)

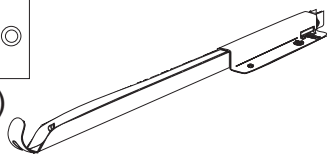


3/4" Long 3/16" DIA. Steel Pin (4)

Add Pack for 1843



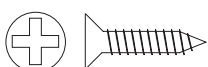
Hinge (3)



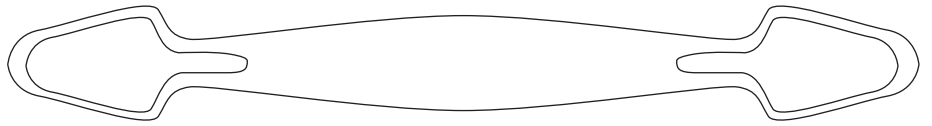
P/N Drop Leaf Support (2)



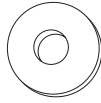
1 1/2" Phillips Flat Head #8 Screw (2)



5/8" Phillips Flat Head #8 Screw (26)



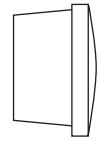
Nickel Handle (6)



3/16" Flat Washer (8)



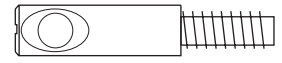
10-24 Hex Nut (8)



5/8 Wooden Disk (8)



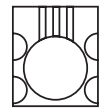
"L" Bracket (4)



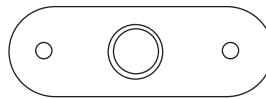
Bastion Post (2)



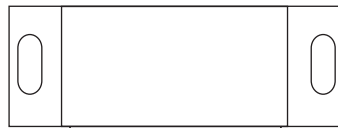
Bastion Set Screw (2)



Bastion Barrel Nut (2)



Magnet Plate (3)



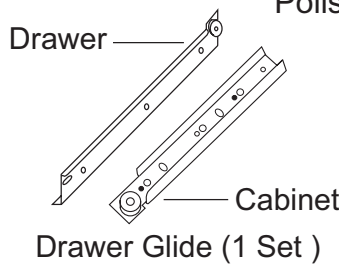
Magnet (3)



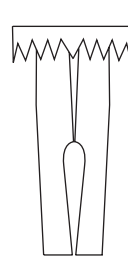
Towel Bar Post (2)



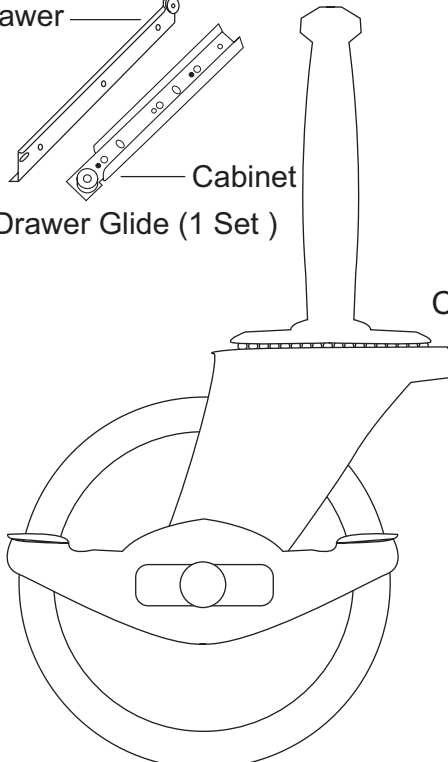
Polished Nickel Towel Bar (1)



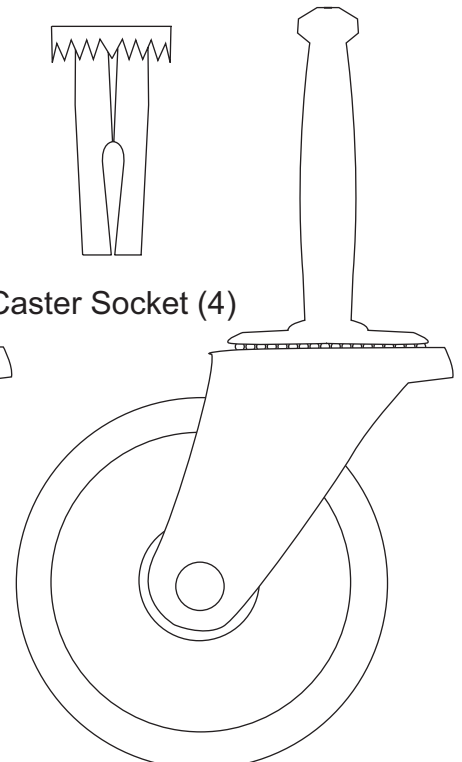
Drawer Glide (1 Set)



Caster Socket (4)



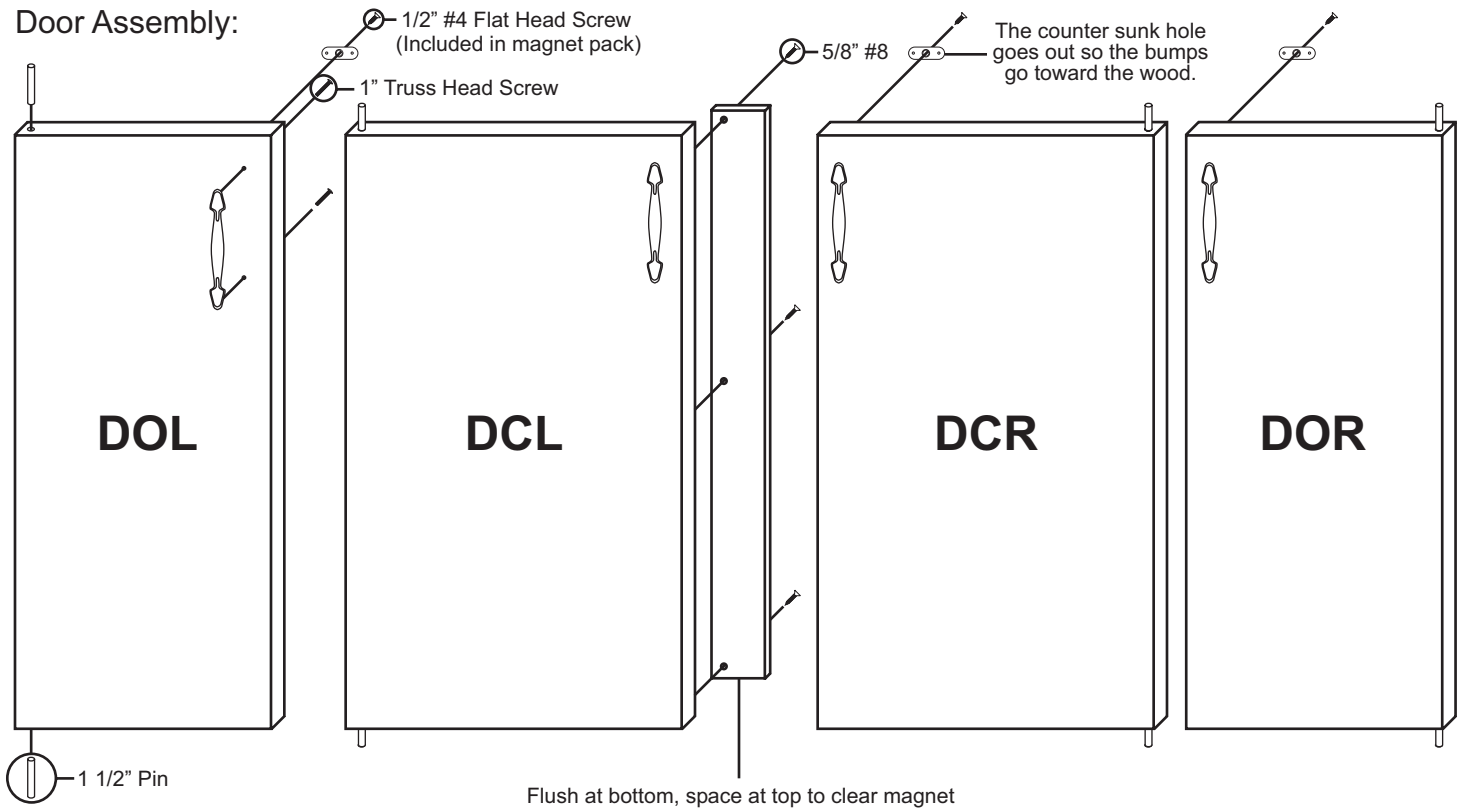
Locking Wheel Casters (2)



Wheel Casters (2)

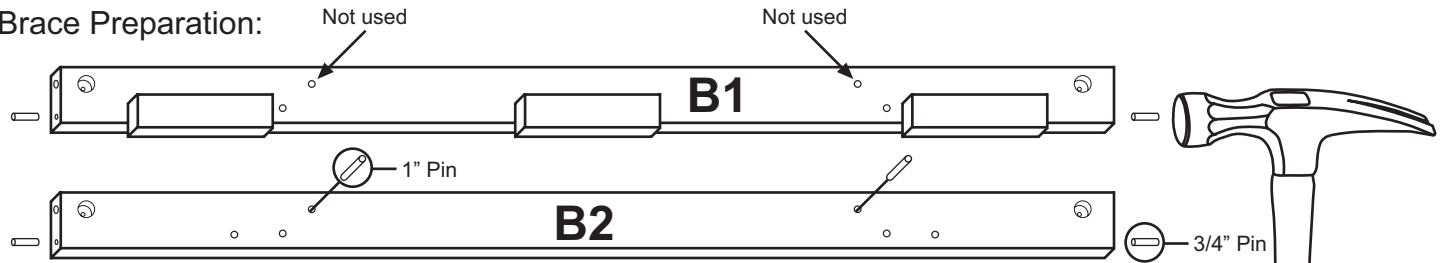
STEP 1

Door Assembly:



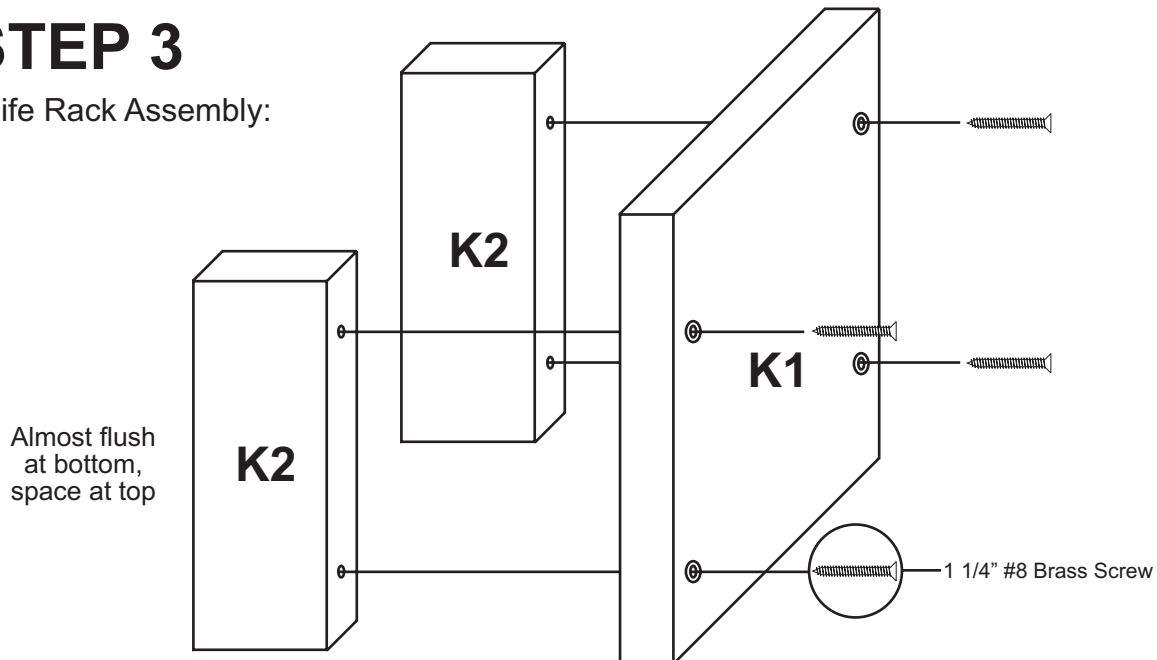
STEP 2

Brace Preparation:



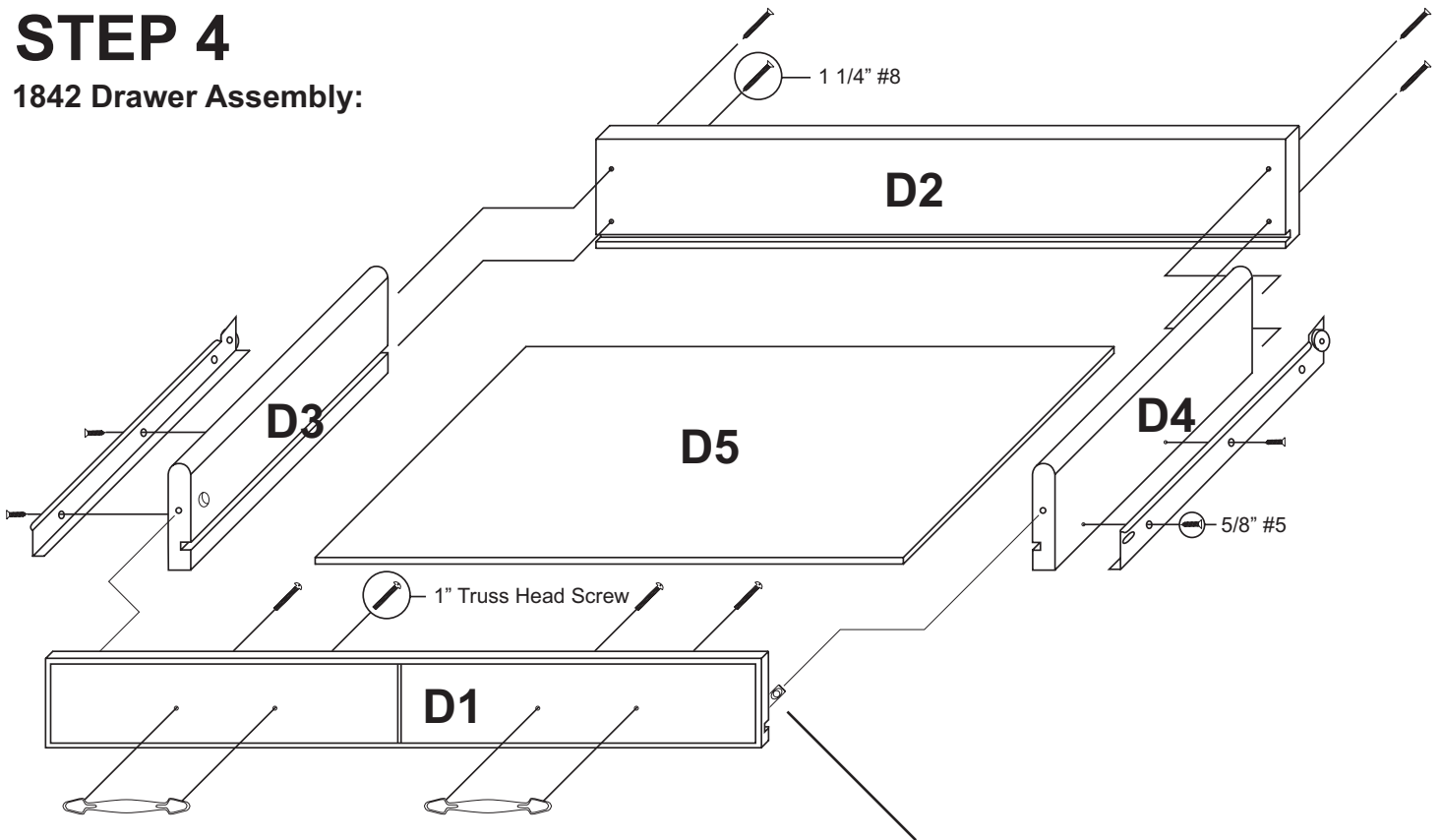
STEP 3

Knife Rack Assembly:



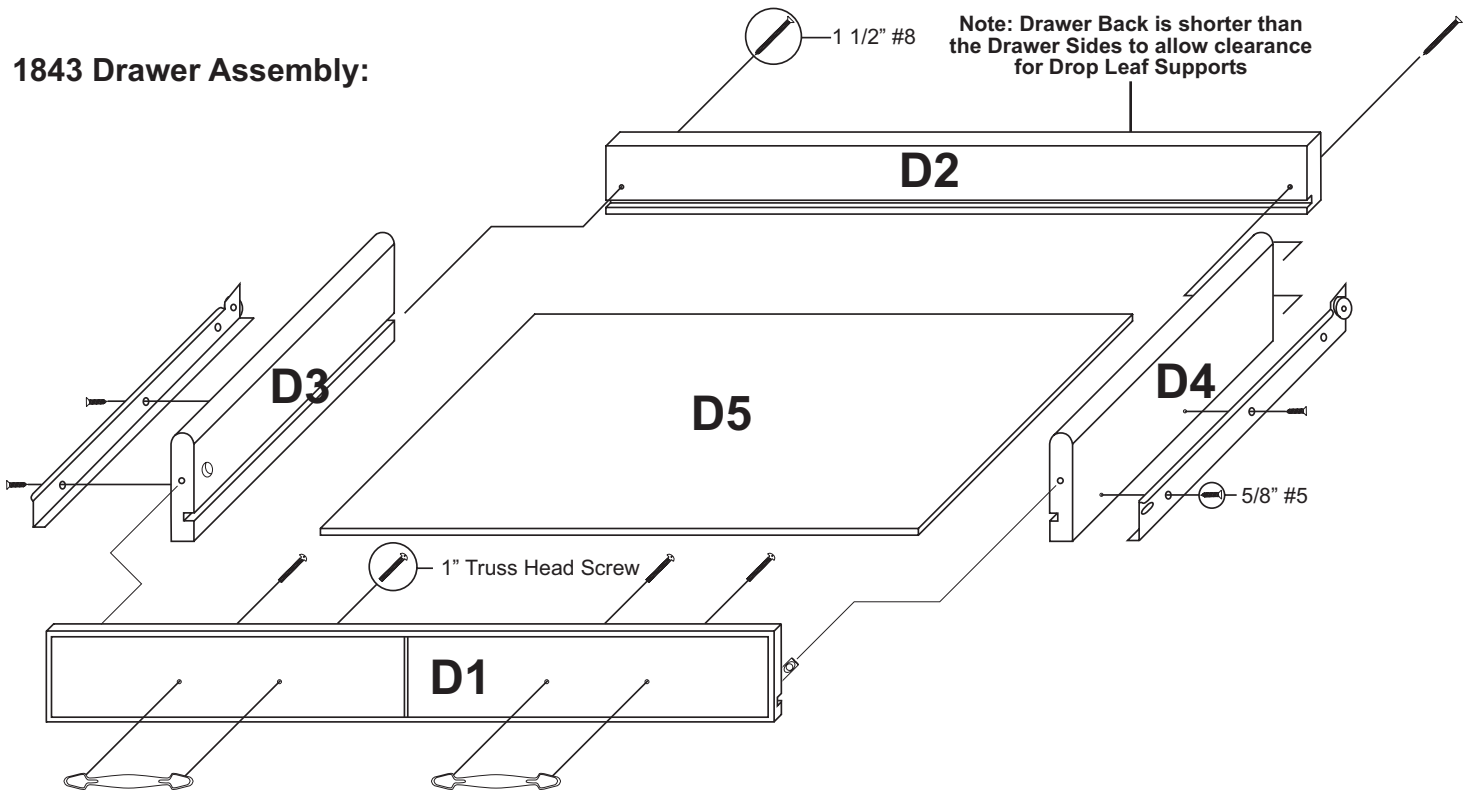
STEP 4

1842 Drawer Assembly:



See next page to learn how the bastion fastening system works.

1843 Drawer Assembly:



TIPS ON HOW THE BASTION FASTENING SYSTEM WORKS

1. The Bastion fastening system consists of a steel post (threaded on one end with a hole through the shaft on the other end); a Barrel Nut (cylindrical barrel-shaped with threaded open end & holes through the sides); and a Set Screw (Phillips slot on one end, pointed on the other)

2. To attach Posts: A) Dip threads of Post in vegetable oil. B) Align threaded end of Post with hole in wood, tap on slotted end with hard hammer until threads enter, then tighten down using a flat head screw driver or the provided allen wrench (See the Illus. Bas. 3 for alternate seating methods). **DO NOT TRY TO HAMMER THE POST ALL THE WAY IN AS IT WILL STRIP THE POST HOLE.** C) When solid shaft of Post hits wood, back out approximately 1/2 turn until the hole in the posts is properly aligned as per step by step directions. For example: the holes in the posts on the inside of the drawer front will be parallel with the long length of the drawer front when properly seated.

3. A) Place a Barrel Nut into the nut access hole, so that the threads in the nut face out. The small notches on either side of the nut opening, indicate the location of the holes through the sides of the nut. B) Insert the posts through the end of the braces (or drawer sides); through the holes in the sides of the nut. When properly aligned, you will see the hole in the post inside the barrel nut. Post hole should be slightly off-center toward the wood.

4. Insert the Set Screw into the threaded end of the nut and tighten down. The tip of the Set Screw will seek the center of the hole in the Post as it is tightened down, forcing the Nut toward the main shaft of the Post. This is what tightens the wooden parts together. Set screws should thread easily – **DON'T CROSS THREAD!** If Set Screw doesn't thread easily, check position of the hole in Post.

5. If the wooden parts are not tight against each other, the Post needs to be screwed a half turn at a time until wood joints are tight.

Illustration Bas. 1

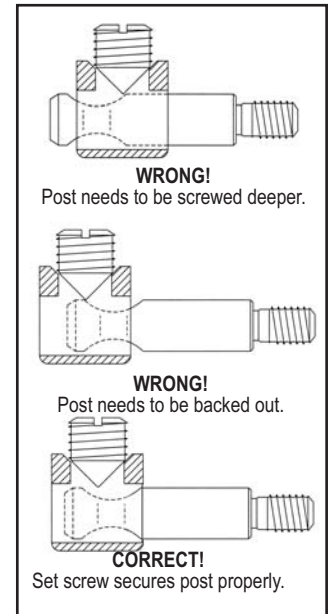
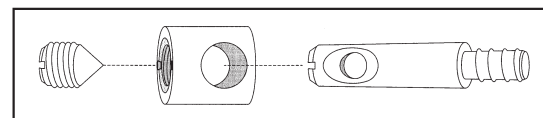


Illustration Bas. 2



Step 2

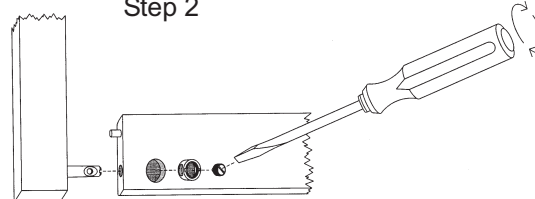
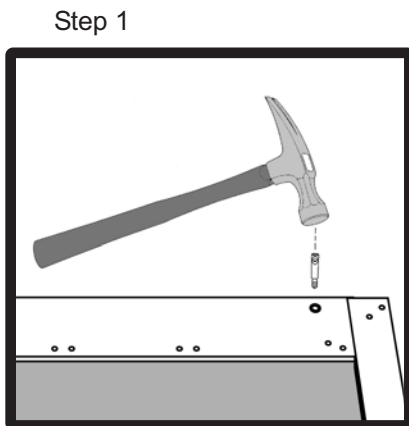
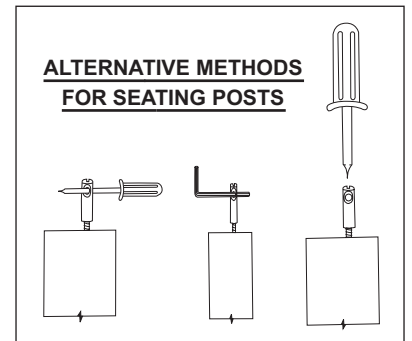


Illustration Bas. 3



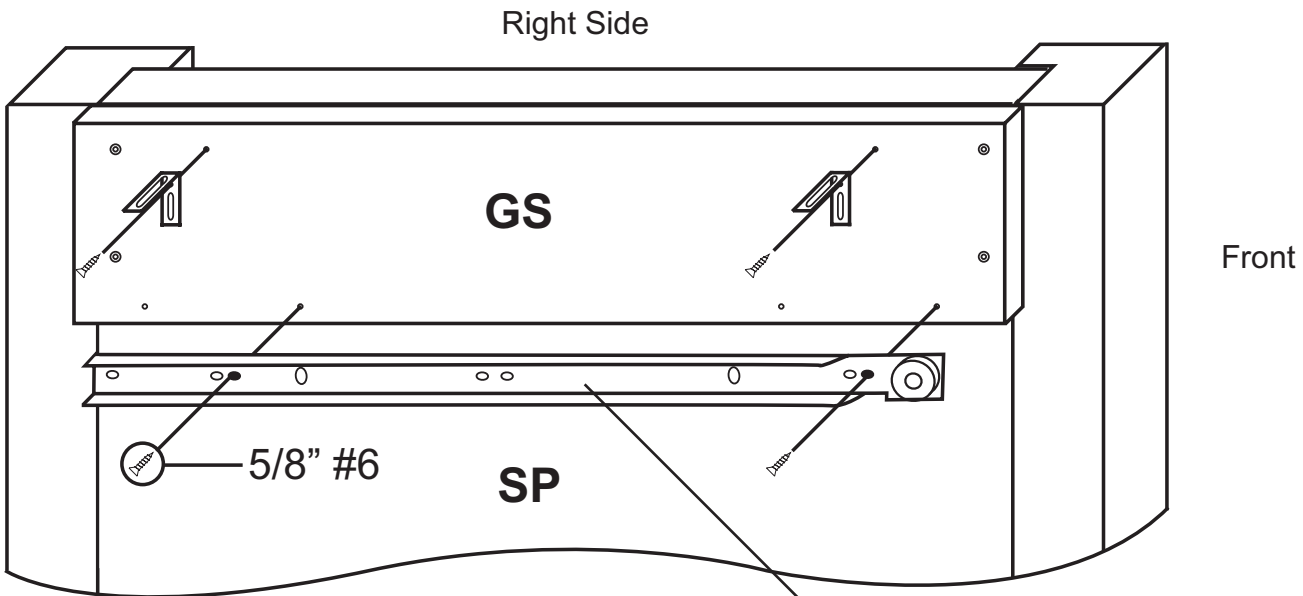
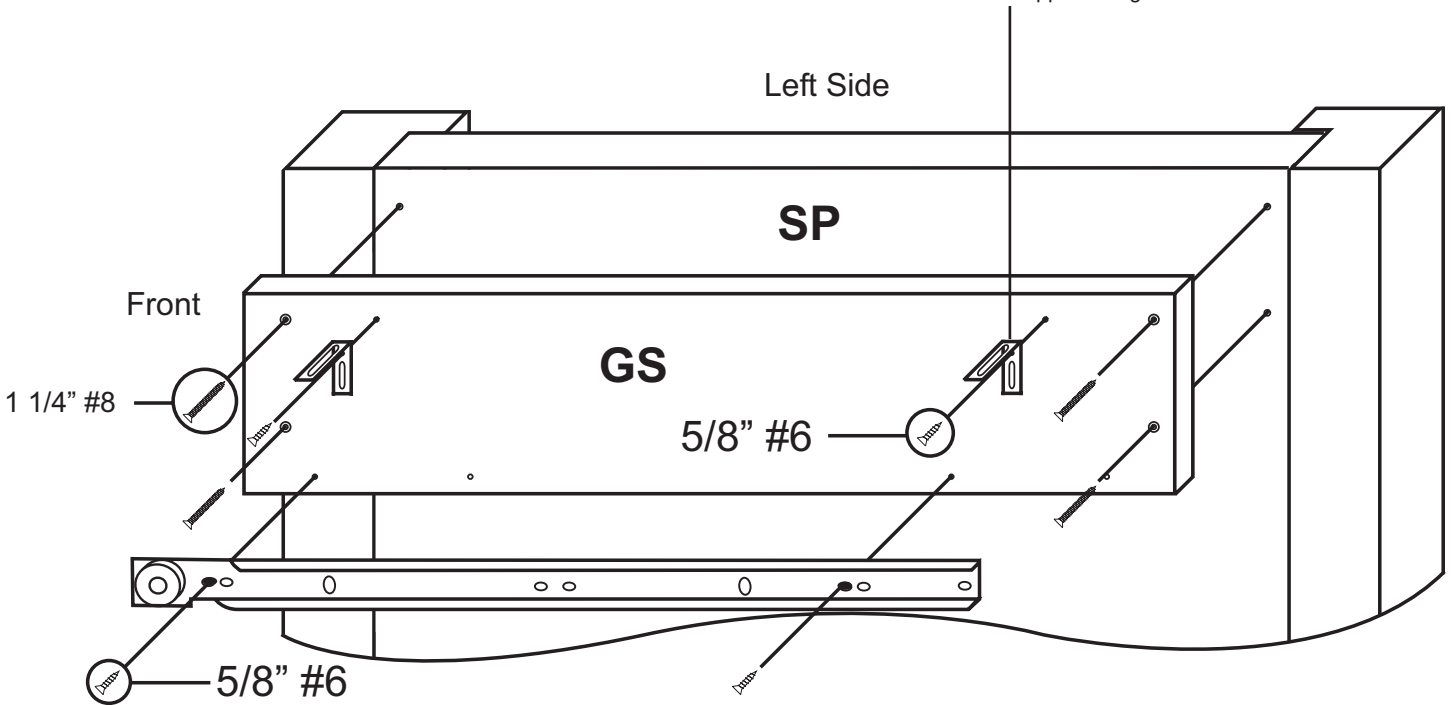
If you have any questions regarding assembly or missing or damage parts, call our customer support number:

607-652-7321 or 888-732-7321 E-Mail at info@catskillcraftsmen.com
Customer Support hours are 7am-4pm Mon. - Fri. Eastern Time zone.

STEP 5

Glide Support Assembly:

The "L" brackets are attached to the Glide Support using the small hole in the "L" bracket

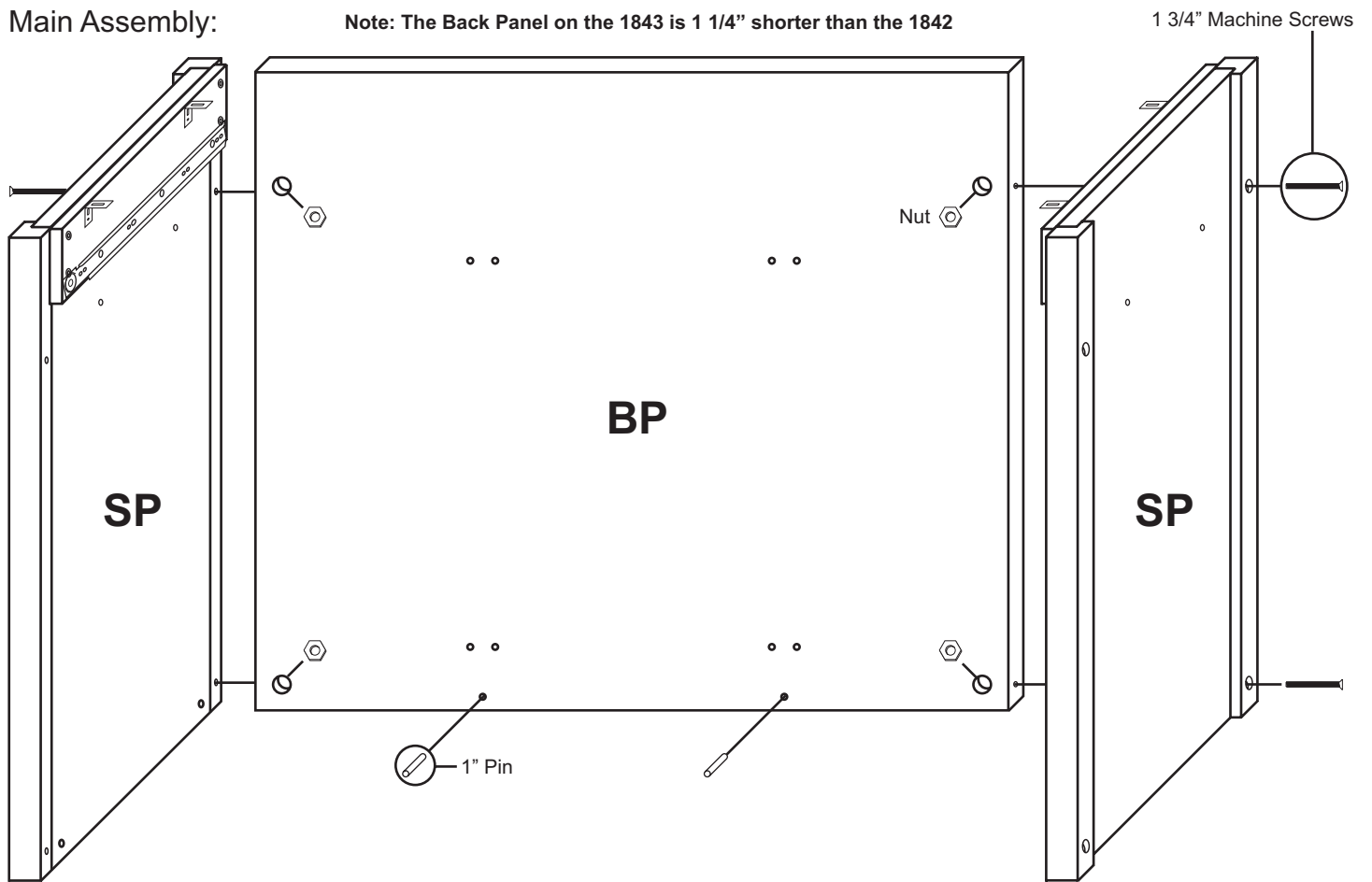


The glides look almost alike; however, they are stamped CR for cabinet right and CL for cabinet left.

STEP 6

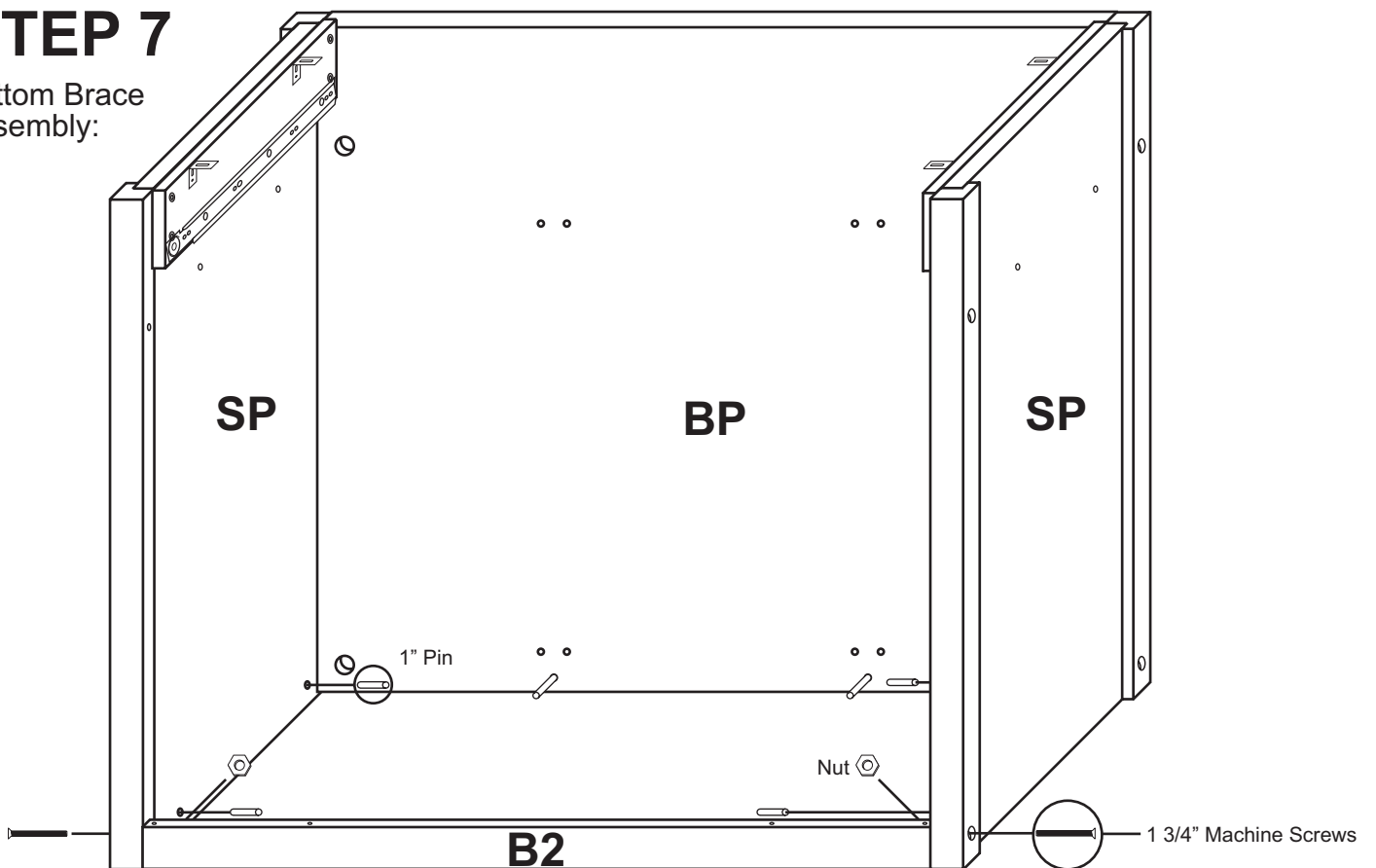
Main Assembly:

Note: The Back Panel on the 1843 is 1 1/4" shorter than the 1842



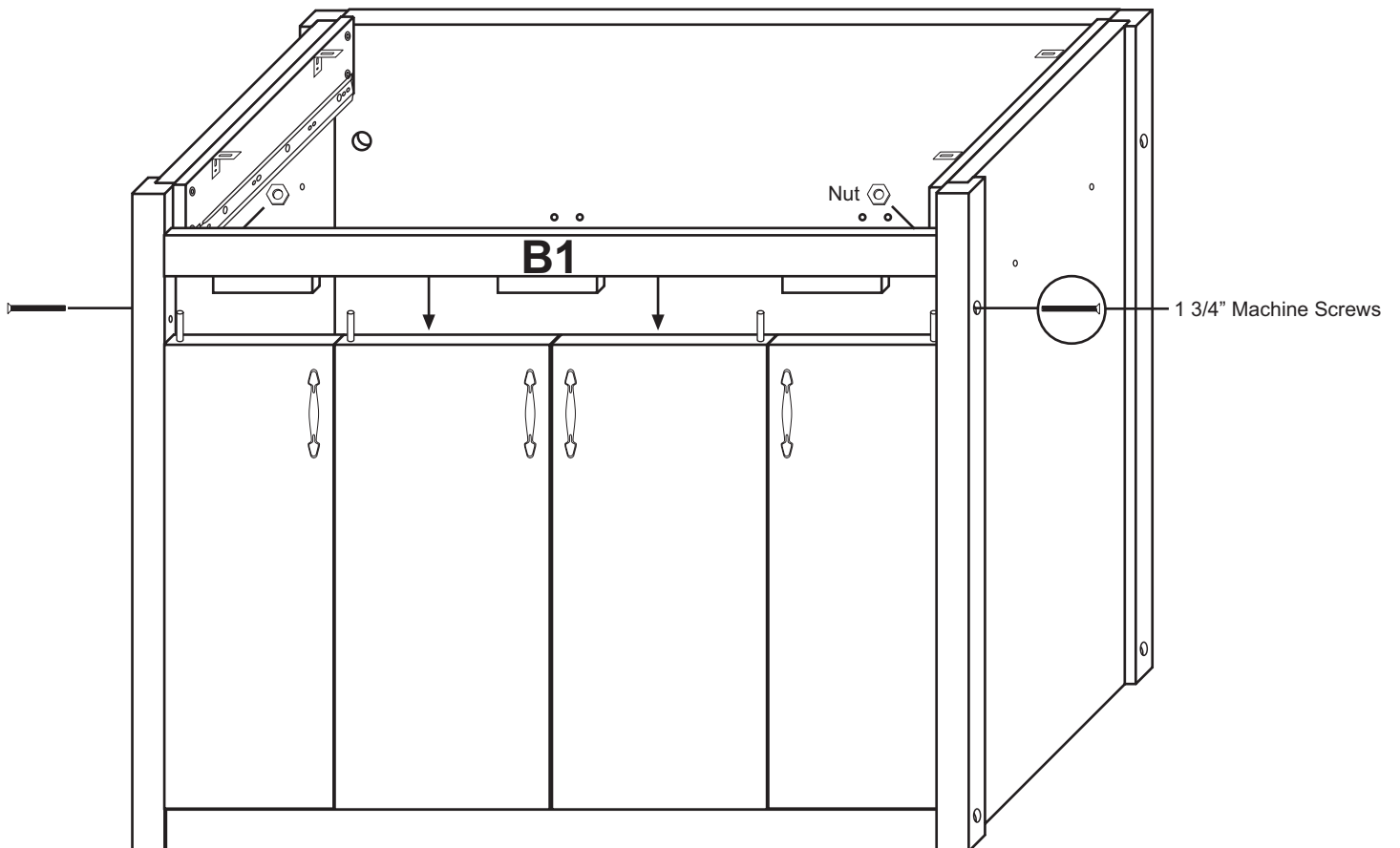
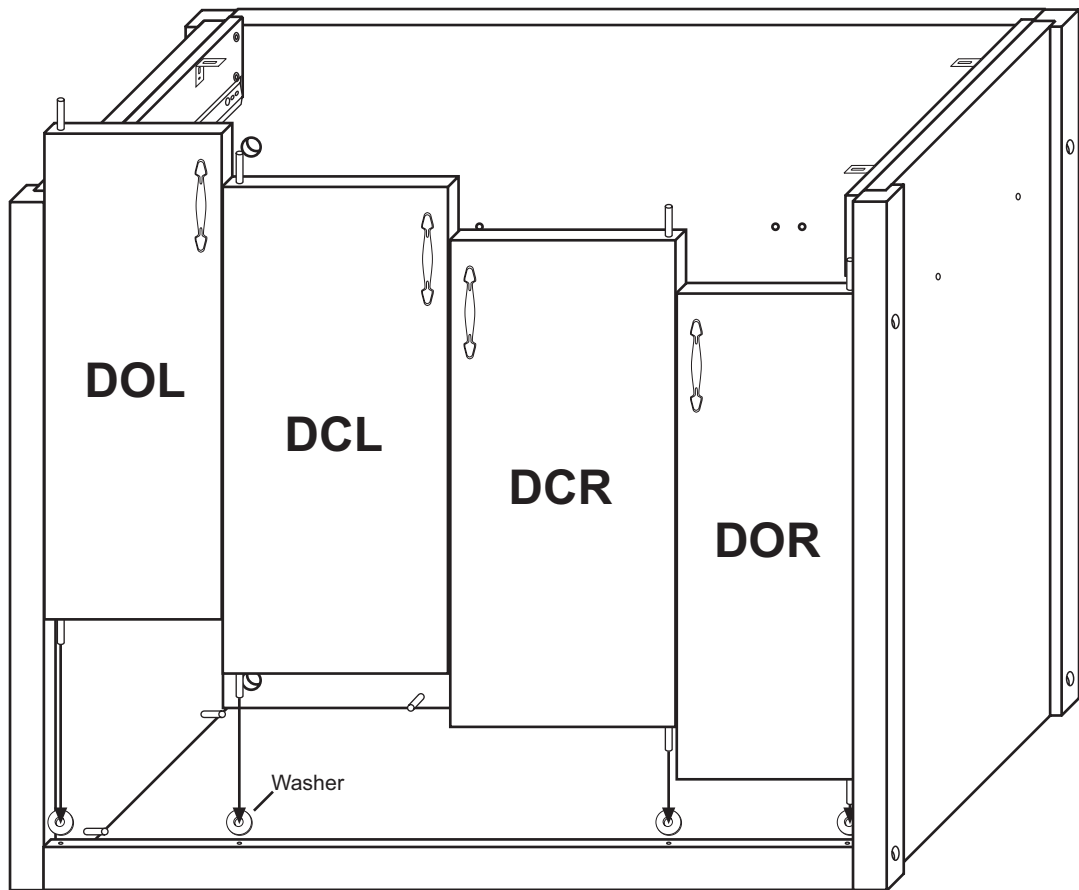
STEP 7

Bottom Brace Assembly:

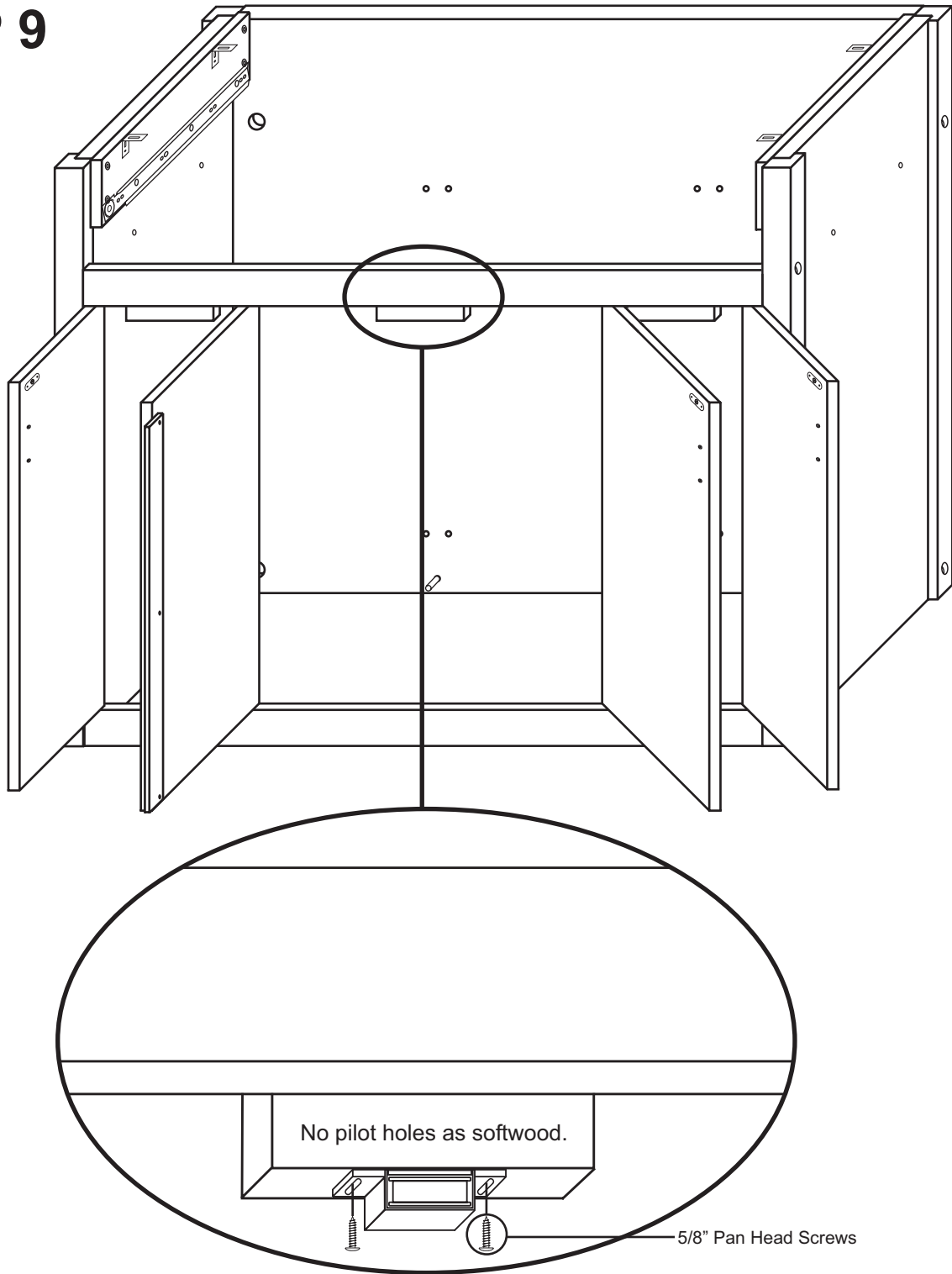


STEP 8

Door Assembly:

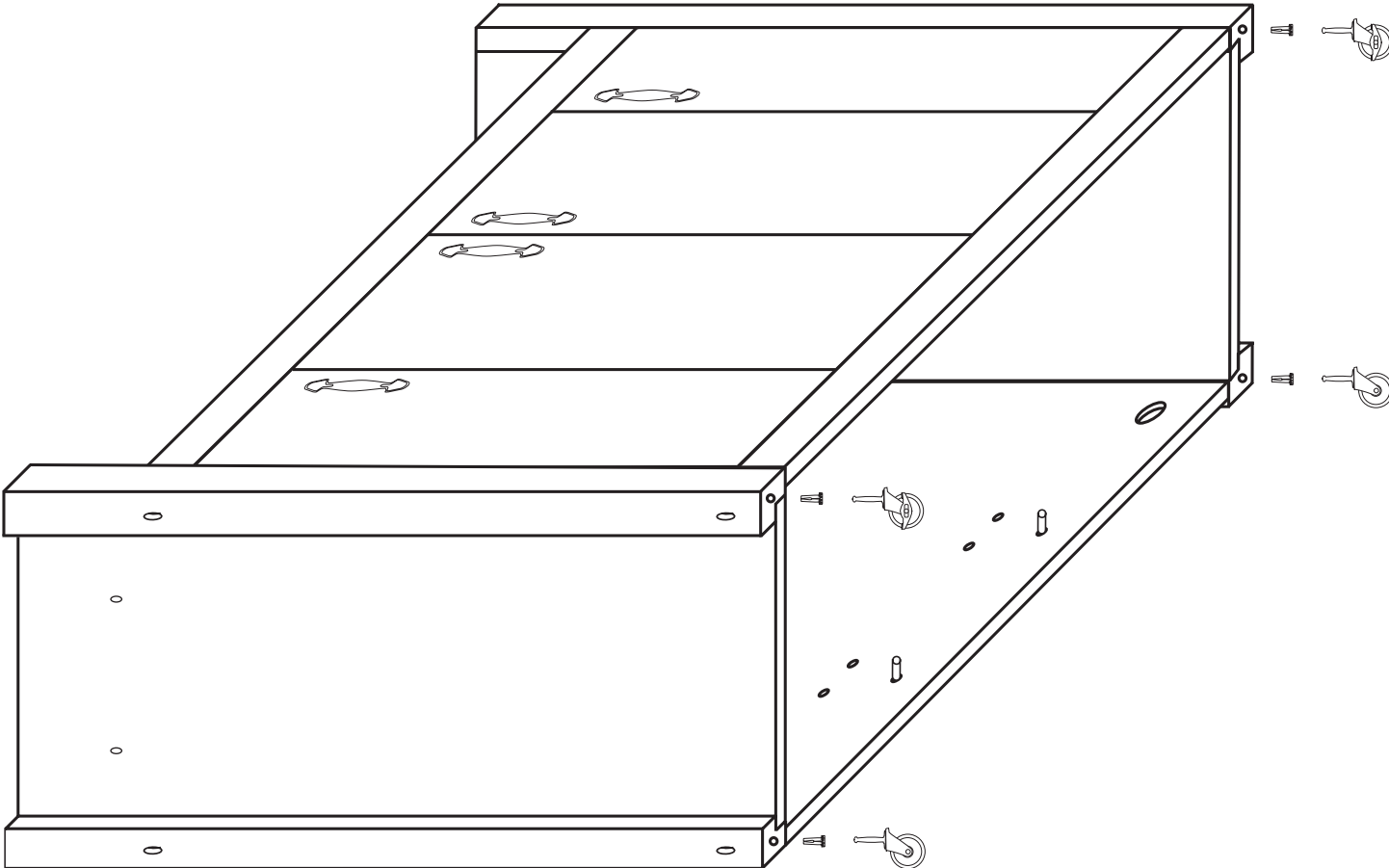
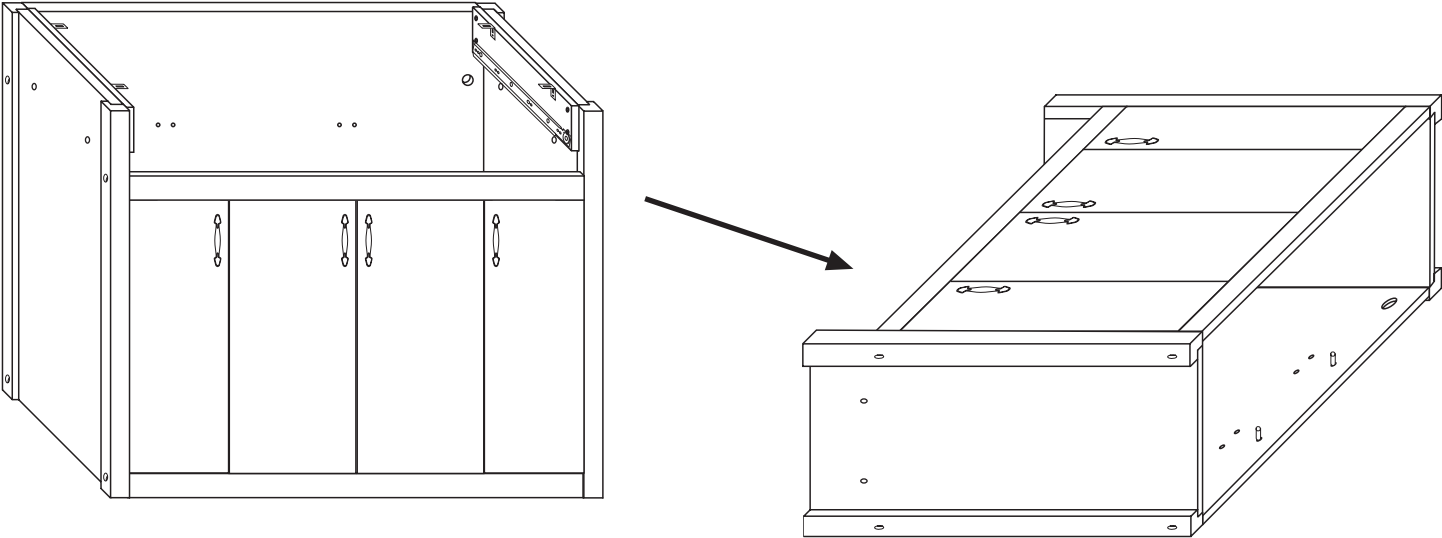


STEP 9

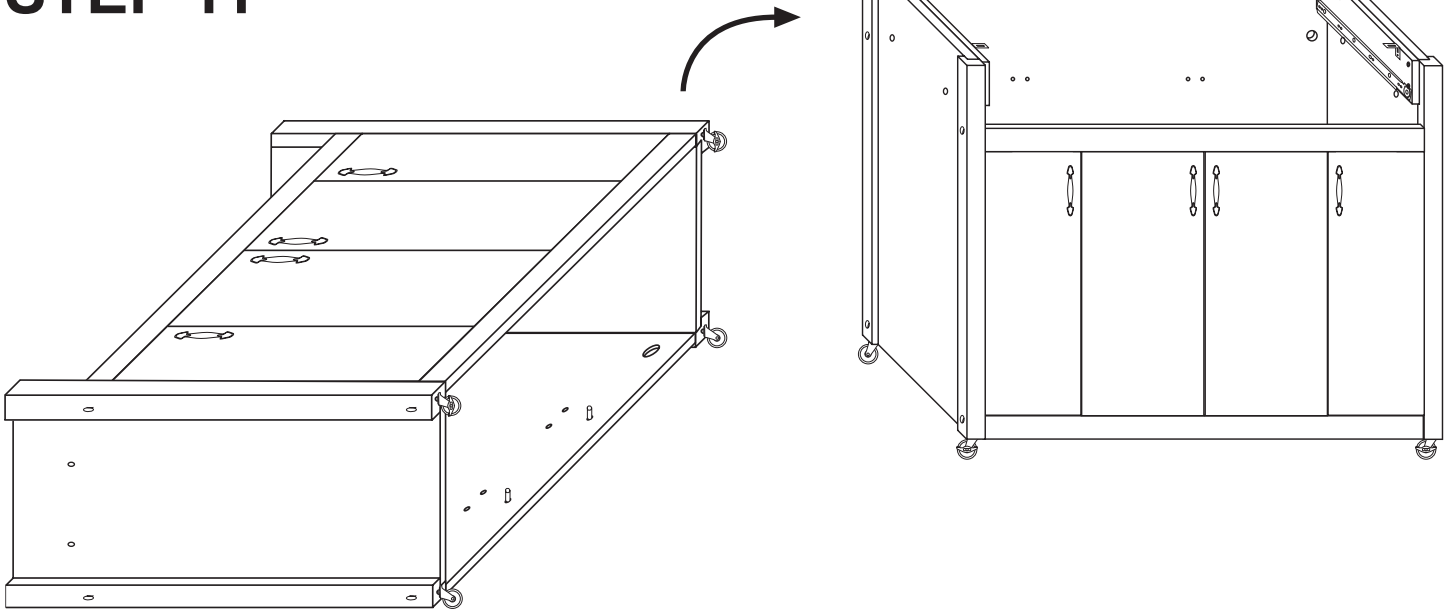


- A. Stick magnet to magnet plate on a door.
- B. With all other doors open, close the door. The magnet should be positioned over the wooden block on the bottom of the top front brace. Hold the magnet in place with your thumb, and open the door. The magnet will be in the correct position on the block.
- C. Secure magnet with the two pan head screws in the magnet packet. Center screws in the slot in the magnet . This will allow adjustment later, if needed.
- D. Repeat these steps for all the doors, except the door with the door spacer.

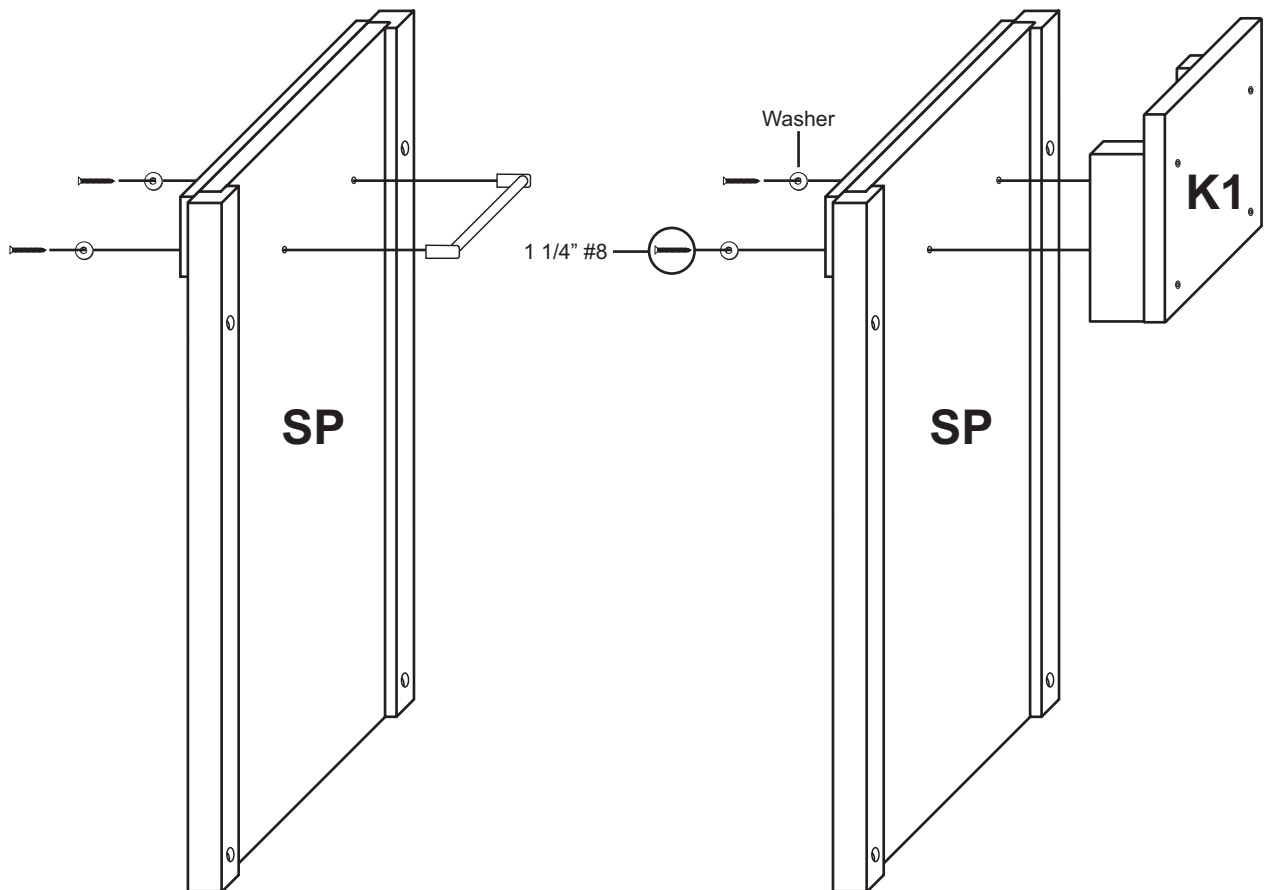
STEP 10



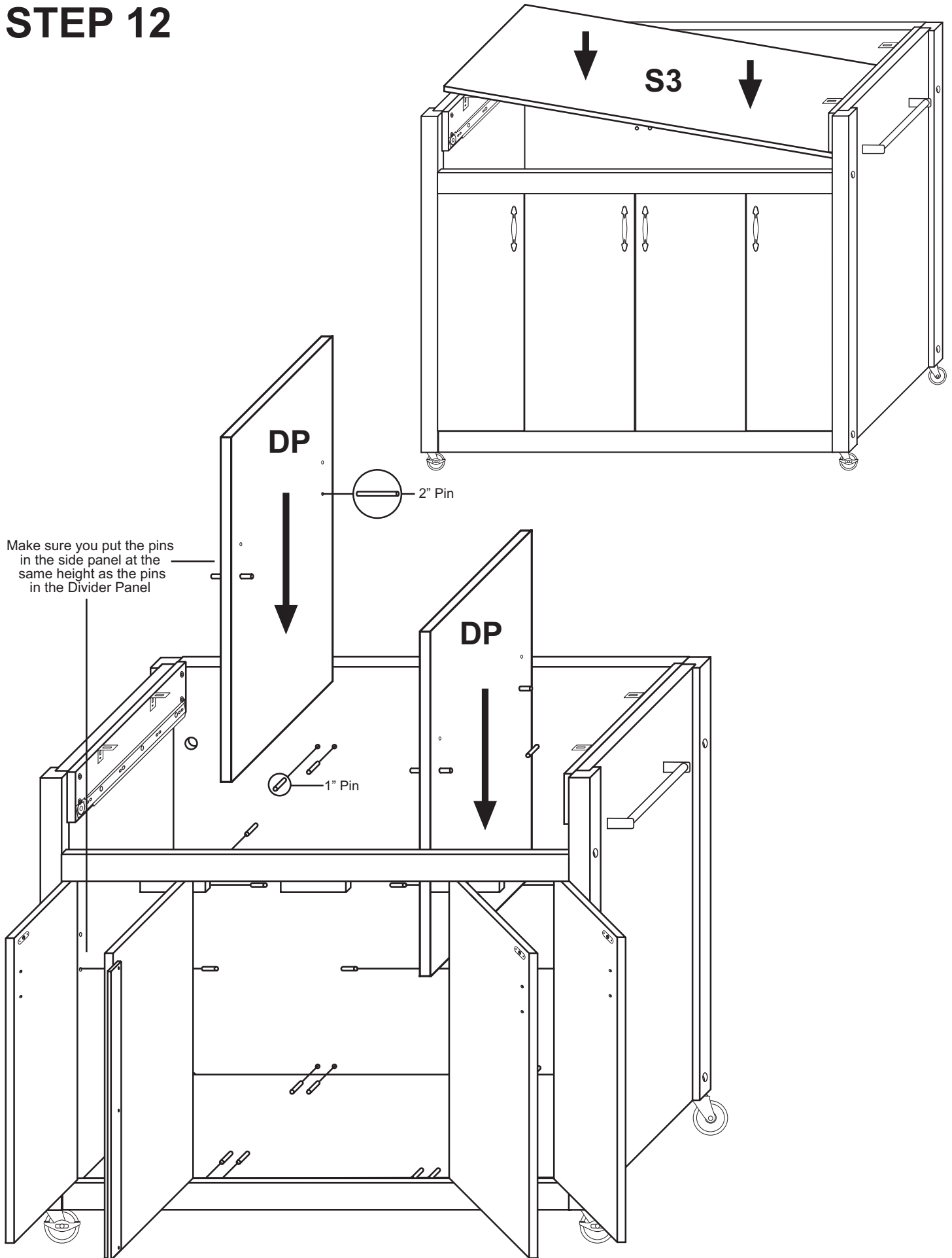
STEP 11



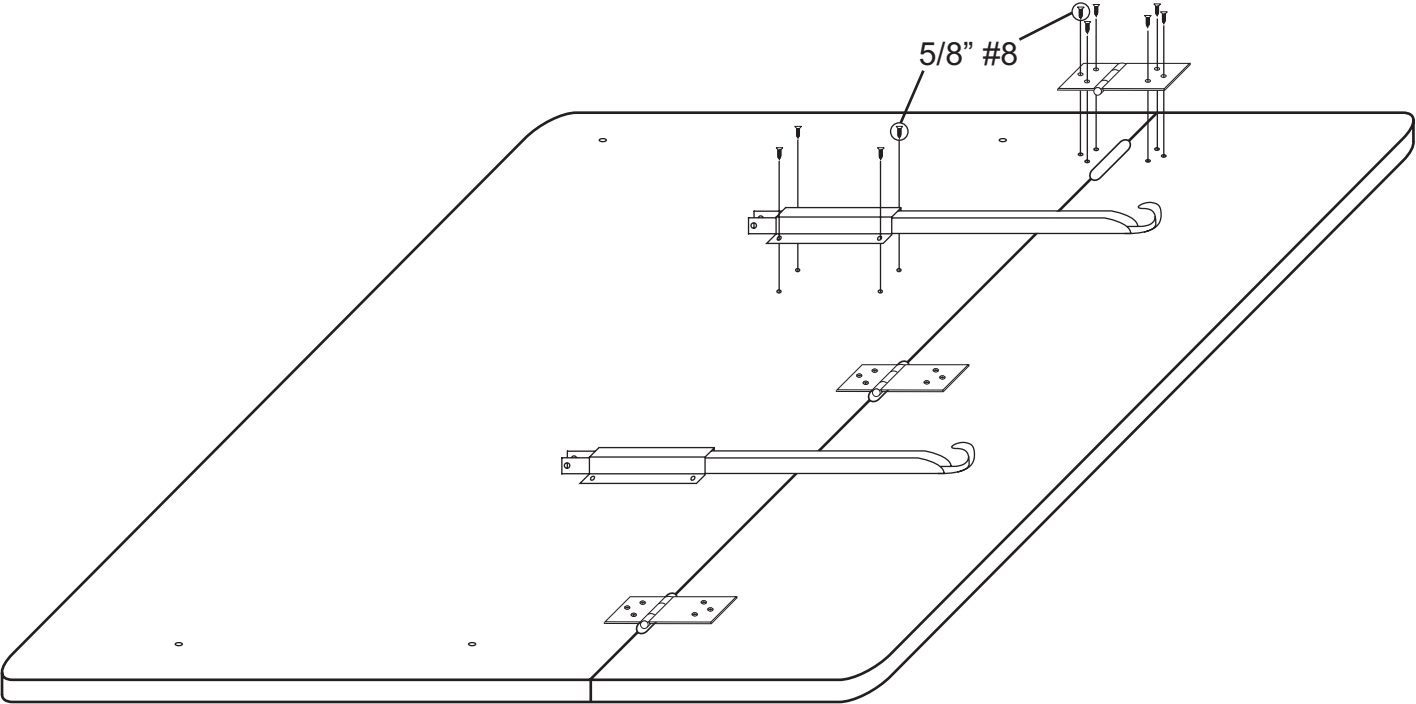
Decide which side to put the knife rack on then put the towel bar on the other side.



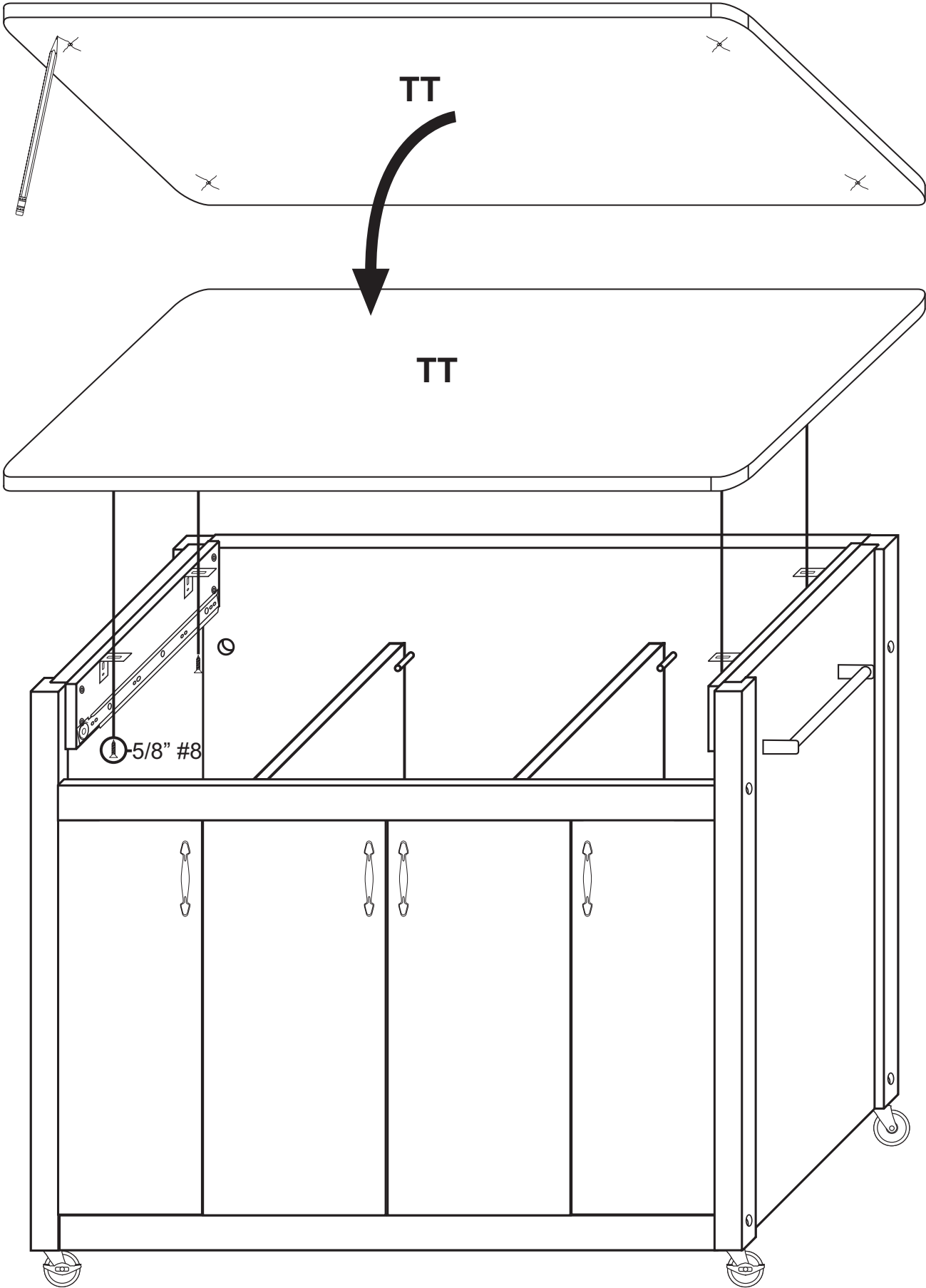
STEP 12



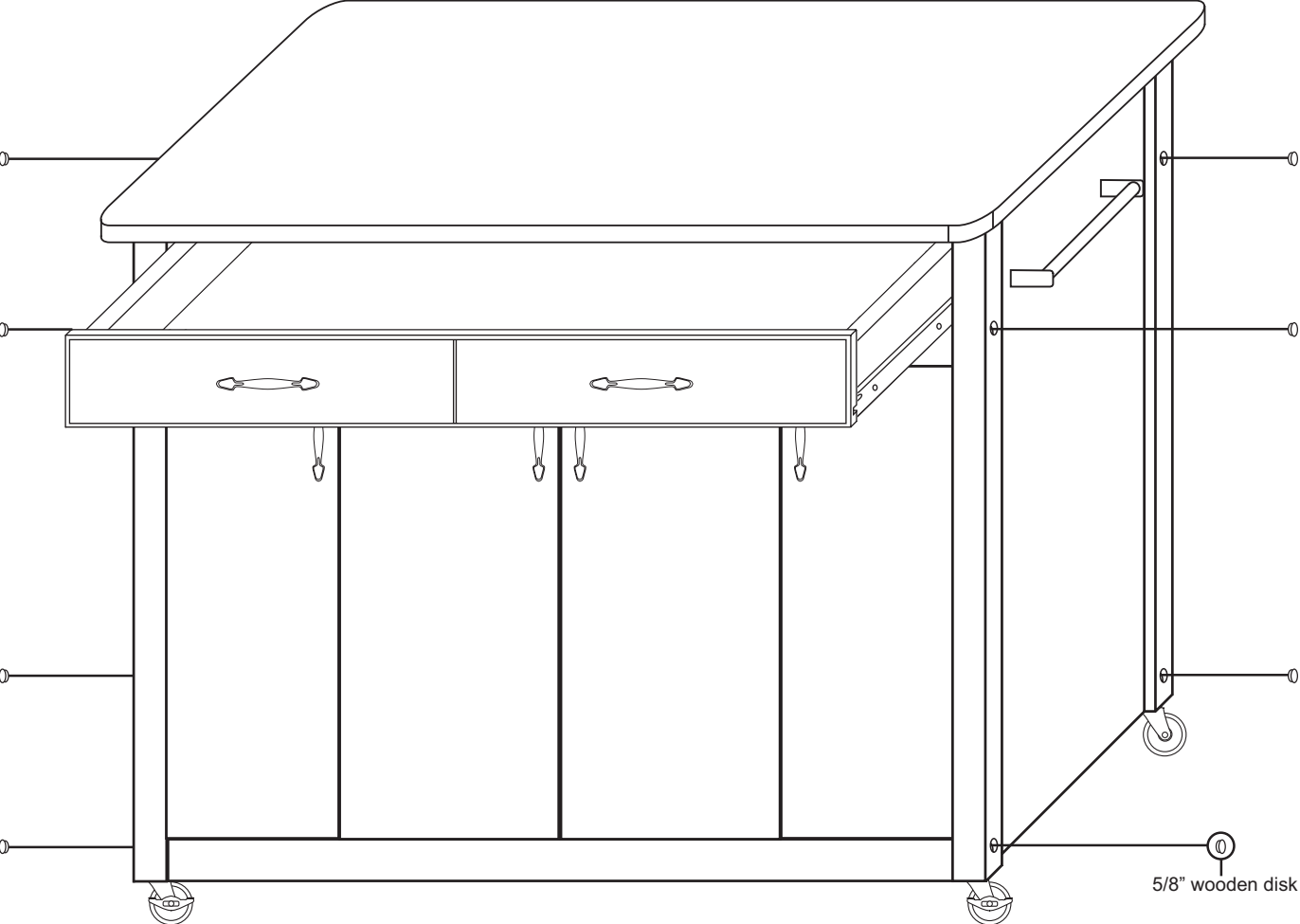
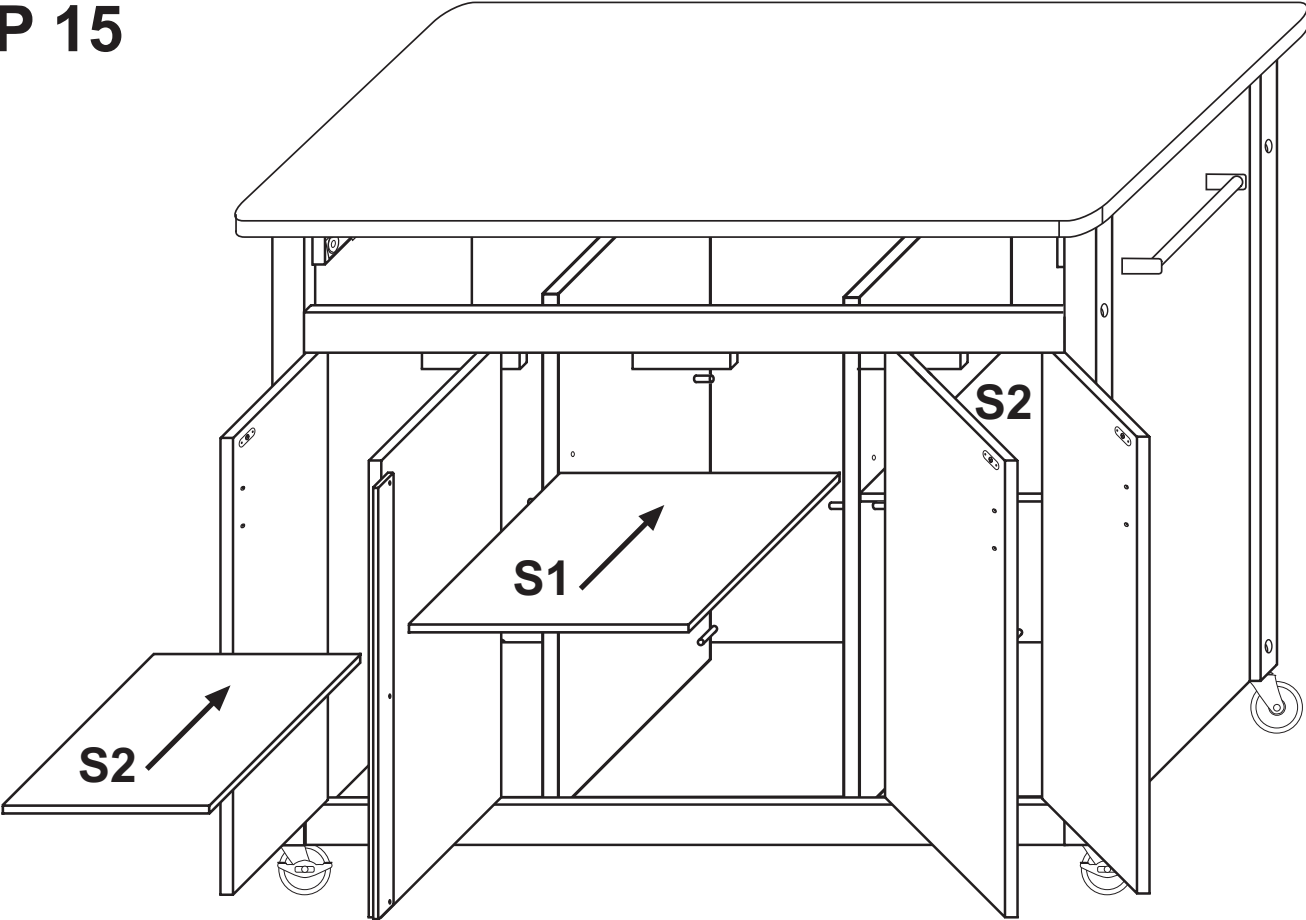
STEP 13 For Model 1843 ONLY!



STEP 14



STEP 15





For continued beauty and long life of your Catskill Craftsmen cart, we recommend Catskill Craftsmen's Butcher Block Oil.

If you would like to purchase Butcher Block Oil directly from Catskill Craftsmen's factory, we offer a reduced price. For one eight ounce (8 fl. oz.) bottle, which is sufficient for two applications, simply send \$5.95 along with the completed coupon to the address below.



Catskill Craftsmen, Inc.
15 West End Ave.
Stamford, NY 12167-1296

BUTCHER BLOCK OIL COUPON

Please send me _____ # of bottle(s) of the
Catskill Craftsmen Butcher Block Oil at \$5.95.

My Check or Money Order is enclosed for a
total of \$_____.

Item Code: 1842/1843

NAME _____

ADDRESS _____

CITY _____

STATE _____ ZIP _____

Please make checks payable to: Catskill Craftsmen Inc.
15 West End Ave. Stamford, NY 12167-1296