



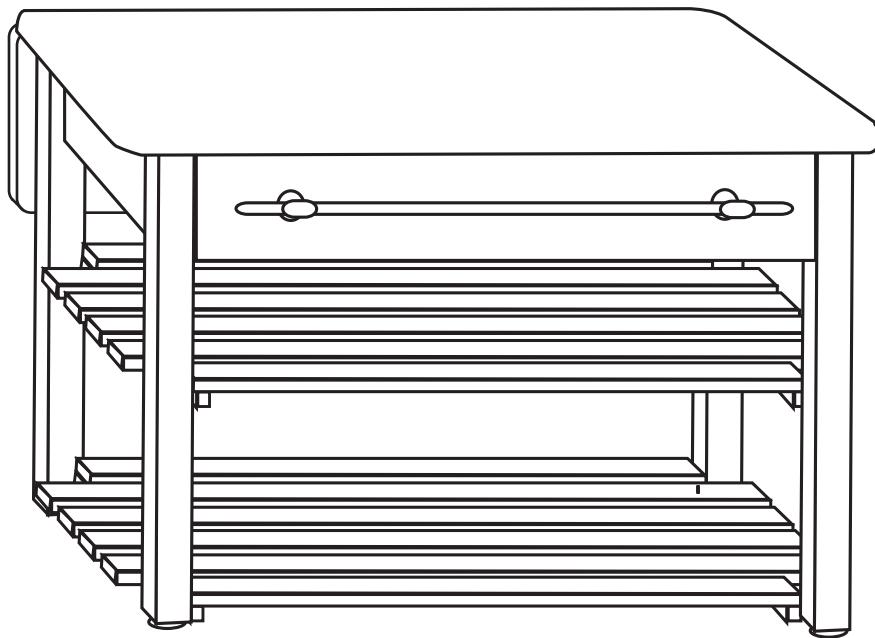
# CATSKILL

C R A F T S M E N , I N C .

## **Assembly Instructions**

### **Model 14485**

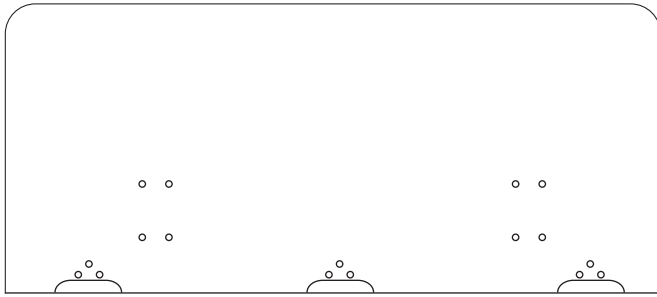
- A. Assembly uses the Bastion System; a simple yet rugged compression fastening system.
- B. This unit is made of solid North American hardwood and has a factory applied oil finish. See the enclosed booklet for care instructions.
- C. Directions (left/right, front/back) are given as facing the front of an assembled unit.



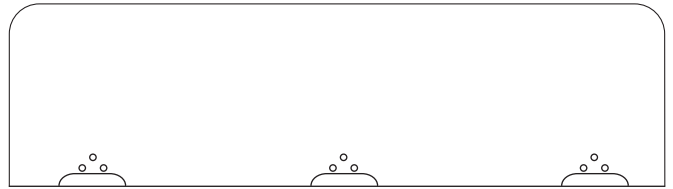
**Model 14485**

# Model 14485

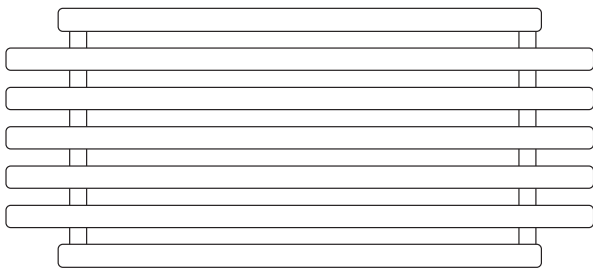
## Parts List



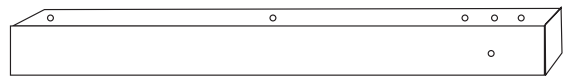
P/N: TT14485  
(1) Table Top 46" x 20" x 1 1/2"



P/N: DL14485  
(1) Drop Leaf 46" x 12" x 1 1/2"



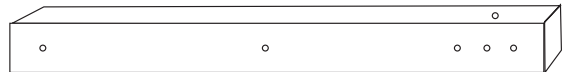
P/N: SLS1448B  
(2) Slated Shelf 43-3/4" x 18" x 1-3/4"



P/N: FL/BRleg14485  
(2) Front Left/Back Right Legs  
33-1/2" x 2-3/16" x 2-3/16"



P/N: DF1448B  
(1) Drawer Front 39-3/8" x 5-3/8" x 3/4"



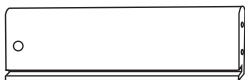
P/N: FR/BLleg14485  
(2) Front Right/Back Left Legs  
33-1/2" x 2-3/16" x 2-3/16"



P/N: DBK14485  
(1) Drawer Back 38-3/8" x 4-1/4" x 3/4"



P/N: TBK14485  
(1) Top Back Brace 39-1/2" x 4 1/4" x 3/4"



P/N: DSL1448B  
(1) Drawer Side Left  
14" x 4-1/2" x 3/4"



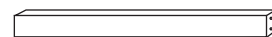
P/N: DSR1448B  
(1) Drawer Side Right  
14" x 4-1/2" x 3/4"



P/N: DB1448B  
(1) Drawer Bottom 37-5/8" x 15-5/8" x 5.2mm



P/N: TSB1448B  
(2) Top Side Brace 14-1/2" x 5-1/2" x 3/4"



P/N: GSB1448B  
(2) Glide Support Brace  
14-1/2" x 2" x 3/4"

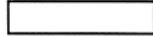
# Model 14485

## Parts List

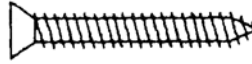
### Continued



P/N: L-bracket1448B  
(4) L-Brackets



P/N PIN 3/4" (12)  
3/4" LONG 3/16" DIAMETER STEEL PIN



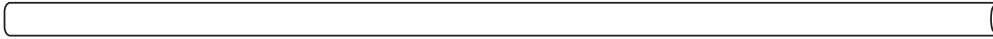
P/N SKRU 1 1/4 #8 (14)  
1 1/4" PHILLIPS #8 WOOD SCREW



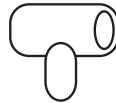
P/N: SKRU 5/8 #8 (34)  
5/8 #8 WOOD SCREW



P/N: SKRU 7/16 panhead (8)  
7/16 #6 PANHEAD SCREW



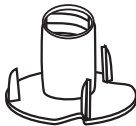
P/N: Pipe1448B  
(1) Nickel Plated Towel Bar Handle  
32" x 5/8"



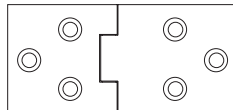
P/N: Pipe Holder 1448B  
(2) Pipe Holder



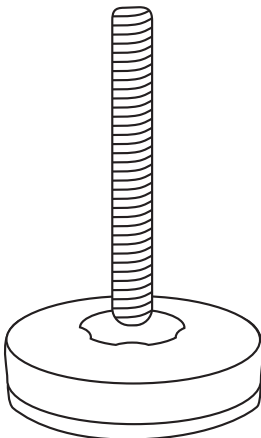
P/N: EndCap1448B  
(2) Pipe End Cap  
5/8"



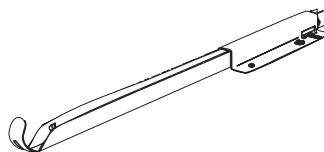
P/N: T-Nut1448  
(4) T-Nut



Hinge (3)



P/N: Leveler1448  
(4) 7/8 Leveler

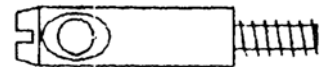


Drop Leaf Support (2)

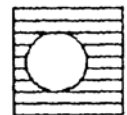
#### BASTION HARDWARE SET



P/N B-Set Screw (10)  
SET SCREW



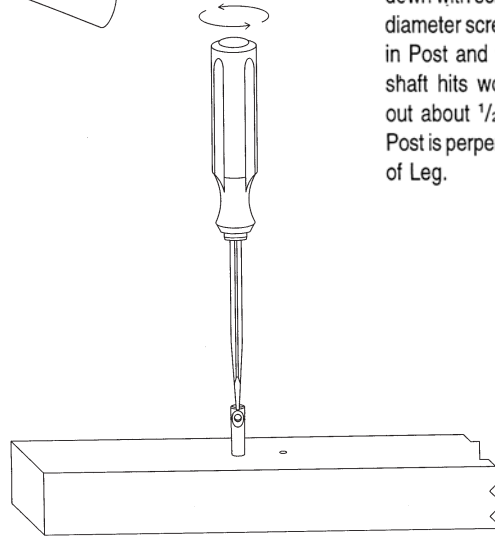
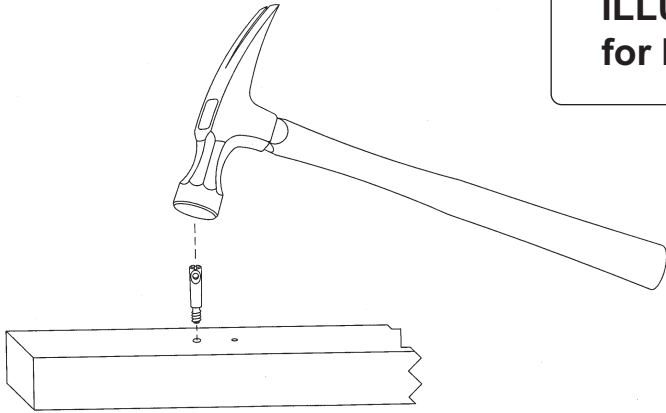
P/N B-Post (10)  
BASTION POST



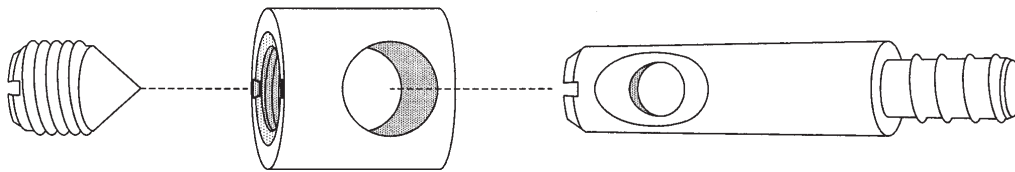
P/N B-NUT (10)  
BARREL NUT

# INSTRUCTIONS FOR BASTIONS

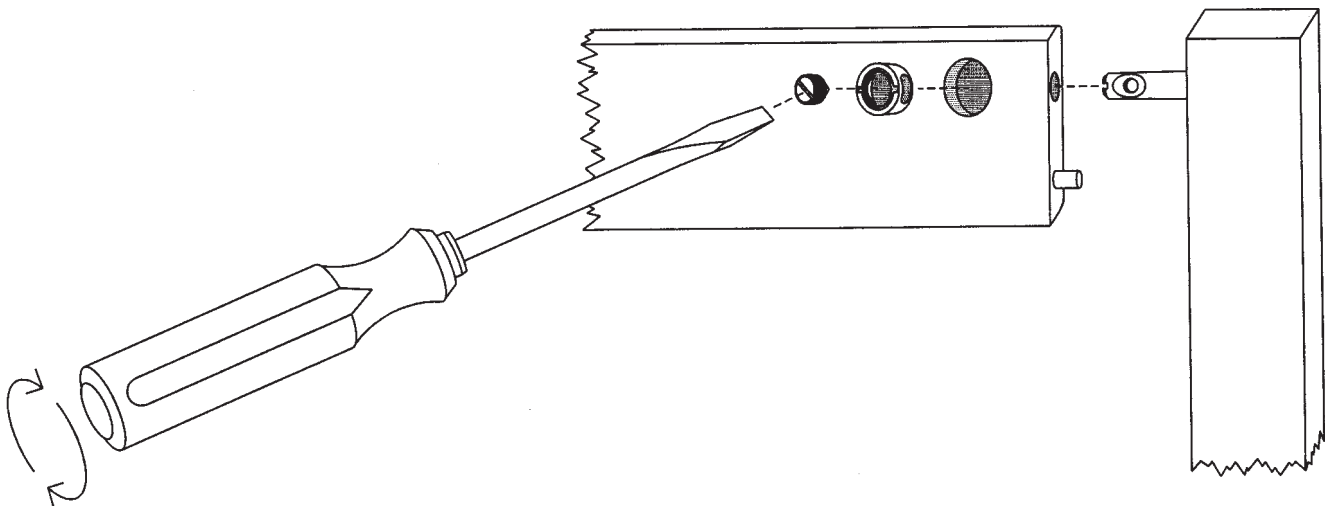
**ILLUSTRATION ONLY. See Steps 1 & 3 for bastion placement for this unit.**



Tap Bastion Posts into holes until threads engage wood. Turn Posts down with screwdriver or put small diameter screwdriver through hole in Post and turn down until solid shaft hits wood, then back Post out about  $\frac{1}{2}$  turn so that hole in Post is perpendicular to long length of Leg.



**Bastion Assembly**



## STEP 1 ASSEMBLE SIDE PANELS

A. Each side panel consists of two (2) legs, one (1) top side brace and one (1) glide support brace. When assembled, diagonal legs will be the same (i.e. Front Right/Back Left & Front Left/Back Right). Side panels are identical when assembled -- the drawer glides will determine left and right sides.

B. Tap a 3/4" pin in each end of the top side braces. Take each of the 4 legs and install one (1) bastion post per leg, on the side of the leg which also has two (2) pin holes for the glide support sticks. Locate post holes. Tap posts in with hammer until threads engage wood; turn posts down until the solid shaft hits the wood (all threads are into wood), then back post out until the hole in the post is perpendicular to the long length of the leg (about 1/2 turn).

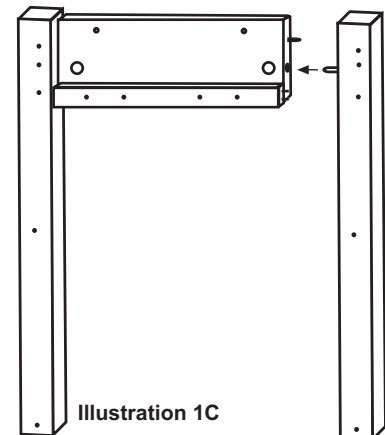
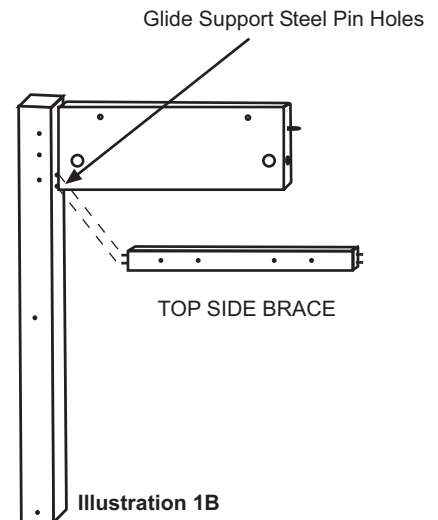
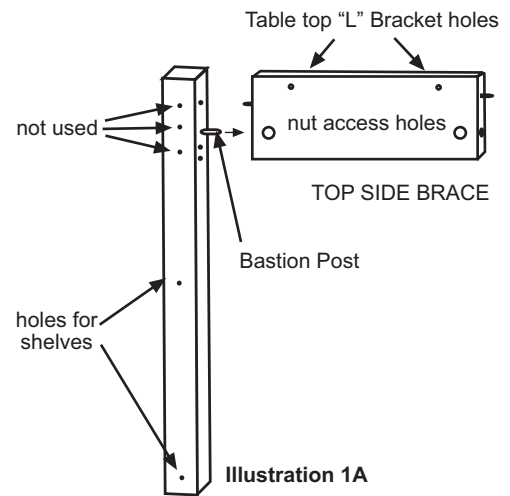
C. Lay out Front Left leg, one (1) top side brace and back left leg as in Illustration 1A. Note the two pilot holes for the L brackets are along the top inside of the top side brace.

D. Take the top side brace and drop a barrel-shaped bronze bastion nut into the nut access hole as illustrated. Threaded end of the nut faces out. Insert front left leg post into the hole in the end of the brace, through the side of the barrel nut, until the hole in the post can be seen through the threaded end of the nut. Insert the set screw into the nut and tighten down. The tip of the set screw will seek the center of the bastion post as it is tightened, leaving a tight joint. If the joint is loose, check to make sure the set screw is not cross-threaded or that the post is out too far (not threaded into leg deep enough.) See Instructions for Bastions illustrations on page 3 for clarification of assembly.

E. Insert two 3/4" pins into each end of the glide support brace. Insert brace pins into the holes on the inside of the left front leg as illustrated (4 pilot holes out).

F. Attach Back Left leg in same manner.

G. Repeat for other side panel.



## STEP 2

### ATTACH DRAWER GLIDES TO GLIDE SUPPORT STICKS

A. Take the Drawer Glides, extend them to their fullest. See Illustration 4. The Glide has 3 parts. Remove the furthest extended part (1) (smallest) by pushing the black plastic lever down -- then pull part out, separating it. This part will attach to the Drawer Side later. Attach the largest parts (2 & 3) to the Glide Support Stick using holes as illustrated. Attach with  $\frac{7}{16}$ " #6 panhead screws. About  $1\frac{1}{4}$ " of this Glide will overlap the Front Leg. See Illustration 5.

B. Repeat with other side.

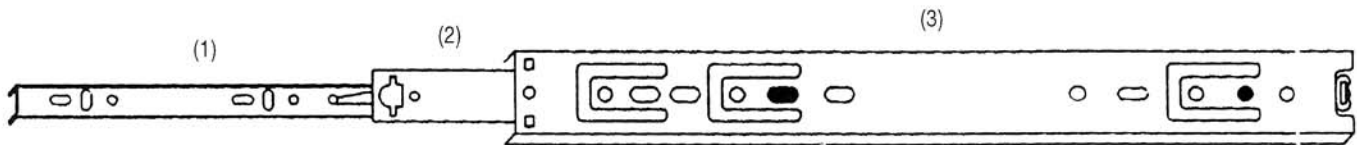
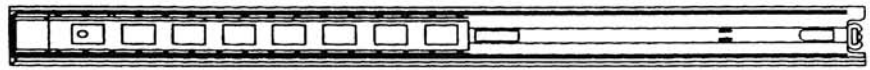
Illustration 4

Part (1) is attached to Drawer Side. This side out!

This end of (1) is flush behind inside of Drawer Front. --

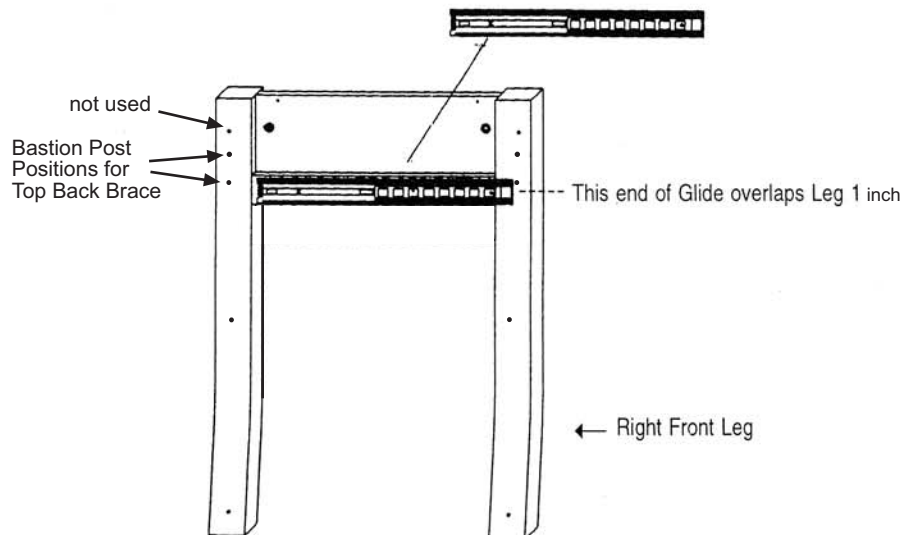


Parts (2) & (3) slid together -- Inside view.



This shows back side of Glide. Part (1) is separated from Parts (2) & (3).  
This side of Part (3) goes against Glide Support Brace. Screw holes are blackened.

Illustration 5

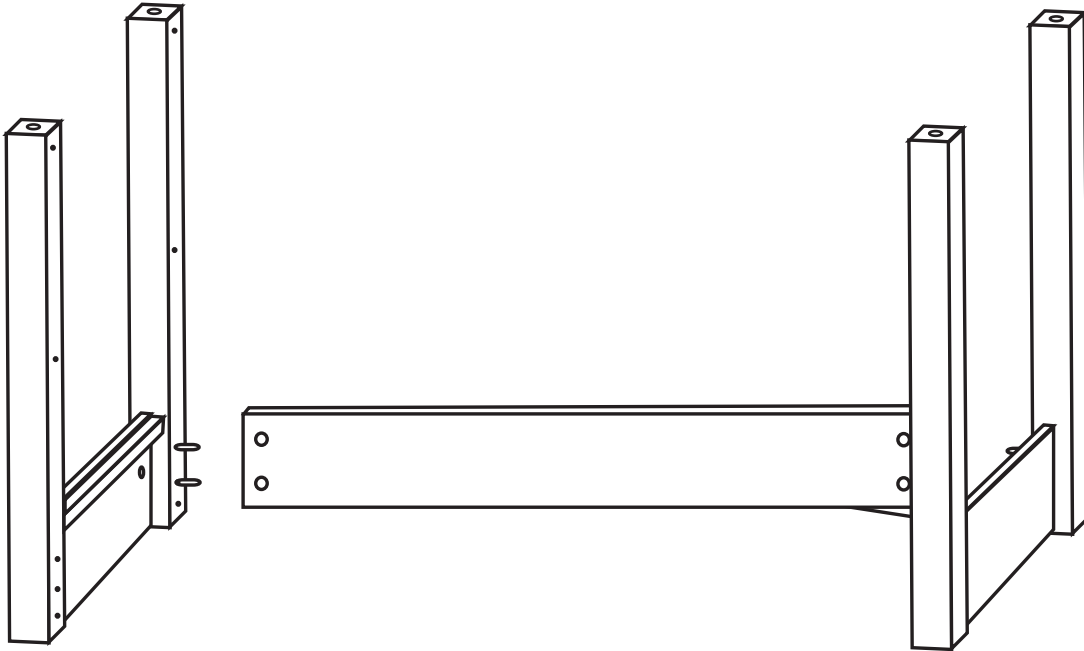


### PREPARE SIDE ASSEMBLIES FOR BACK BRACES

The Top Back Brace utilizes the Bastion system for attachment. Place the Bastion posts into their positions on the back legs only of both side assemblies.

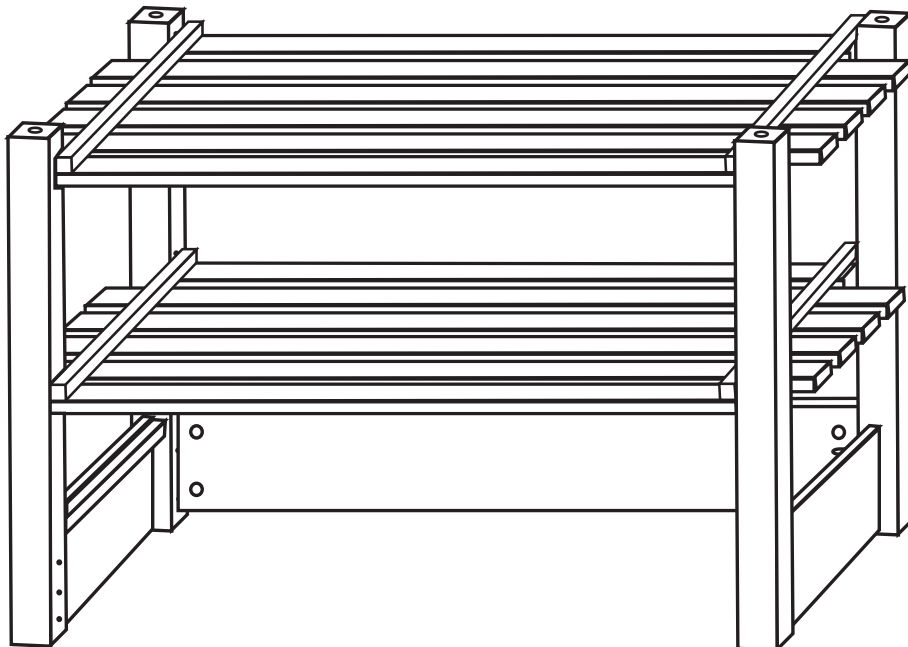
### STEP 3 ATTACH BACK BRACE

A. You may find it easiest to attach the back brace and shelves by inverting the island. Attach the back brace with bastions to the right and left side assembly.



### STEP 4 ATTACH SHELVES

A. It is recommended to get a friend to help hold the shelves in place as you attach them using 1-1/4" #8 screws.



## STEP 5 TABLE TOP PREPARATION & ATTACHING

Attach four (4) "L" brackets to the bottom side of the table top. Note the proper position of the "L" brackets. Then attach the drop leaf supports and hinges to the Table Top and Drop Leaf using 5/8" #8 screws.

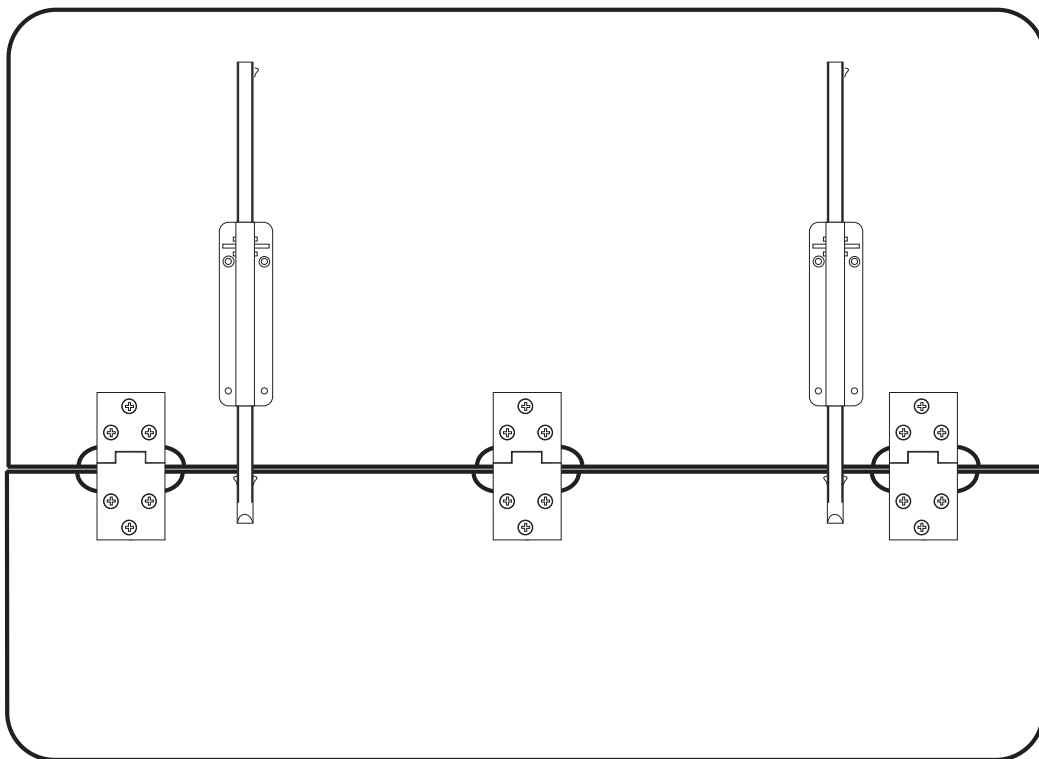
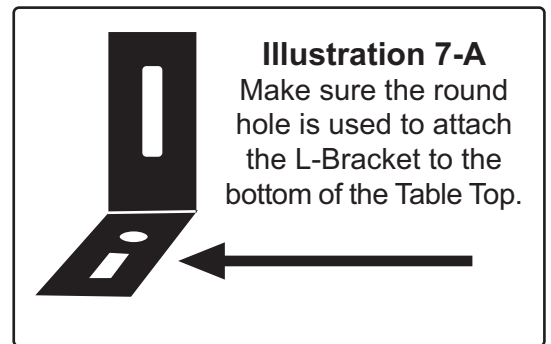
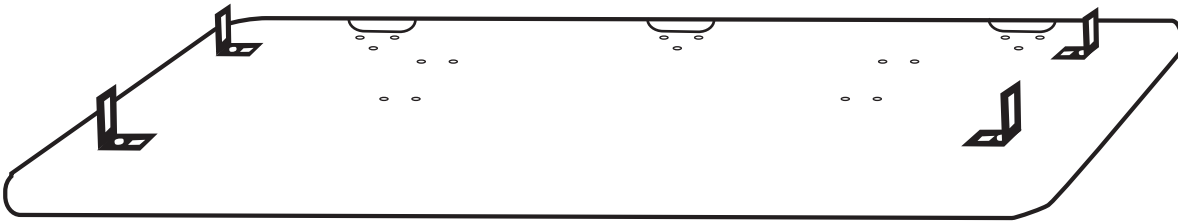
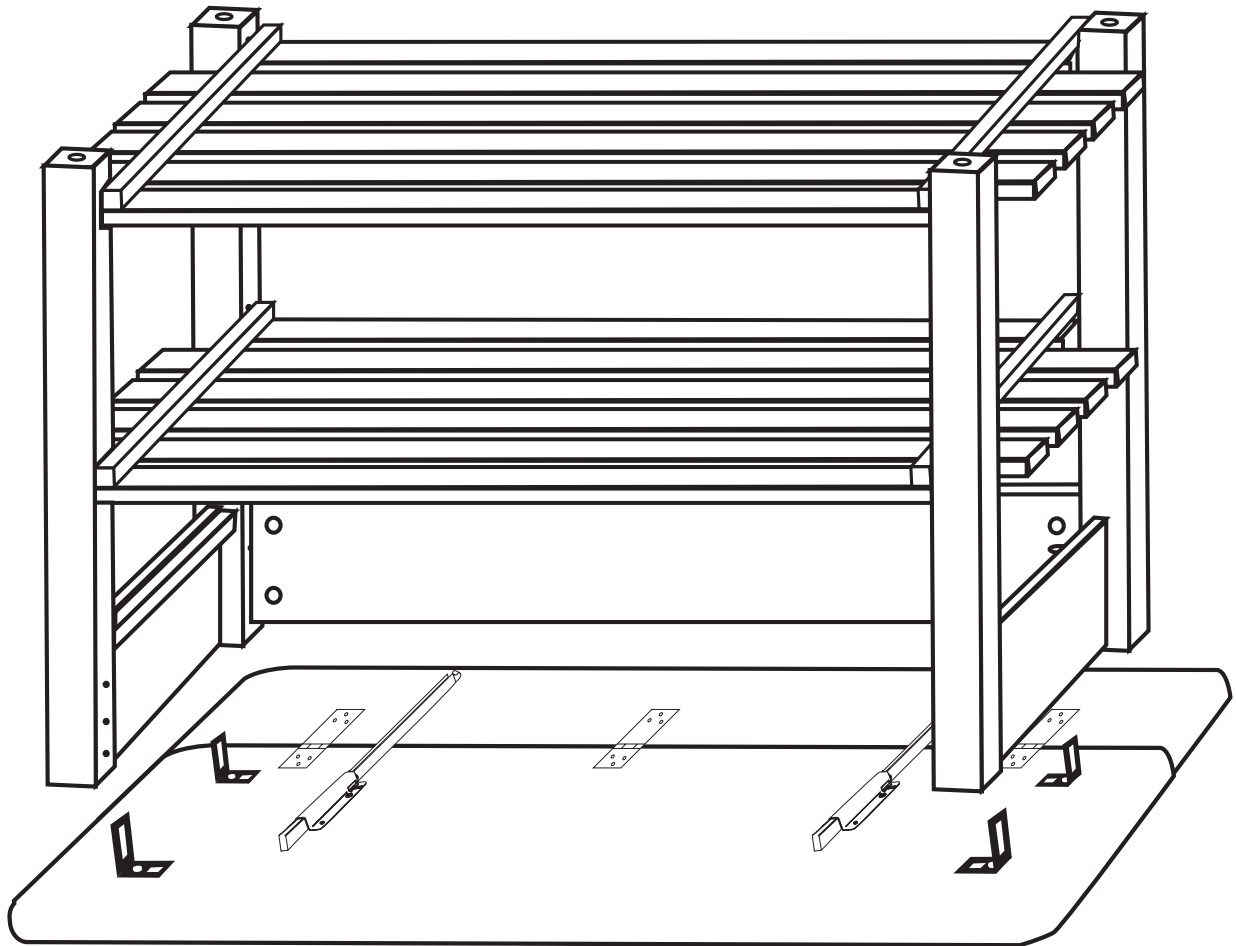


Illustration 7-B

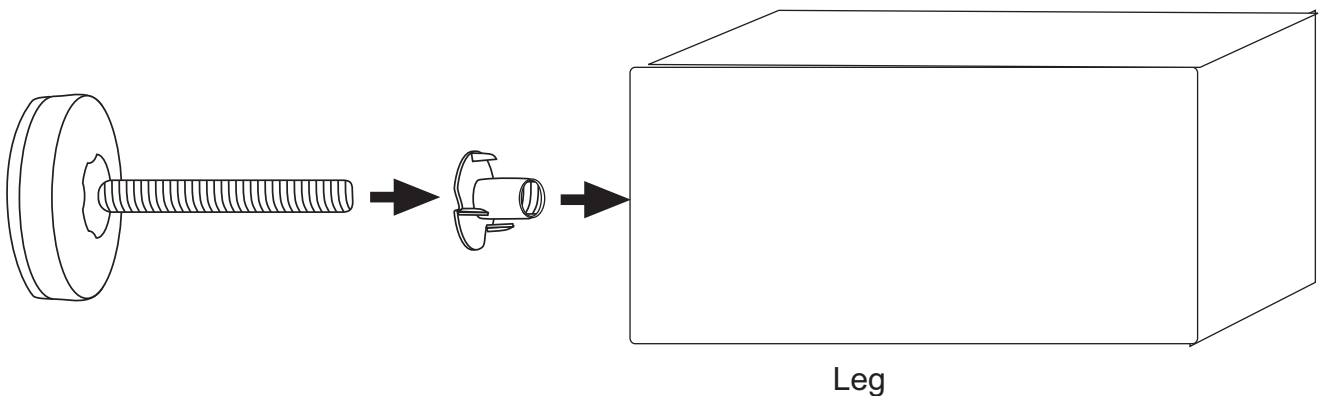
## STEP 6 ATTACH TABLE TOP

Utilizing the "L" brackets, attach the table top.



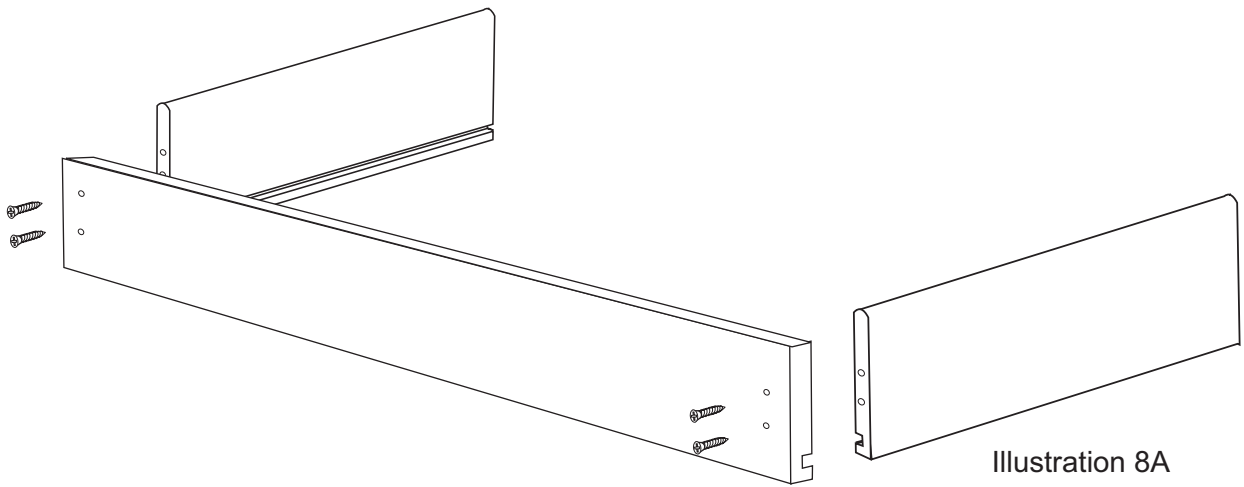
## STEP 7 INSERT LEVELER FEET

A. Hammer the threaded T-bolt into the predrilled hole on the bottom of each leg. Screw the leveler into the T-bolt. Height of each of four levelers can be adjusted to stabilize entire unit.



## STEP 8 Assemble Drawers

A. Attach the Drawer Back to the Left and Right Drawer Sides with four 1 ¼" #8 Screws. Make sure the slots that run the length of the Sides are aligned with the slot in the Drawer Back to accept the Drawer Bottom.



B. Slide in Drawer Bottom, best side up,

