



CATSKILL
C R A F T S M E N , I N C .

Assembly Instructions
Model 1447-1446

This unit is made of solid North American hardwood and has a factory applied oil finish. See the enclosed booklet for care instructions.

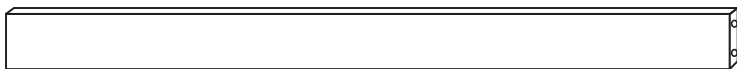


Model 1447-1446

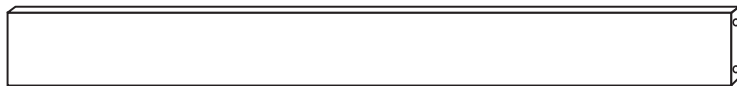
Model 1447/1446 Parts List



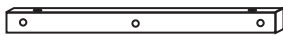
P/N: TT1447/1446
(1) Table Top 58" x 28" x 1-3/4"



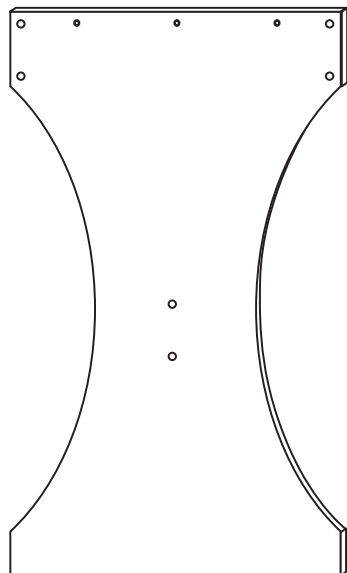
P/N: LCB1447/1446
(1) Lower Center Brace 39-1/2" x 3" x 3/4"



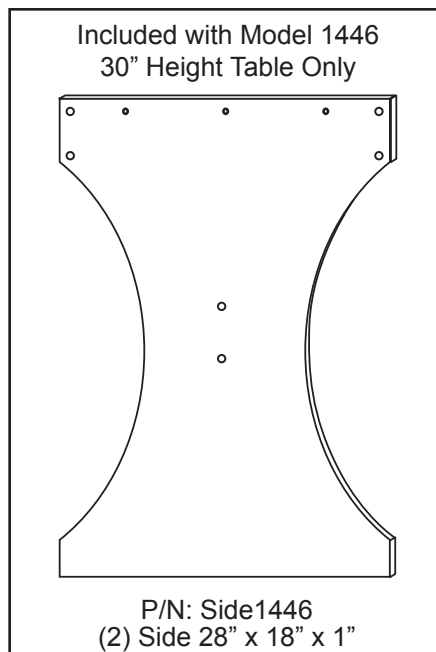
P/N: UFBB1447/1446
(2) Upper Front & Back Braces 39-1/2" x 5" x 3/4"



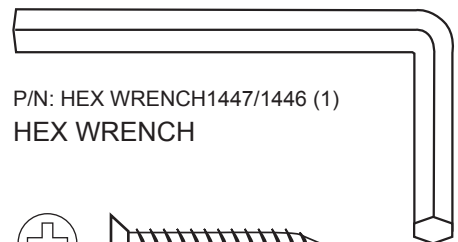
P/N: TTS1447/1446
(2) Table Top Stick 15" x 3/4" x 3/4"



P/N: Side1447
(2) Side 34" x 18" x 1"



P/N: Side1446
(2) Side 28" x 18" x 1"



P/N: HEX WRENCH1447/1446 (1)
HEX WRENCH



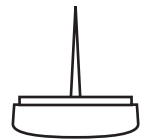
P/N: SKRU 1-1/4 (10)
1-1/4" #8 FLAT HEAD SCREW



P/N: SKRU 2 HEX (12)
2" HEX SCREW



P/N: WOOD PLUG (12)
5/8" WOOD PLUG

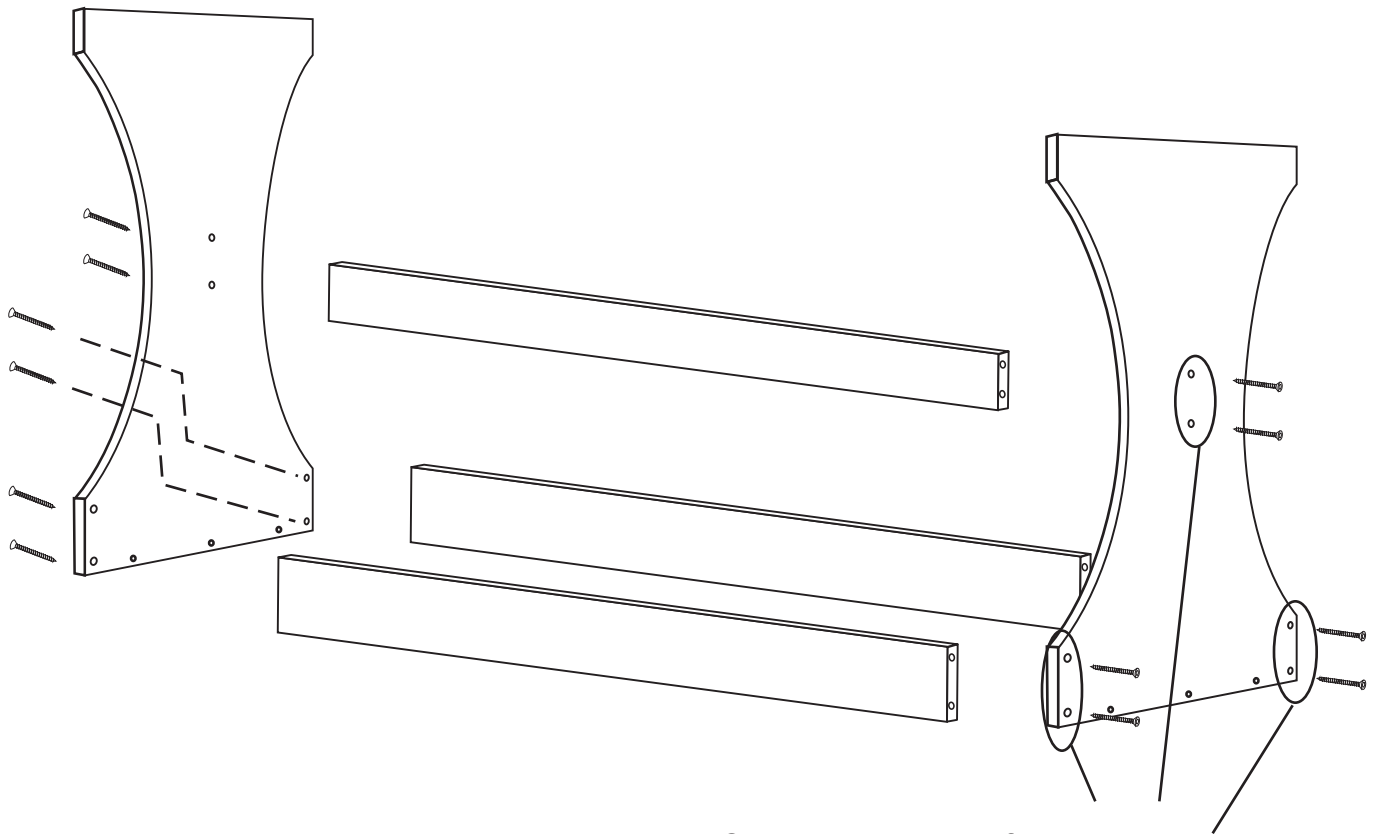


P/N: PIN LEVELER (4)
PIN LEVELER FOOT



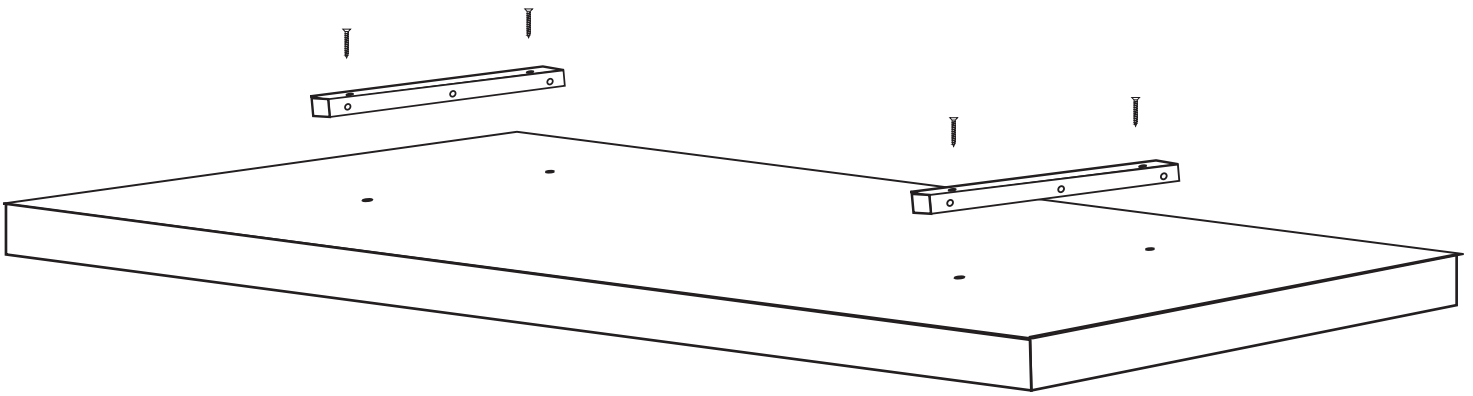
Model 1447/1446 Assembly Instructions

To make the assembly of your new Catskill Craftsmen unit go as smoothly as possible, lay out all of the components prior to beginning assembly. Make sure you have all the pieces necessary, if there are any missing or damaged parts, call us at 607-652-7321 for replacements. Read instructions thoroughly before beginning assembly to make sure you have a full comprehension of how to proceed from step to step.

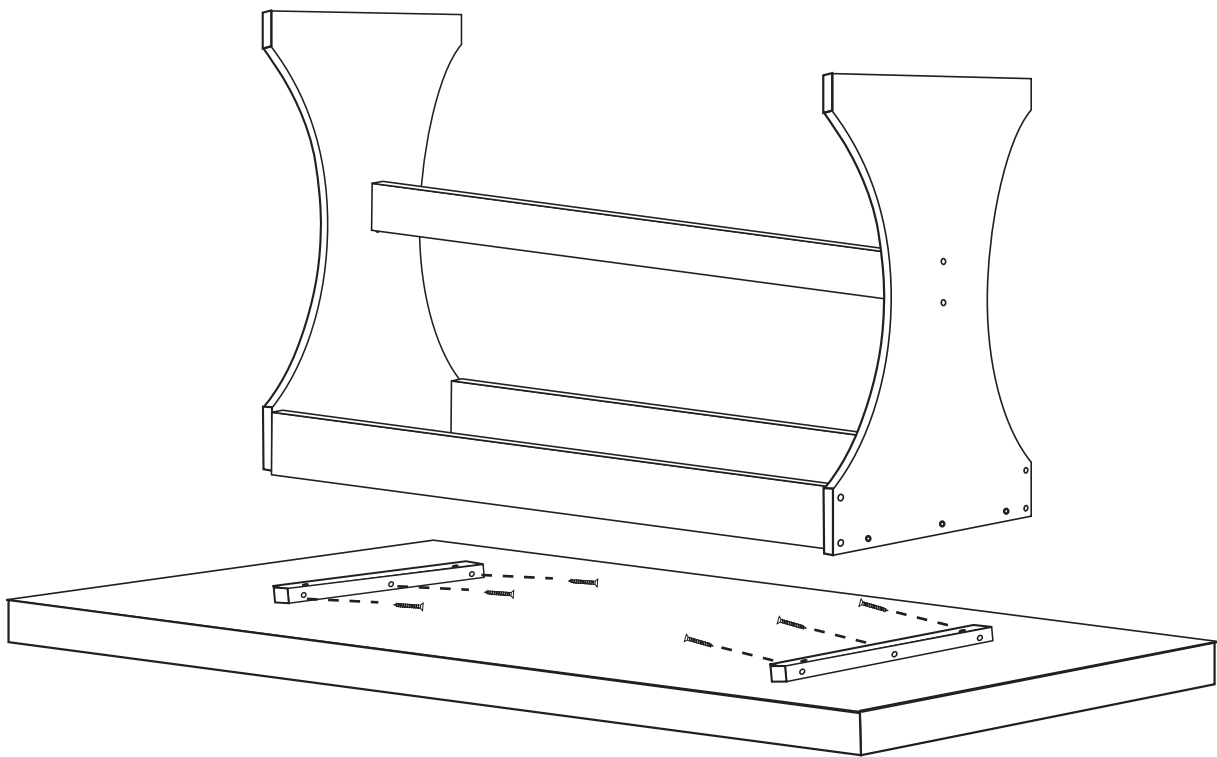


Counter sunk side of holes must point outward on both sides to allow for wooden plugs.

- 1** Assembly is easiest if you invert the Harvest table. Utilizing the 2" Hex screws, attach the Upper Front & Back Braces to each side. Then attach the Lower Center Brace, also using the 2" Hex screws. Make sure the counter sunk side of the holes are facing out on both sides, as wooden plugs will be tapped into place in a later step.



- 2** Using the 1-1/4" #8 Flat Head screws, attach the Table Top Sticks. Make sure the sticks are positioned such that sticks have counter sunk holes facing each other.



- 3** Using the 1-1/4" #8 Flat Head screws, attach the Table Top to the base.

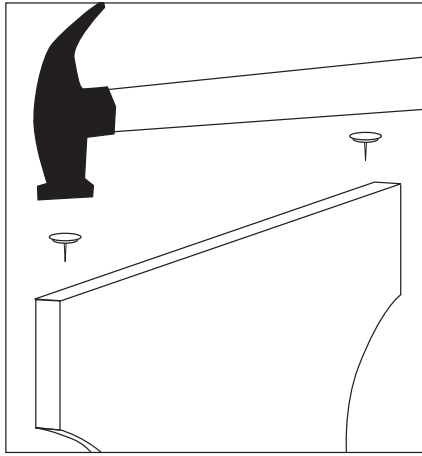
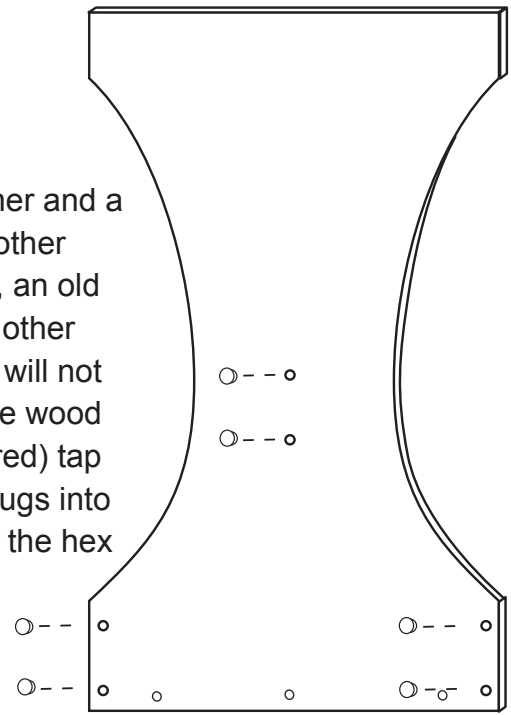


Diagram 4-1

- 4** Using a hammer, tap the Leveler feet into the bottom of each side as shown in diagram 4-1, approximately one inch away from each end.

- 5** Using a hammer and a buffer (like another block of wood, an old book or some other hard item that will not scratch into the wood when hammered) tap the wooden plugs into place to cover the hex screw holes.



- 6** Carefully right the harvest table and move into your desired location. Note that you should regularly oil both the butcher block surface as well as the base to increase longevity of the unit.



For continued beauty and long life of your Catskill Craftsmen cart, we recommend Catskill Craftsmen's Butcher Block Oil.

If you would like to purchase Butcher Block Oil direct from Catskill Craftsmen's factory, we offer a reduced price. For one eight ounce (8 fl. oz.) bottle, which is sufficient for two applications, simply send \$6.95 along with the completed coupon to the address below. If you wish to use MasterCard or Visa please visit our website www.catskillcraftsmen.com.



Catskill Craftsmen, Inc.
15 West End Ave.
Stamford, NY 12167-1296

CATSKILL
CRAFTSMEN, INC.
BUTCHER BLOCK OIL COUPON

Please send me _____ # of bottle(s) of the Catskill Craftsmen Butcher Block Oil for \$6.95. My Check or Money Order is enclosed for a total of \$_____.

Item Code: 1447-1446

NAME _____

ADDRESS _____

CITY _____

STATE _____ ZIP _____

Please make checks payable to: Catskill Craftsmen Inc.
15 West End Ave. Stamford, NY 12167-1296